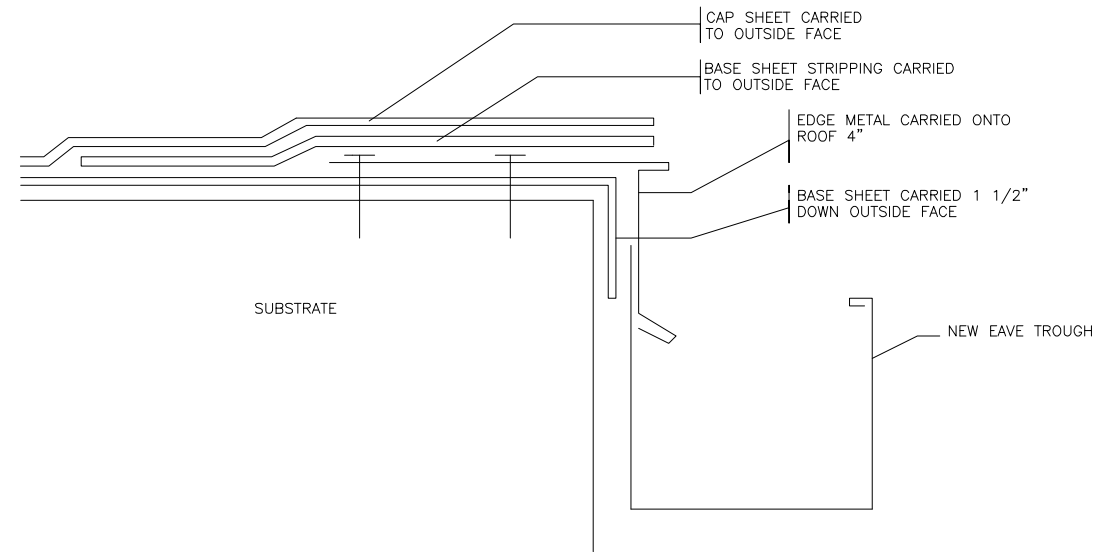
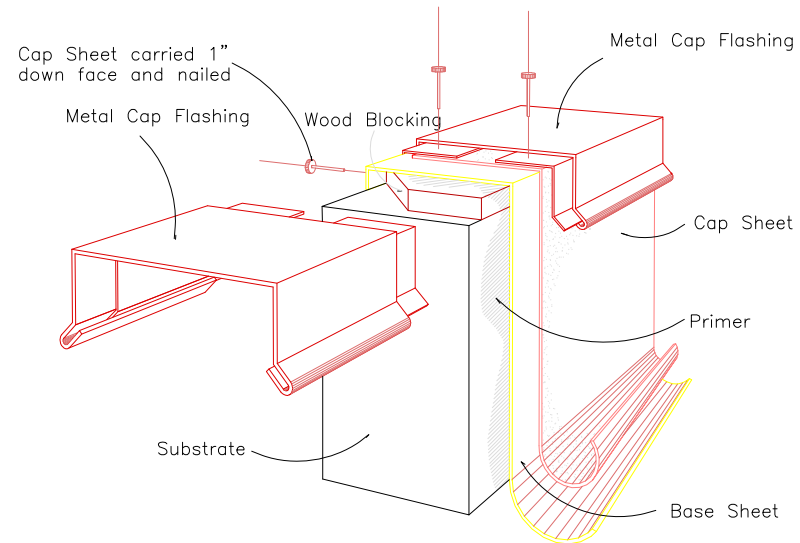


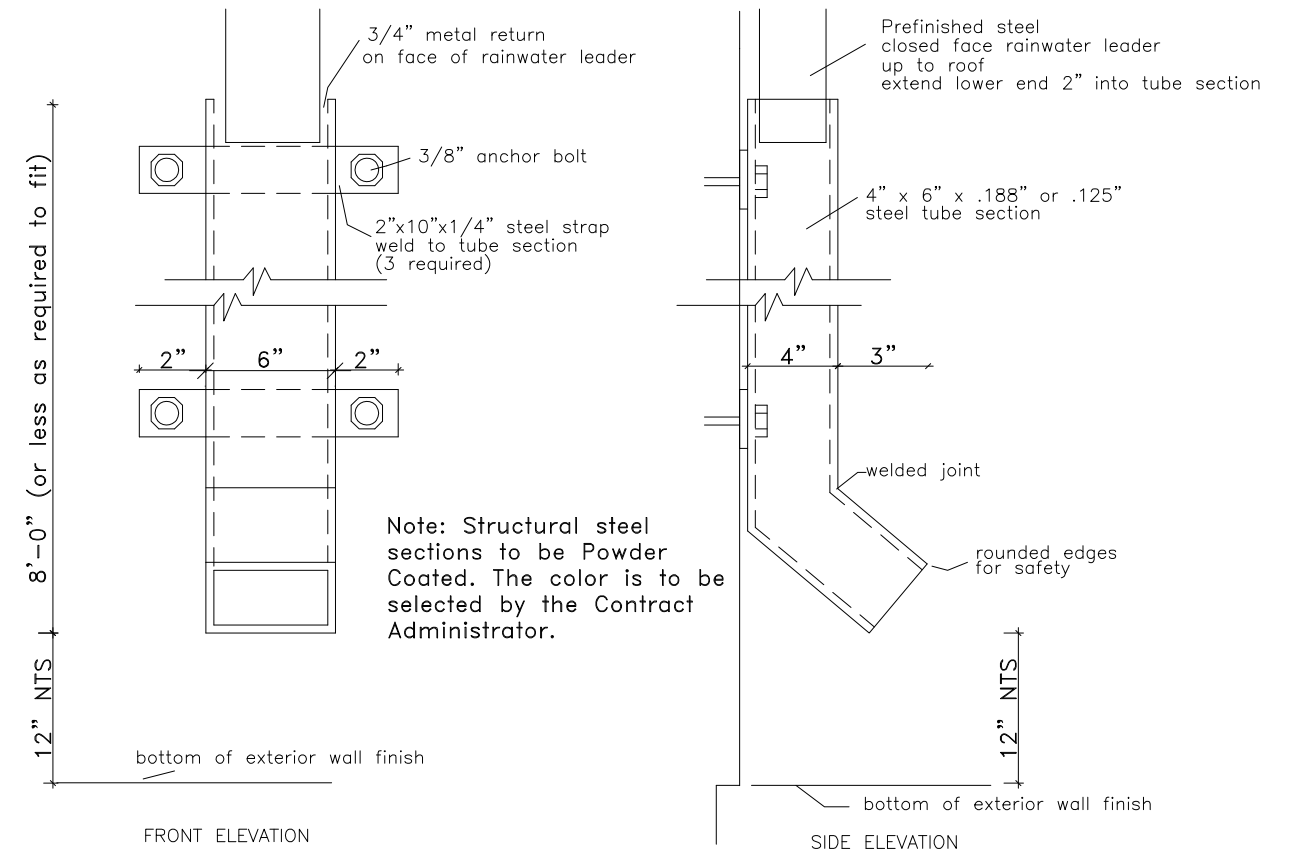
DRIP EDGE DETAIL



Divider Cap Flashing



Structural Down Pipes



AGASSIZ CONSULTING GROUP

809 Pipeline Road, Winnipeg, Manitoba
Phone: 697-8091 Fax: 697-8039

Project: Central CC / Freight House
200 Isabel Street
Winnipeg, MB

Date: January 9, 2008

Drawing No. D-1

File no: 3513-08 Scale: N.T.S.