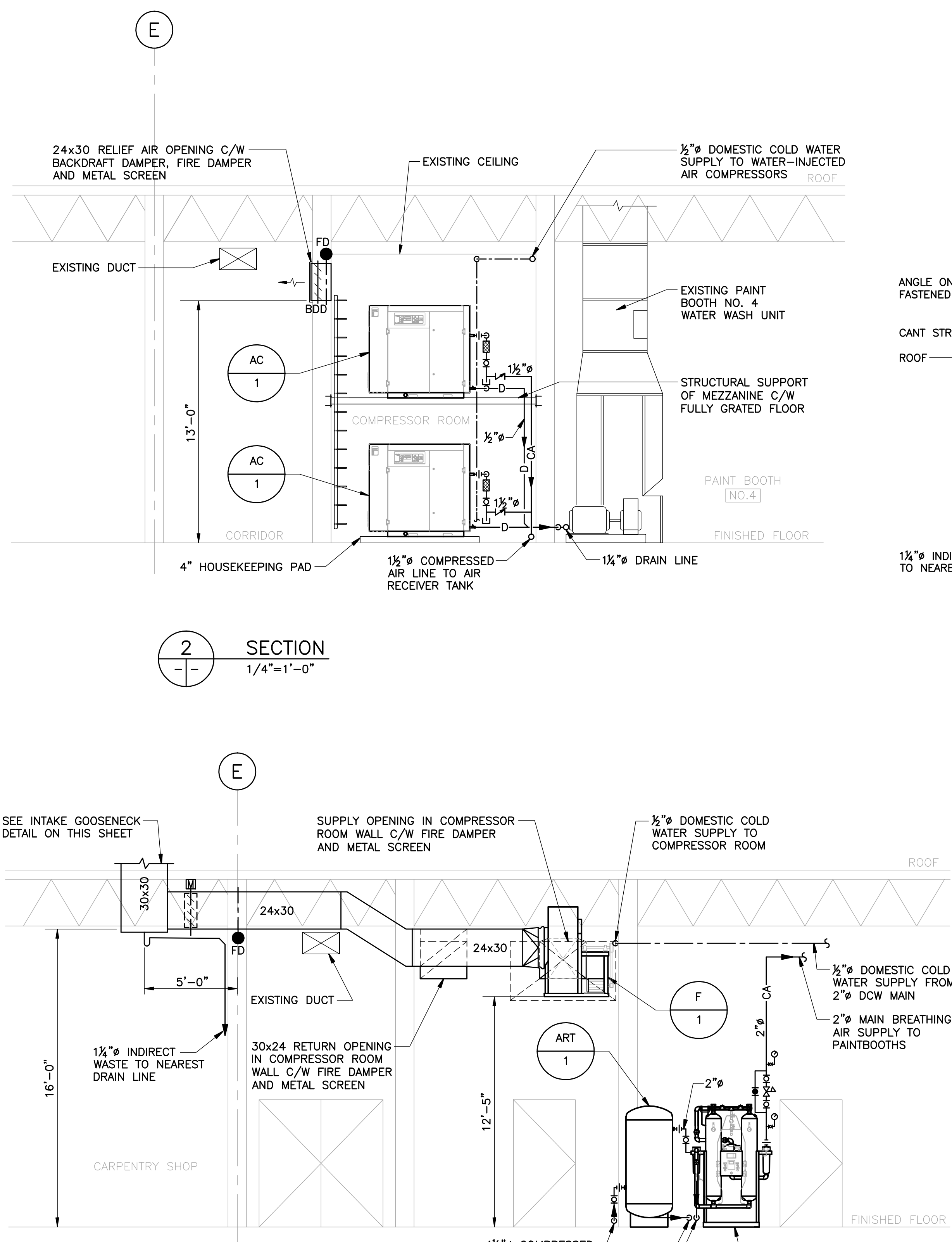
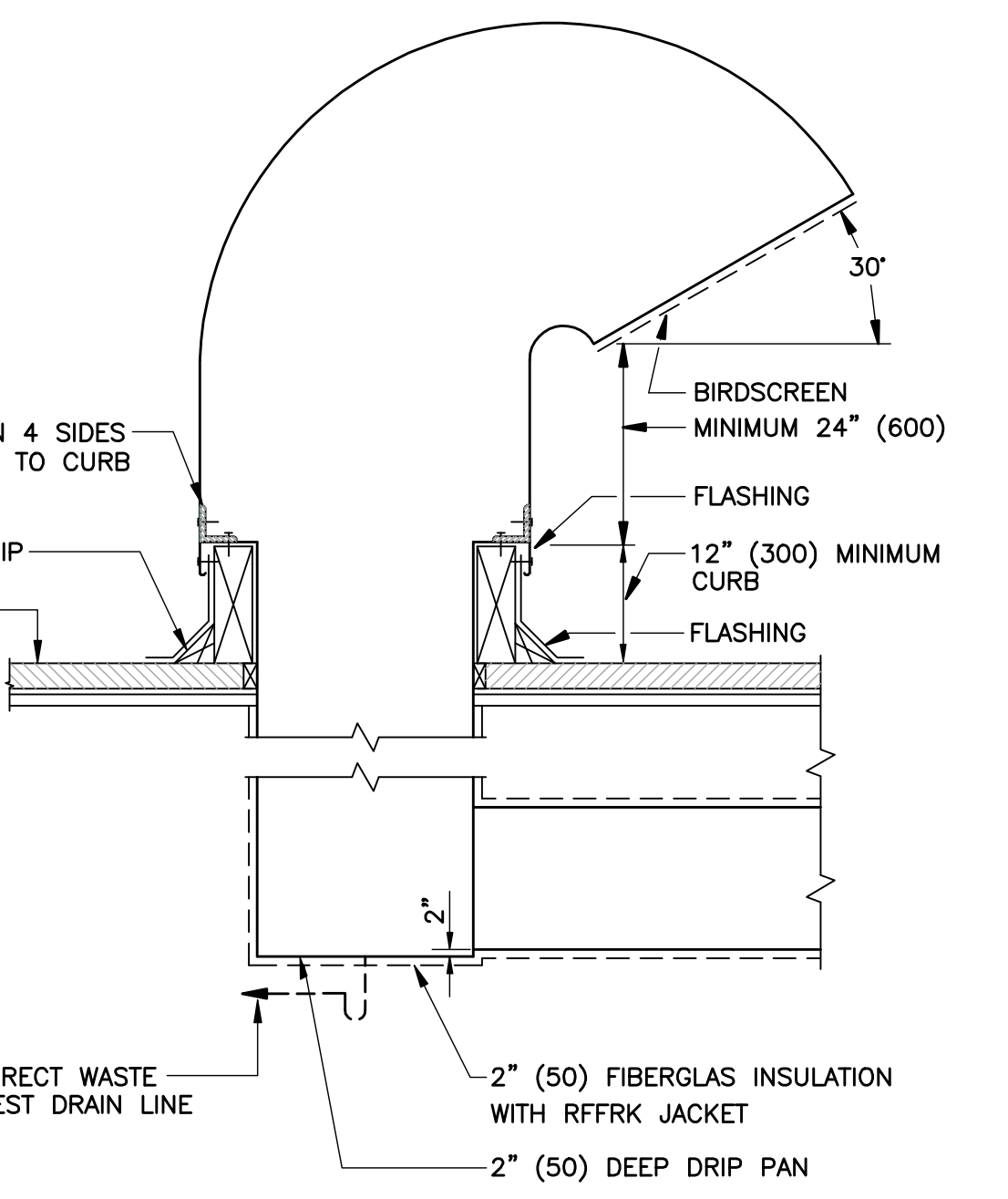


1 ENLARGED PLAN
1/4" = 1'-0"



2 SECTION
1/4" = 1'-0"

3 SECTION
1/4" = 1'-0"



4 INTAKE GOOSENECK DETAIL
N.T.S.

- GENERAL NOTES:**
1. DIMENSIONS ARE IN INCHES UNLESS NOTED OTHERWISE.
 2. CONTRACTOR SHALL FIELD VERIFY ALL DIMENSIONS AND ELEVATIONS PRIOR TO INSTALLATION.
 3. SEE DRAWING M-0001 FOR SCHEMATIC DIAGRAM AND LEGEND.
 4. PROVIDE FRAMING ON NEW DUCT WALL OPENINGS.
 5. FAN (F-1) DISCHARGE CONFIGURATION VIEWED FROM MOTOR SIDE SHALL BE COUNTERCLOCKWISE BOTTOM HORIZONTAL.

BREATHING AIR FILTRATION/PURIFICATION UNIT SCHEDULE

TAG NO.	SERVICE	LOCATION	FREE AIR DELIVERY L/s (CFM)	WORKING PRESSURE kPa (PSI)	MODEL	REMARKS
AFD-1	AC-1	SIGN/PAINT PREPARATION SHOP	70 (150)	690 (100)	APPL AP-150-BA	TWINTOWER AIR DRYER C/W 250 CFM APF0-250-X1 AFTERFILTER

AIR RECEIVER TANK SCHEDULE

TAG NO.	SERVICE	LOCATION	CAPACITY LITERS (IMP GAL.)	WORKING PRESSURE kPa (PSI)	DIMENSION DIAMETER mm (in.) HEIGHT mm (in.)	REMARKS
ART-1	AC-1	SIGN/PAINT PREPARATION SHOP	800 (177)	690 (100)	750 (30) 1800 (72)	VERTICAL TANK TO CSA B51 AND ASME SECTION VIII

FAN SCHEDULE

TAG NO.	SERVICE	LOCATION	AIR FLOW RATE L/s (CFM)	STATIC PRESSURE Pa (IN. WATER)	MOTOR kW (HP)	MODEL	REMARKS
F-1	COMPRESSOR ROOM VENTILATION	SIGN/PAINT PREPARATION SHOP	3630 (7700)	375 (1.50)	2.24 (3.0)	GREENHECK SWB-227-30	CENTRIFUGAL UTILITY SISW

AIR COMPRESSOR SCHEDULE

TAG NO.	SERVICE	LOCATION	FREE AIR DELIVERY L/s (CFM)	WORKING PRESSURE kPa (PSI)	MOTOR kW (HP)	MODEL	TYPE	REMARKS
AC-1	PAINT SHOPS BREATHING AIR	COMPRESSOR ROOM	60 (127)	690 (100)	22.3 (30)	COMPAIR D22H RS	AIR COOLED ROTARY SCREW	OIL-LESS AIR COMPRESSOR PACKAGE WITH VARIABLE SPEED INVERTER MOTOR

NO.	DESCRIPTION	DATE	ISSUED BY
00	ISSUED FOR TENDER	08.05.27	LS

REVISIONS/ISSUE

THE CONTENT OF THIS DOCUMENT IS NOT INTENDED FOR THE USE OF, NOR IS IT INTENDED TO BE RELIED UPON BY ANY PERSON, FIRM OR CORPORATION, OTHER THAN THE CLIENT AND WARDROP ENGINEERING INC. WARDROP ENGINEERING DENIES ANY LIABILITY WHATSOEVER TO OTHER PARTIES FOR DAMAGES OR INJURY SUFFERED BY SUCH THIRD PARTY ARISING FROM USE OF THIS DOCUMENT BY THEM, WITHOUT THE EXPRESS PRIOR WRITTEN AUTHORITY OF WARDROP ENGINEERING AND OUR CLIENT. THIS DOCUMENT IS SUBJECT TO FURTHER RESTRICTIONS IMPOSED BY THE CONTRACT BETWEEN THE CLIENT AND WARDROP ENGINEERING INC. AND THESE PARTIES' PERMISSION MUST BE SOUGHT REGARDING THIS DOCUMENT IN ALL OTHER CIRCUMSTANCES.

CITY OF WINNIPEG
TRANSIT DEPARTMENT

WARDROP | Engineering Inc.

PROJECT NAME
WINNIPEG TRANSIT - OSBORNE STREET GARAGE
PAINT BOOTH BREATHING AIR SYSTEM UPGRADE

DRAWING DESCRIPTION
**ENLARGED COMPRESSOR ROOM PLAN
EQUIPMENT LAYOUT,
SECTION, DETAIL AND SCHEDULES**

PRELIMINARY DRAWING NOT TO BE USED FOR CONSTRUCTION	DESIGNED BY: WGN/LS	DRAWN BY: WGN	CHECKED BY: LS
	APPROVED BY: AR		
	SCALE: AS NOTED	DATE: 08.03.20	
	DRAWING NO. 0829720100-DWG-M0002		REV. 00



1/4" = 1'-0"