



File Name

Date

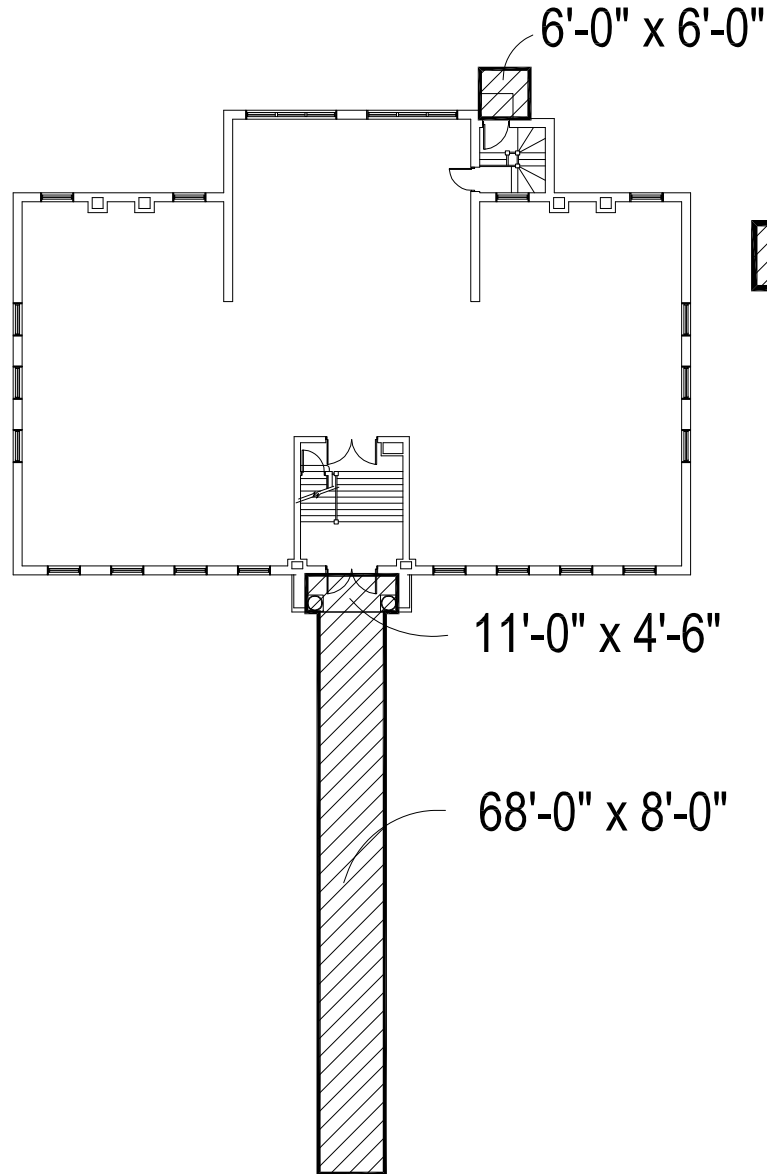
Sheet No.

Description

Project No.

Address

NOTES:



AREA TO BE CLEANED
630 SQUARE FEET
SNOW REMOVAL

NO.	REVISION/DESCRIPTION	BY	DATE
SEALS			

DRAWN BY	CHECKED BY	APPROVED
DATE	USER APPROVAL	
THE CITY OF WINNIPEG PLANNING, PROPERTY AND DEVELOPMENT DEPARTMENT 3-85 GARRY STREET R3C 4K4 PROJECT		

20 WESTGATE
CORNISH LIBRARY

SHEET TITLE
SNOW REMOVAL

0020WESP

SCALE	PROJECT NO.	SHEET NO.
N.T.S.		