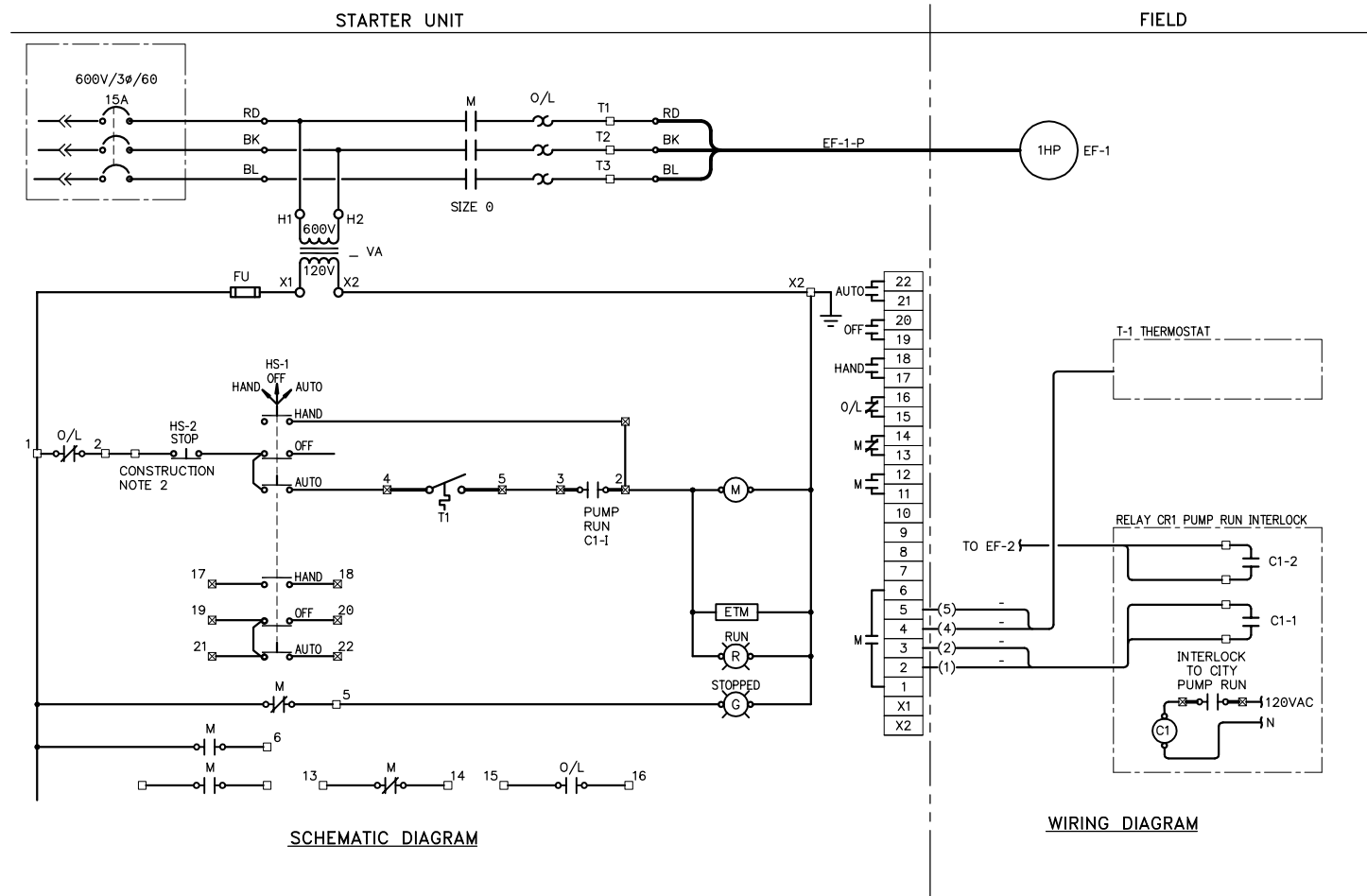


File Name: P:\Projects\2006\06-0107-15\Elect\Draws\06-0107-15-E3.dwg - Tab: E3 Plotted By: mprevoost 06/20/2008 [Fri 11:28am]

CONSTRUCTION NOTES:

1. REVISE EXISTING LOCAL CONTROL PANEL WRING TO MATCH SCHEMATIC.
2. REMOVE LOCK FROM STOP PUSHBUTTON LOCAL TO MOTOR.



LEGEND

- () CONDUCTOR IDENTIFICATION
- STARTER TERMINALS
- ⊠ CONTROL PANEL TERMINALS
- FIELD WIRING
- PANEL WIRING
- WIRE CONNECTION
- ⊙ PILOT LIGHT
- ETM ELAPSED TIME METER



| | |
|-------------------------|---------------|
| B.M. | XX-XXX |
| ELEV. | XXX.XXX |
| DESIGNED BY | AP |
| CHECKED BY | AP |
| DRAWN BY | GCN |
| APPROVED BY | |
| SCALE: | AS NOTED |
| ISSUED FOR CONSTRUCTION | 19/06/08 AP |
| NO. REVISIONS | DATE BY |
| | DATE 17/01/08 |

KGS GROUP
 CONSULTING ENGINEERS & PROJECT MANAGERS
 WINNIPEG (204) 896-1209
 THUNDER BAY (807) 345-2233

DESIGNED BY AP
 CHECKED BY AP
 DRAWN BY GCN
 APPROVED BY
 SCALE: AS NOTED
 RELEASED FOR CONSTRUCTION: DATE

ENGINEER'S SEAL
 ORIGINAL DRAWING
 SIGNED BY
 A. PAWLKIEWICH
 19/06/08

CONSULTANT DRAWING NO.
 06-0107-15-E3

THE CITY OF WINNIPEG
 WATER & WASTE DEPARTMENT

BANNATYNE FLOOD PUMPING STATION
 BUILDING UPGRADE
ELECTRICAL
EF-1 SCHEMATIC
AND WIRING DIAGRAM

SHEET 03 OF 04
 CAD FILE DRAWING NUMBER 06-0107-15-E3
 CITY DRAWING NUMBER LD-5060