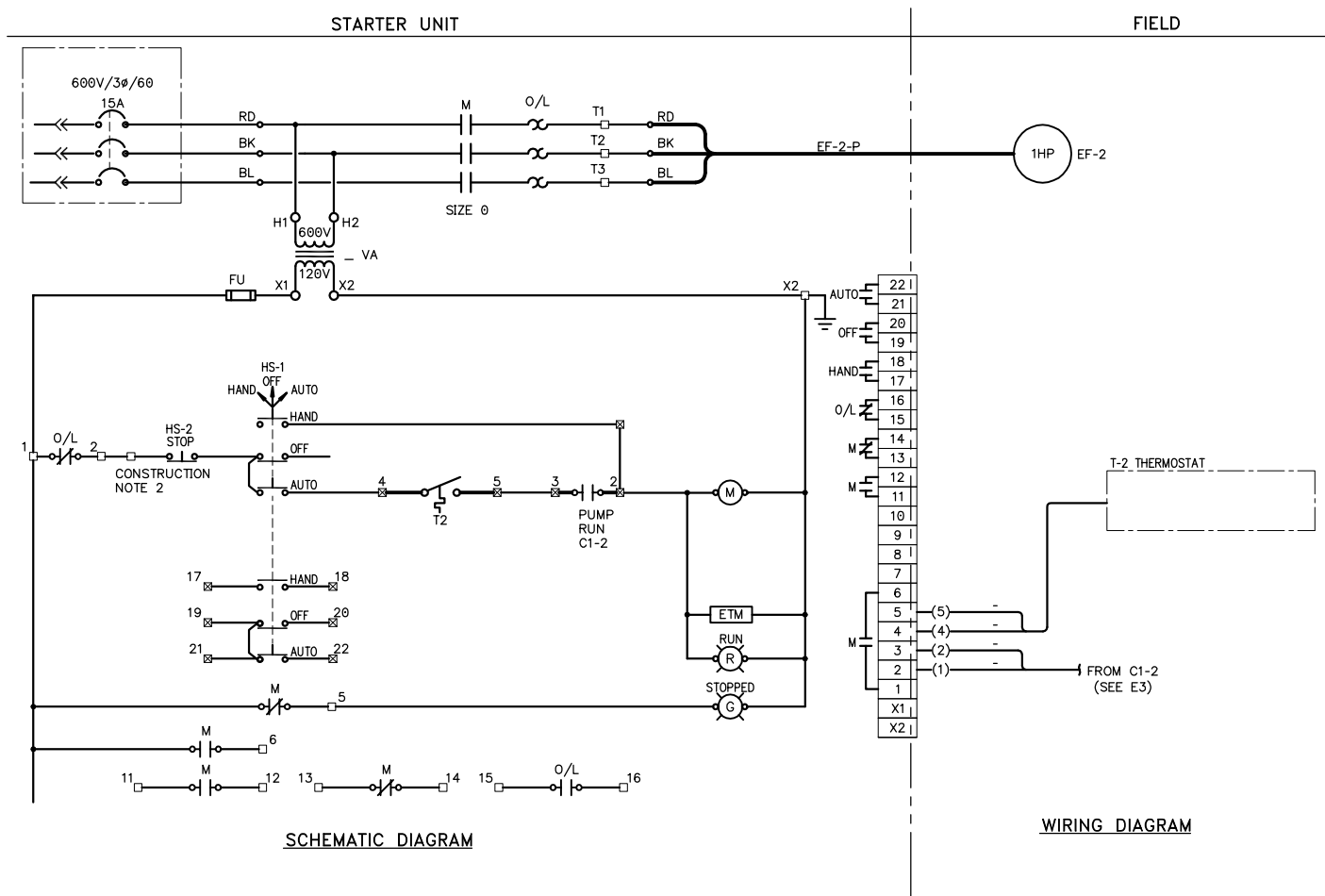


File Name: P:\Projects\2006\06-0107-15\Elect\Dwg\06-0107-15-E4.dwg - Tab: E4 Plotted By: mprevoost 06/20/2008 [Fri 11:29am]

CONSTRUCTION NOTES:

1. REVISE EXISTING LOCAL CONTROL PANEL WRING TO MATCH SCHEMATIC.
2. REMOVE LOCK FROM STOP PUSHBUTTON LOCAL TO MOTOR.



LEGEND

- () CONDUCTOR IDENTIFICATION
- STARTER TERMINALS
- ⊠ CONTROL PANEL TERMINALS
- FIELD WRING
- PANEL WRING
- WIRE CONNECTION
- PILOT LIGHT
- ETM ELAPSED TIME METER

APEGM
Certificate of Authorization
KGS Group
No. 245 Date: 2008-06-19

B.M. XX-XXX ELEV. XXX.XXX	KGS GROUP CONSULTING ENGINEERS & PROJECT MANAGERS WINNIPEG (204) 896-1209 THUNDER BAY (807) 345-2233		ENGINEER'S SEAL
DESIGNED BY AP	CHECKED BY AP	ORIGINAL DRAWING SIGNED BY A. PAWLKIEWICH 19/06/08	
DRAWN BY GCN	APPROVED BY	CONSULTANT DRAWING NO. 06-0107-15-E4	
SCALE: AS NOTED	RELEASED FOR CONSTRUCTION:	DATE 17/01/08	
0 ISSUED FOR CONSTRUCTION 19/06/08 AP	NO. REVISIONS	DATE	BY

<p>THE CITY OF WINNIPEG WATER & WASTE DEPARTMENT</p>		<p>SHEET 04 OF 04</p> <p>CAD FILE DRAWING NUMBER 06-0107-15-E4</p> <p>CITY DRAWING NUMBER LD-5061</p>
<p>BANNATYNE FLOOD PUMPING STATION BUILDING UPGRADE ELECTRICAL EF-2 SCHEMATIC AND WIRING DIAGRAM</p>		