

EAST VESTIBULE 102

NOTE:

EAST VESTIBULE 102 IS A DUPLICATE MIRROR COPY OF EAST VESTIBULE 101

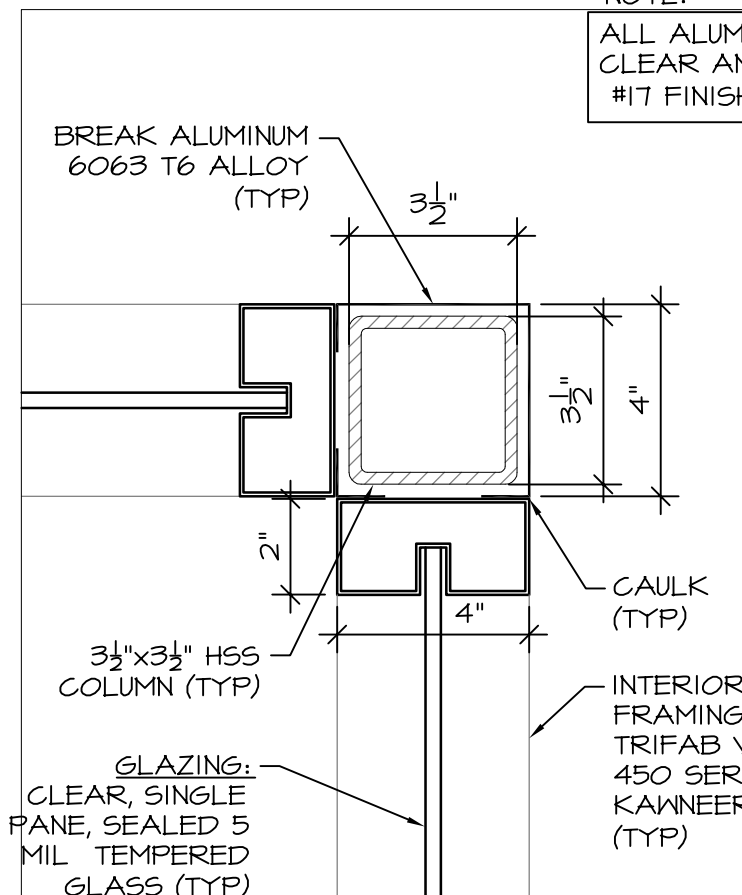
EAST VESTIBULE 101

**KEY PLAN**

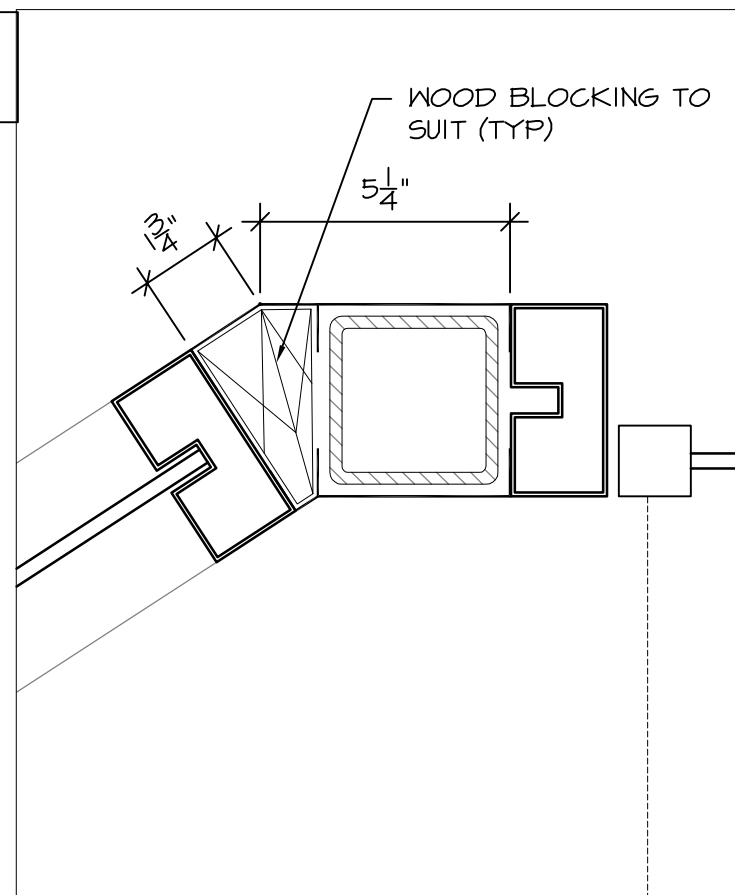
NTS

NOTE:

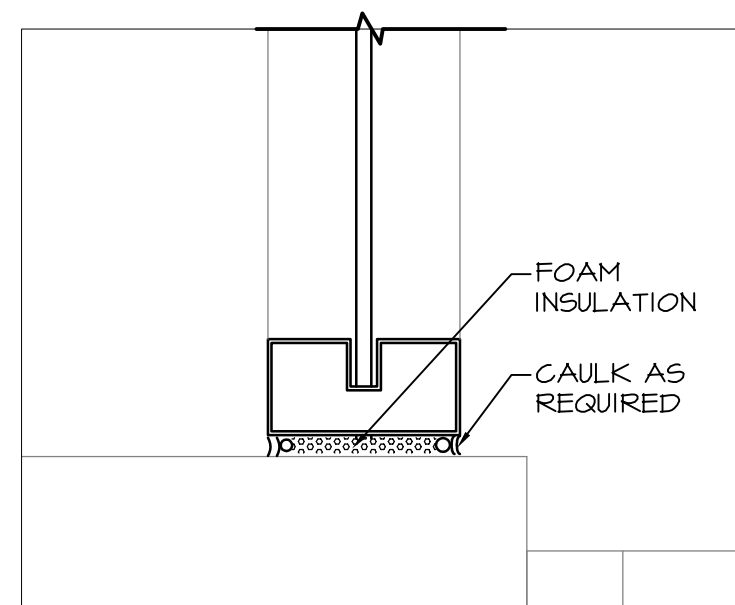
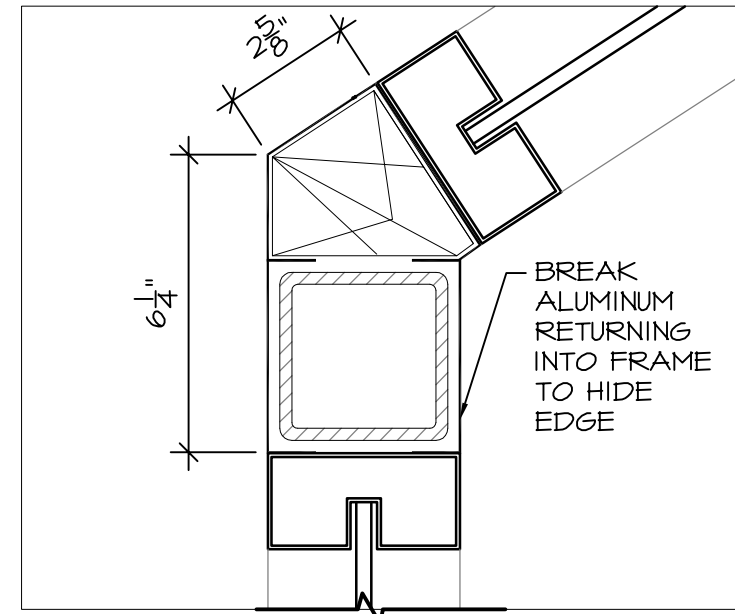
ALL ALUMINUM TO BE CLEAR ANODIZED #17 FINISH (TYP)



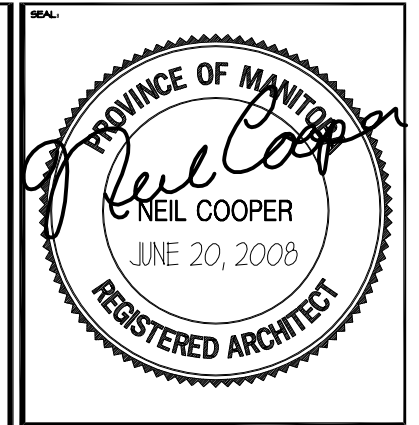
**1** DETAIL  
A4.1/A2.1 SCALE: 3"=1'-0"



**2** DETAIL  
A4.1/A2.1 SCALE: 3"=1'-0"



**3** DETAIL  
A4.1/A2.1 SCALE: 3"=1'-0"



REV	DESCRIPTION	DATE	BY
1	ISSUED FOR TENDER	JUNE 20, 2008	DG
0	ISSUED FOR REVIEW	APR 10, 2008	DG



THIS DRAWING MUST NOT BE SCALED.  
THE GENERAL CONTRACTOR SHALL VERIFY ALL DIMENSIONS, DATINGS AND LEVELS PRIOR TO COMMENCEMENT OF WORK AND IS HELD RESPONSIBLE FOR REPORTING ANY DISCREPANCY OR OMISSION TO NEIL COOPER ARCHITECT INC IMMEDIATELY.  
THIS DRAWING IS THE EXCLUSIVE PROPERTY OF NEIL COOPER ARCHITECT INC AND CAN BE REPRODUCED ONLY WITH THE PERMISSION OF NEIL COOPER ARCHITECT INC, IN WHICH CASE THE REPRODUCTION MUST BEAR THEIR NAME AS THE ARCHITECTURAL FIRM.

DRAWING: **EAST VESTIBULE DETAILS**

PROJECT: **PAN AM POOL VESTIBULES**

25 Poseiden Bay - Winnipeg, MB

Neil Cooper Architect Inc.  
10-395 Berry Street, Winnipeg, Manitoba R3J 1N6

Tuplin Group Inc.  
33-101 Hutchings Street, Winnipeg, Manitoba R2X 2V4

DRAWN BY: DG	CHECKED BY: NC	SHEET NO: A4.1R1	REV NO:
DATE: OCT 9, 2007			
SCALE: As Noted			
FILE: 07051/Contract Doc/Contract Dwgs/Arch Dwgs/VES-A4.1R1.dwg			