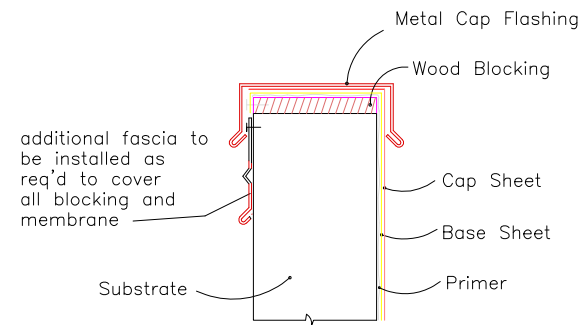
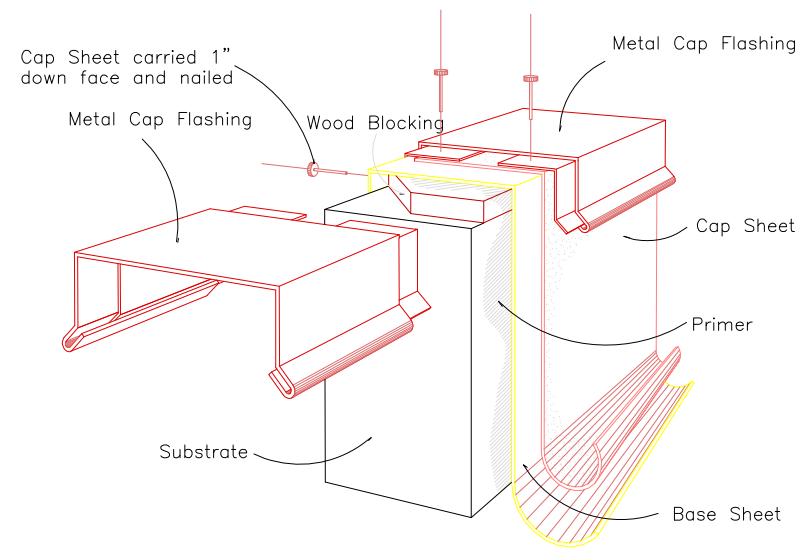
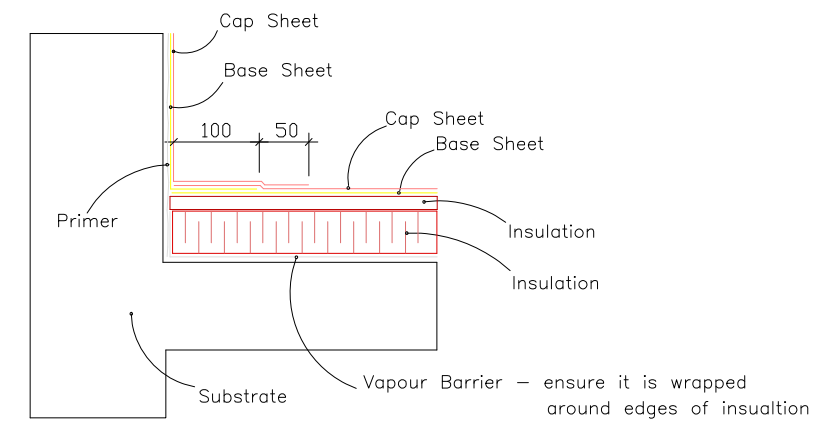


Typical Parapet Cap



Typical Roof Edge Detail



Note: Modified Bitumen stippling used in conjunction with 4 ply felt membrane is to have base sheet extend 12" onto flat and cap sheet 18" onto flat.

AGASSIZ CONSULTING GROUP

809 Pipeline Road, Winnipeg, Manitoba
Phone: 697-8091 Fax: 697-8039

Project: Varsity View CC
315 Laxdal Road
Winnipeg, MB

Date: January 7, 2008

Drawing No. D-1

File no: 3124-08 Scale: N.T.S.