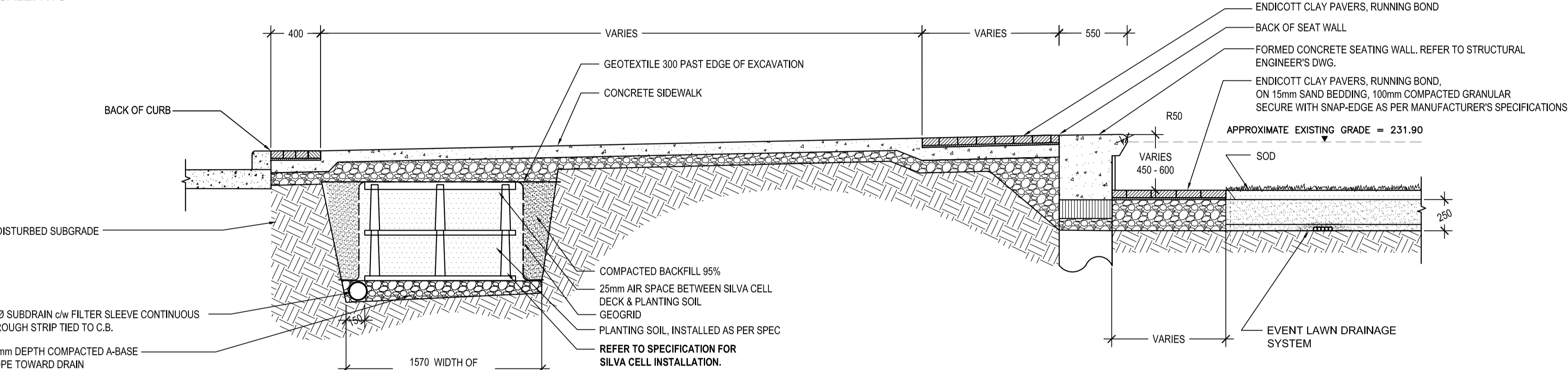
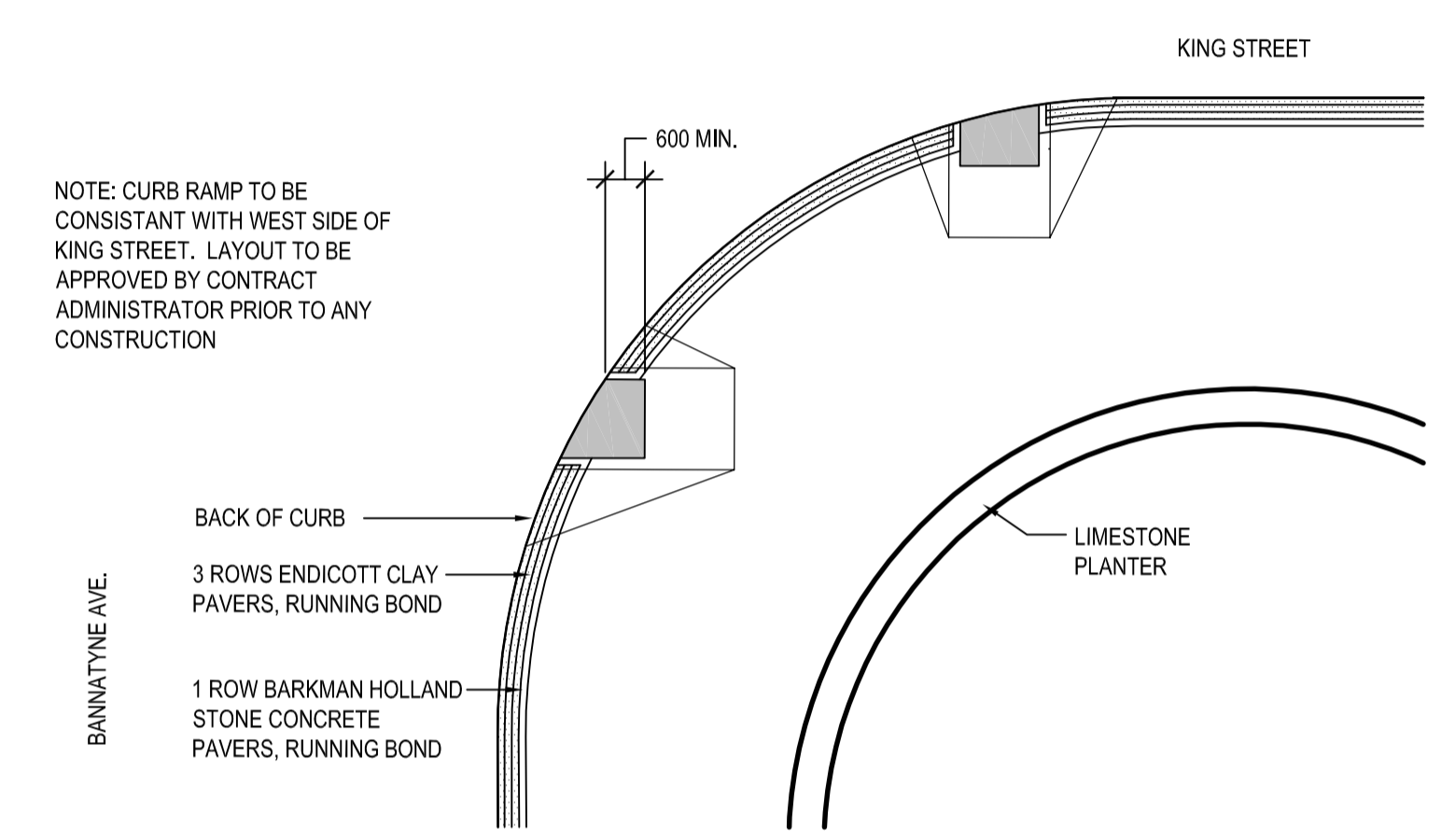


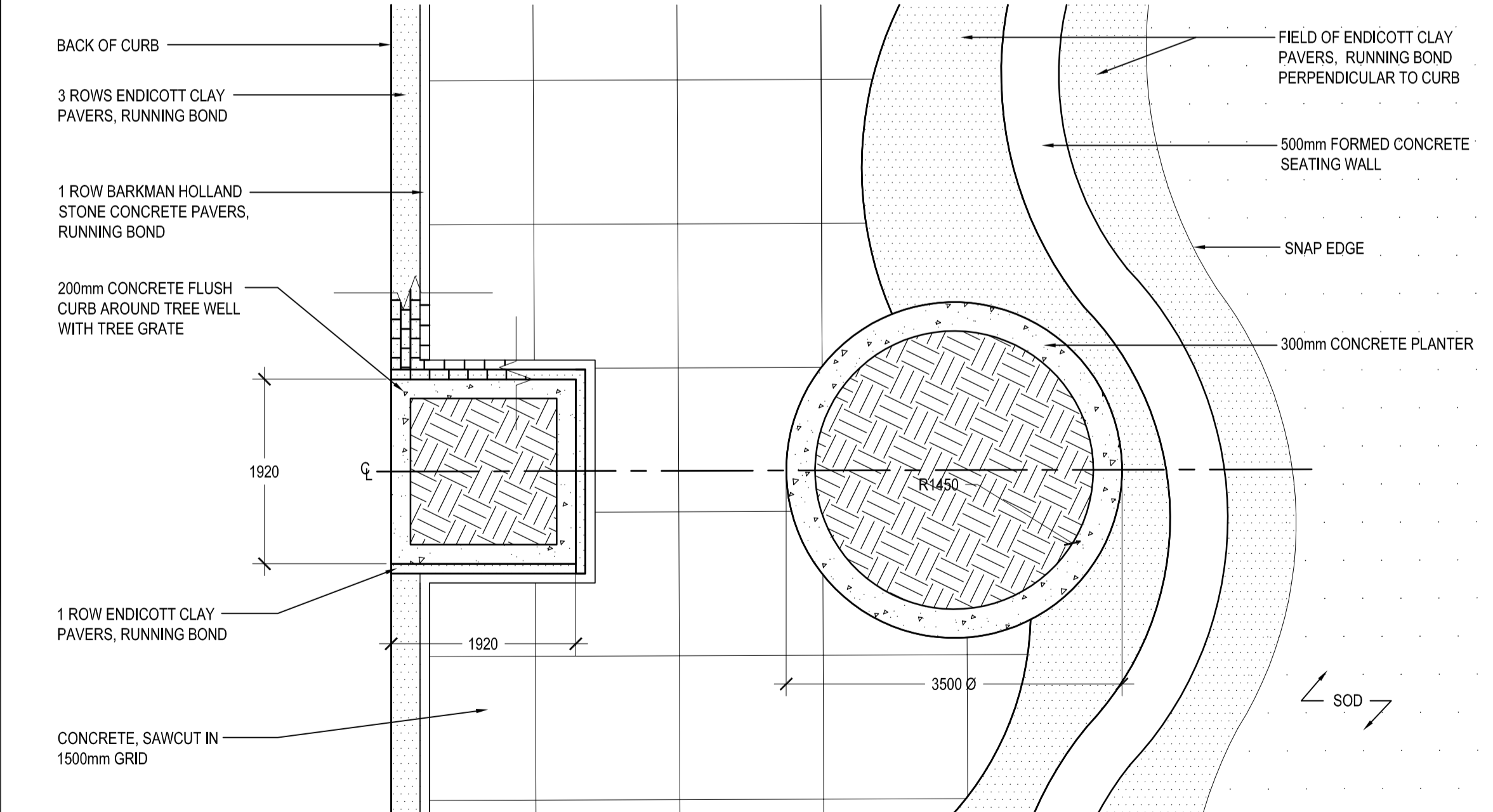
1 KING STREET PLANTERS - SECTION  
SCALE: NTS



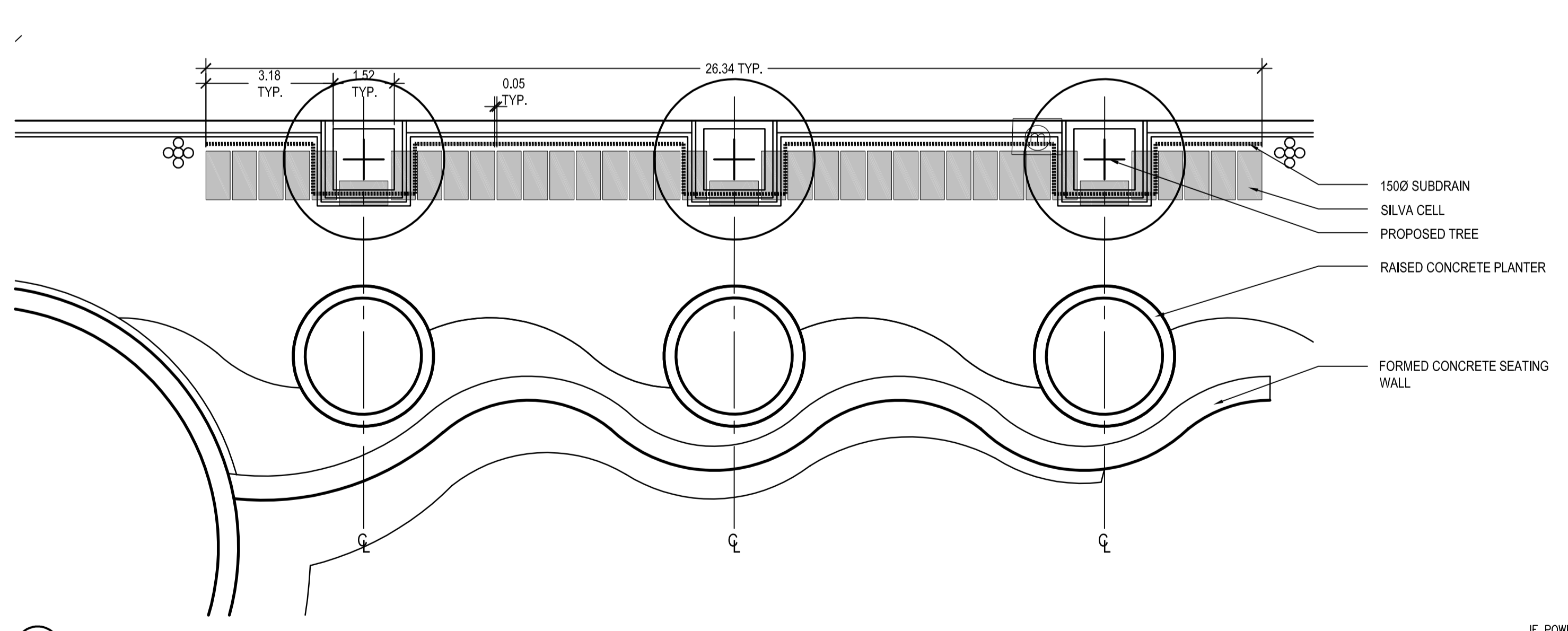
2 KING STREET - SECTION  
SCALE: NTS



4 SIDEWALK RAMP WITH DETECTABLE WARNING SURFACE  
SCALE: NTS



3 TYPICAL PAVING DETAIL AT TREEWELL & PLANTER  
SCALE: NTS



5 TYPICAL SILVA CELL LAYOUT - KING STREET  
SCALE: NTS

**WARNING**  
IF POWER EQUIPMENT OR EXPLOSIVES ARE TO BE USED FOR EXCAVATION ON THIS PROJECT THE CONTRACTOR MUST:  
1) NOTIFY THE GAS COMPANY OF THE PROPOSED LOCATION OF EXCAVATION.  
2) TAKE PRECAUTION TO AVOID DAMAGE TO GAS COMPANY INSTALLATIONS.  
SEE PROVINCIAL REGULATION 140/92 FOR DETAILS.

**METRIC**  
WHOLE NUMBERS INDICATE MILLIMETRES  
DECIMALIZED NUMBERS INDICATE METRES

EXISTING	LEGEND-PLAN	PROPOSED	EXISTING	LEGEND-PLAN	PROPOSED	EXISTING	LEGEND-PROFILE	PROPOSED
150 WM	WATERMAIN	150 WM	HYDRO	M.T.S.	150 WM	WATERMAIN	150 WM	HYDRANT, VALVE
300 LDS	LAND DRAINAGE SEWER	300 LDS	CONCRETE	CONCRETE	300 LDS	LAND DRAINAGE SEWER	300 LDS	LAND DRAINAGE SEWER
250 WWS	WASTE WATER SEWER	250 WWS	ASPHALT	ASPHALT	250 WWS	WASTE WATER SEWER	250 WWS	WASTE WATER SEWER
○	MANHOLE	●	PROPERTY LINE	PROPERTY LINE	□	NORTH OR WEST GUTTER	□	NORTH OR WEST GUTTER
□	CATCH BASIN	■	SURVEY BAR	SURVEY BAR	○	SOUTH OR EAST GUTTER	○	SOUTH OR EAST GUTTER
▽	CURB INLET	▽	DITCH	DITCH	◇	NORTH OR WEST P L	◇	NORTH OR WEST P L
+	JUNCTIONS	+	ELEVATION	ELEVATION	○	SOUTH OR EAST P L	○	SOUTH OR EAST P L
—	CULVERT	—	SIDEWALK RAMP	SIDEWALK RAMP	△	NORTH OR WEST DITCH	△	NORTH OR WEST DITCH
—	GAS	—			▽	SOUTH OR EAST DITCH	▽	SOUTH OR EAST DITCH

**LOCATION APPROVED UNDERGROUND STRUCTURES**  
SUPV. U/G STRUCTURES COMMITTEE DATE  
NOTE: LOCATION OF UNDERGROUND STRUCTURES AS SHOWN ARE BASED ON THE BEST INFORMATION AVAILABLE BUT NO GUARANTEE IS GIVEN THAT ALL EXISTING UTILITIES ARE SHOWN OR THAT THE GIVEN LOCATIONS ARE EXACT. CONFIRMATION OF EXISTENCE AND EXACT LOCATION OF ALL SERVICES MUST BE OBTAINED FROM THE INDIVIDUAL UTILITIES BEFORE PROCEEDING WITH CONSTRUCTION.

NO.	REVISIONS	DATE	BY
0	ISSUED FOR TENDER	08.07.14	DM

**SCATLIFF + MILLER + MURRAY Inc.**

DESIGNED BY	CO / DM	CHECKED BY	DM
DRAWN BY	MBP / MB / WF	APPROVED BY	CO
SCALE:	AS NOTED	RELEASED FOR CONSTRUCTION:	
DATE	08.07.14	DATE	08.07.14

LANDSCAPE ARCHITECT'S SEAL  
ORIGINALLY SEALED BY  
DEREK MURRAY  
2008/07/14

**THE CITY OF WINNIPEG**  
DEPARTMENT OF PLANNING  
PROPERTY AND DEVELOPMENT

**Winnipeg**

**KING STREET - RECONSTRUCTION  
OLD MARKET SQUARE - PHASE 1  
REDEVELOPMENT  
SECTIONS & DETAILS A**

CONSULTANT DRAWING NO.  
**L-5**

SHEET 10 OF 15  
CAD FILE DRAWING NUMBER  
8014\_L5-L6\_SECS&DET.dwg  
CITY DRAWING NUMBER  
**P-3295-09**

S:\p00\murray\projects\2008\Projects\014 - King Street & Old Market Square\CAD\Construction\_Plan\Drawings\05 - SECS&DET.dwg  
7/14/2008 10:42 AM BY: DM