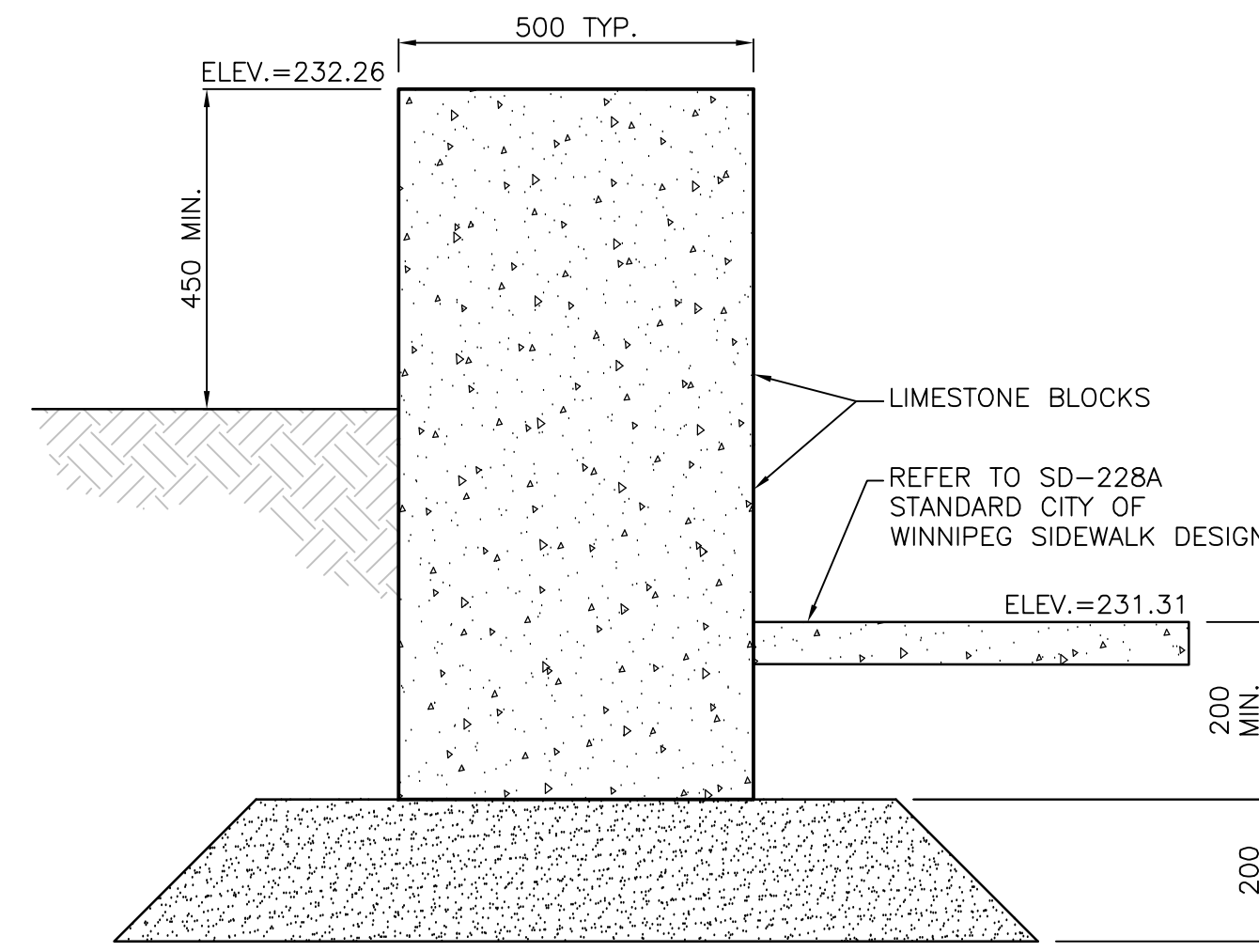
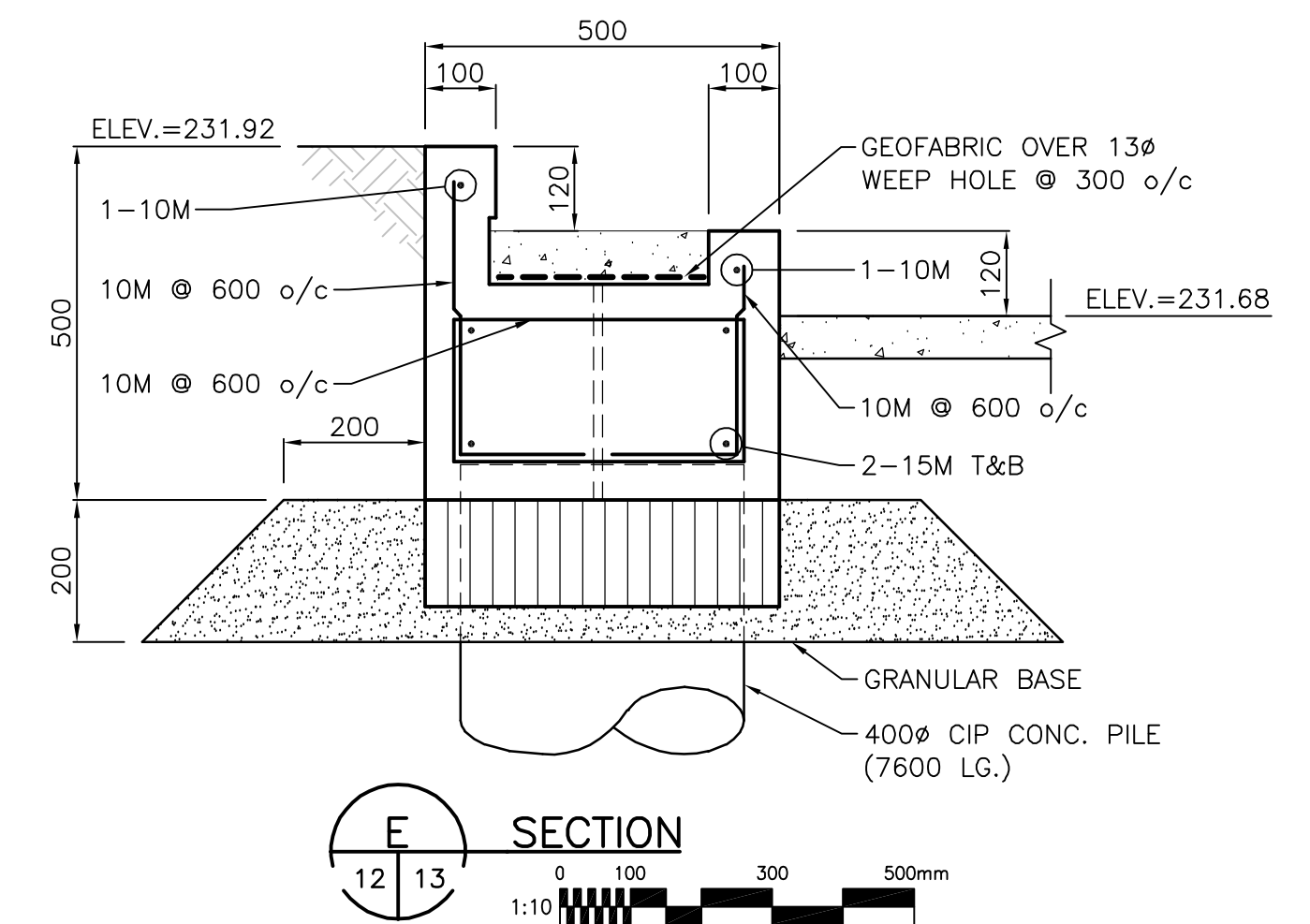


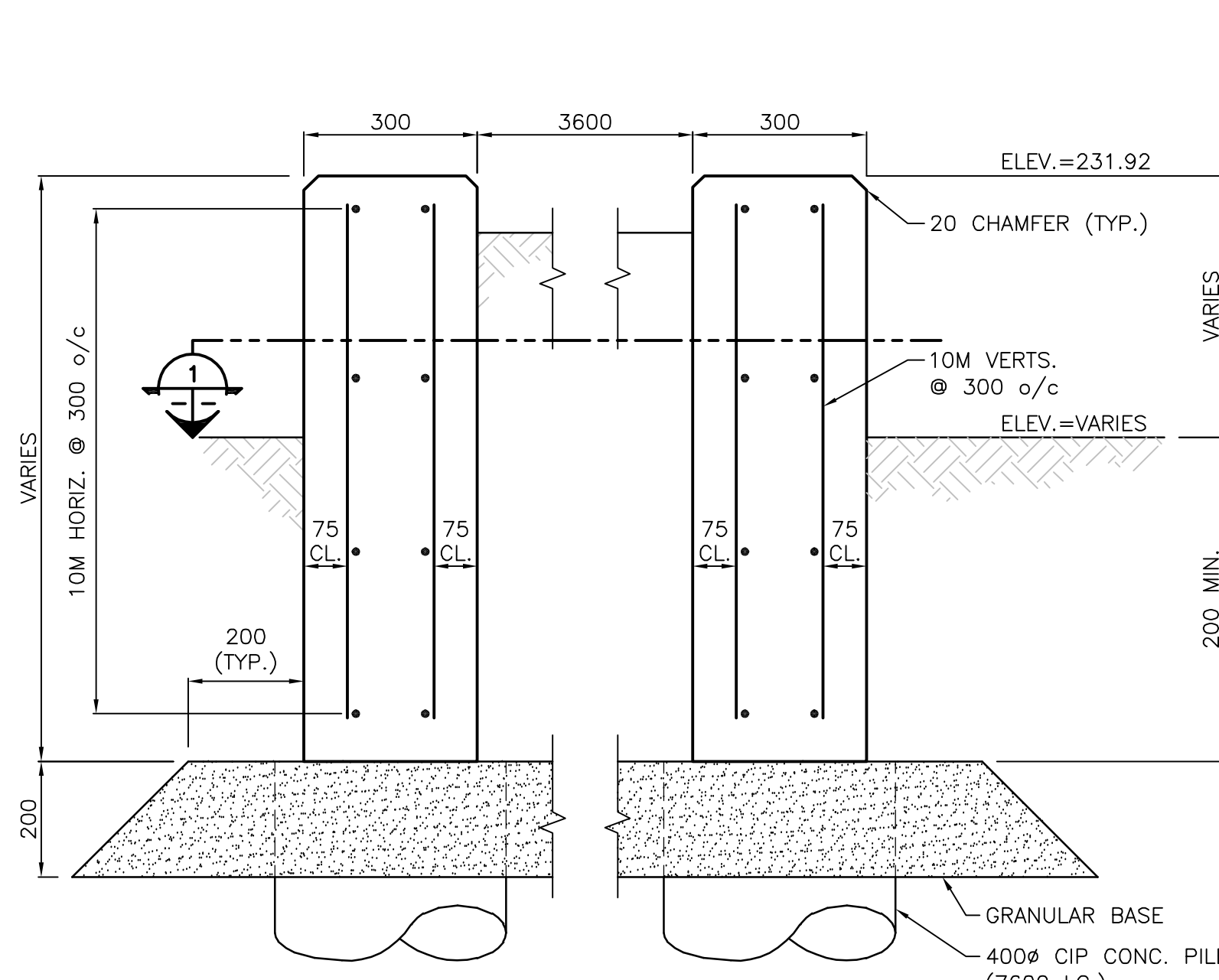
A SECTION
1:10 0 100 300 500mm



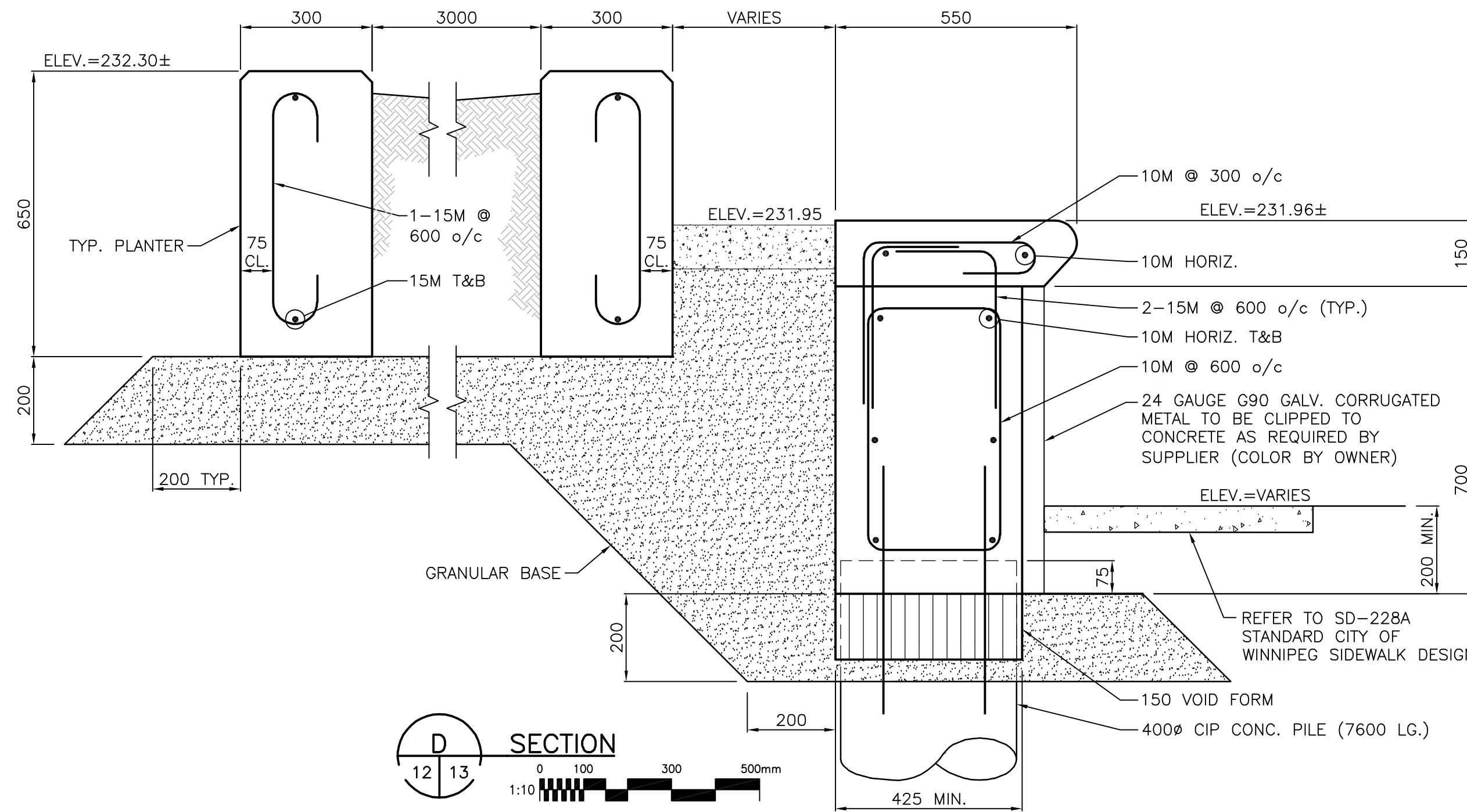
B SECTION
1:10 0 100 300 500mm



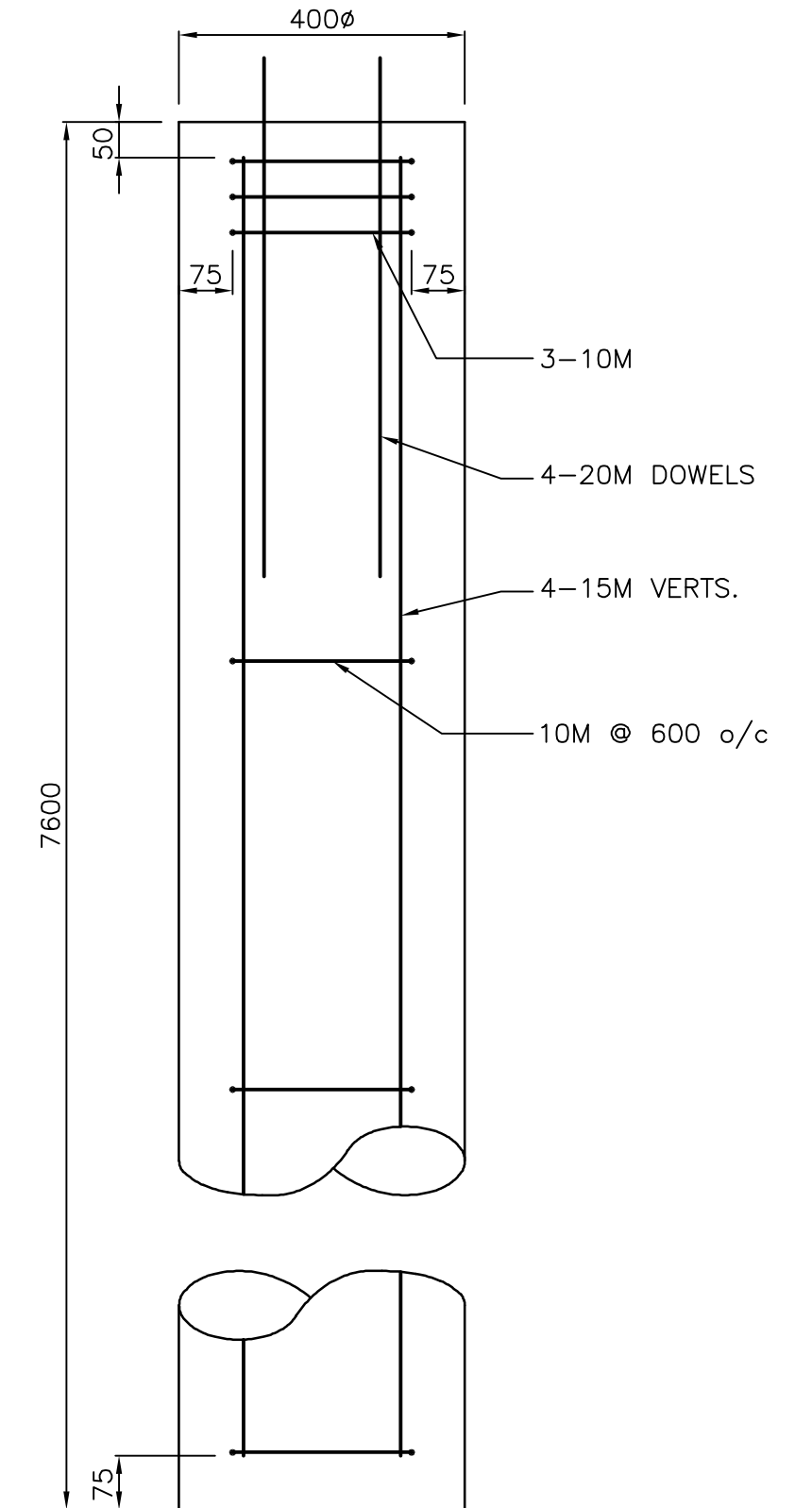
E SECTION
1:10 0 100 300 500mm



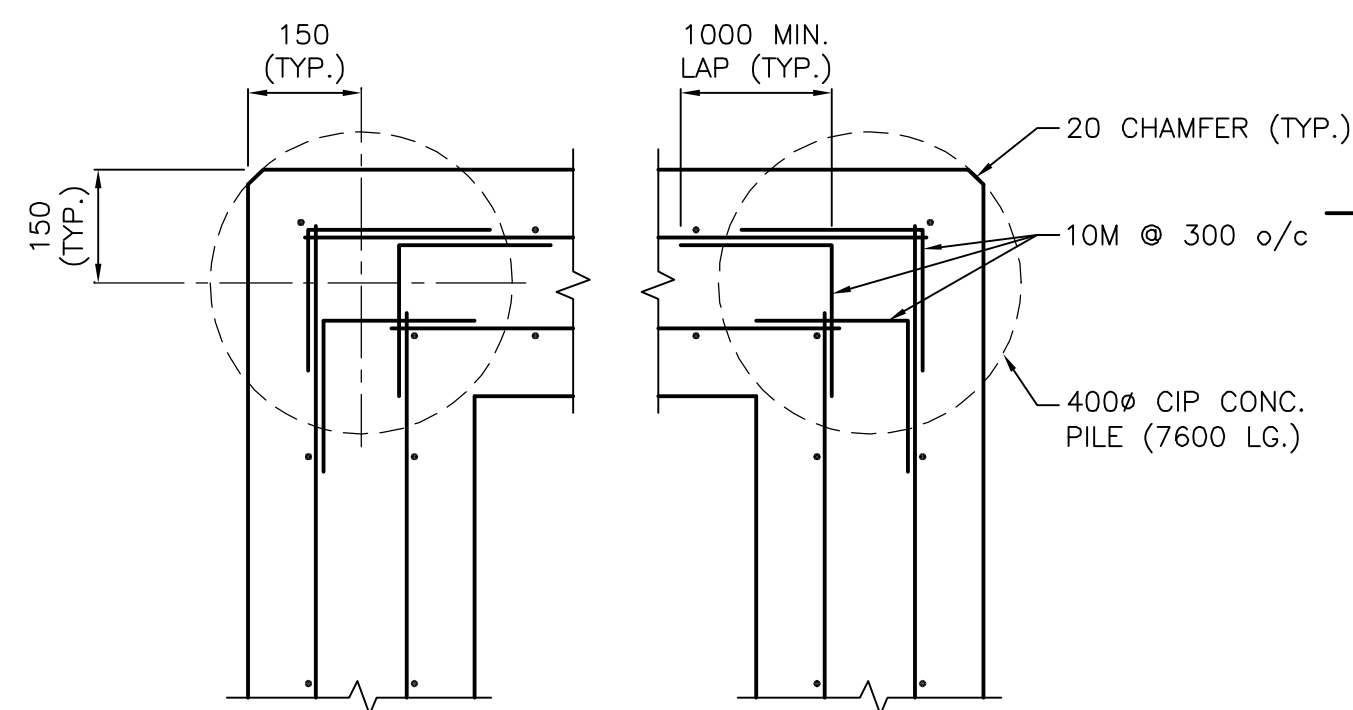
C SECTION
1:10 0 100 300 500mm



D SECTION
1:10 0 100 300 500mm



TYP. 400mm CIP CONC. PILE
1:10 0 100 300 500mm



1 DETAIL
1:10 0 100 300 500mm

METRIC
WHOLE NUMBERS INDICATE MILLIMETRES
DECIMALIZED NUMBERS INDICATE METRES

WARNING
IF POWER EQUIPMENT OR EXPLOSIVES ARE TO BE USED FOR EXCAVATION ON THIS PROJECT THE CONTRACTOR MUST:
1) NOTIFY THE GAS COMPANY OF THE PROPOSED LOCATION OF EXCAVATION.
2) TAKE PRECAUTION TO AVOID DAMAGE TO GAS COMPANY INSTALLATIONS.
SEE PROVINCIAL REGULATION 140/92 FOR DETAILS

LOCATION APPROVED UNDERGROUND STRUCTURES			
SUPV. U/G STRUCTURES COMMITTEE	DATE		
NOTE: LOCATION OF UNDERGROUND STRUCTURES AS SHOWN ARE BASED ON THE BEST INFORMATION AVAILABLE BUT NO GUARANTEE IS GIVEN THAT ALL EXISTING UTILITIES ARE SHOWN OR THAT THE GIVEN LOCATIONS ARE EXACT. CONFIRMATION OF EXISTENCE AND EXACT LOCATION OF ALL SERVICES MUST BE OBTAINED FROM THE INDIVIDUAL UTILITIES BEFORE PROCEEDING WITH CONSTRUCTION.			
		B.M. ELEV.	
0	ISSUED FOR TENDER	08.07.14	B.E.F.
	NO. REVISIONS	DATE	BY
		DATE	08.06.10

Stantec Consulting Ltd.
905 Waverley Street, Winnipeg, Manitoba
Tel 204-489-5900 Fax 204-453-9012

DESIGNED BY: B.E.F.	CHECKED BY: V.M.M.
DRAWN BY: J.M.B.	APPROVED BY: V.M.M.
HOR. SCALE: 1:250	
VERTICAL:	
0	ISSUED FOR TENDER
	NO. REVISIONS
	DATE
	BY
	DATE

ENGINEER'S SEAL

ORIGINAL SEALED BY
BLAIR E. FRASER
P. ENG.
08.07.14

CONSULTANT DRAWING NO.
S-102

THE CITY OF WINNIPEG
PUBLIC WORKS DEPARTMENT
TRANSPORTATION ENGINEERING DIVISION

KING STREET-RECONSTRUCTION
OLD MARKET SQUARE - PHASE 1

OLD MARKET SQUARE
STRUCTURAL DETAILS

SHEET 13 OF 16
CAD FILE DRAWING NUMBER 04780s-102-696.dwg
CITY DRAWING NUMBER P-3295-12

V:\1137\cshack\113704280\dwg\113704280-102-696.dwg
2008-07-14 11:26AM Bp_jps