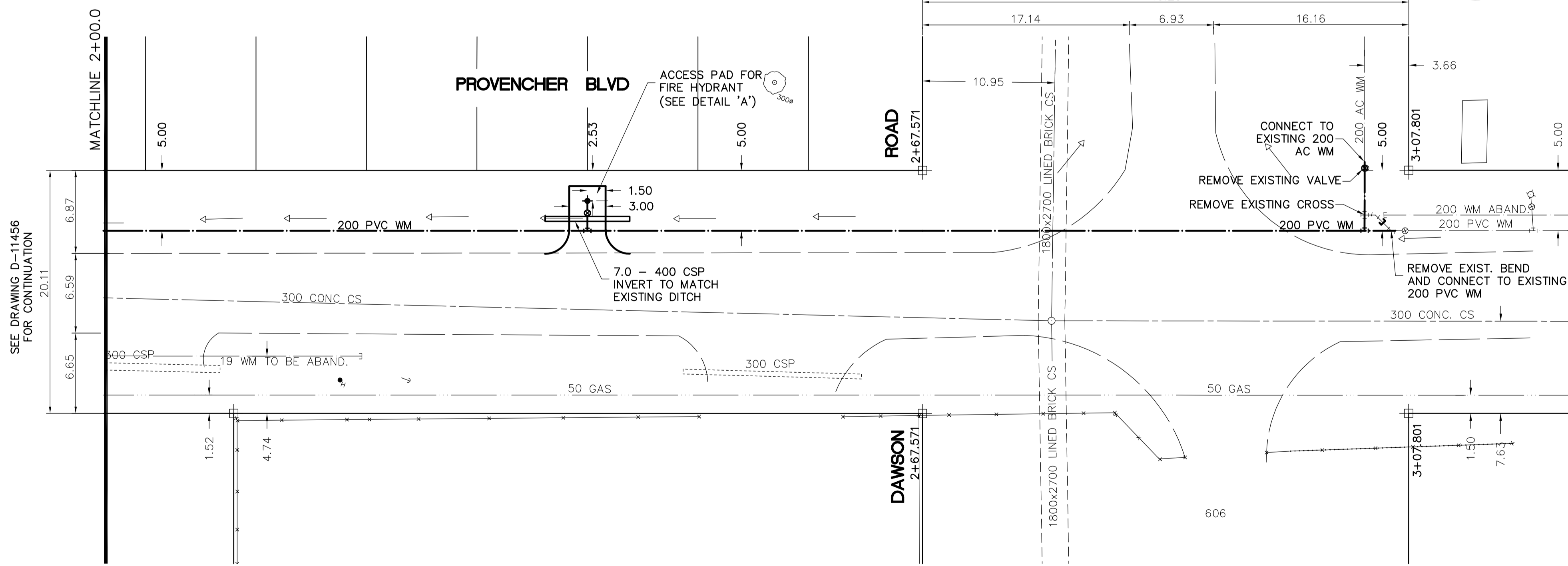
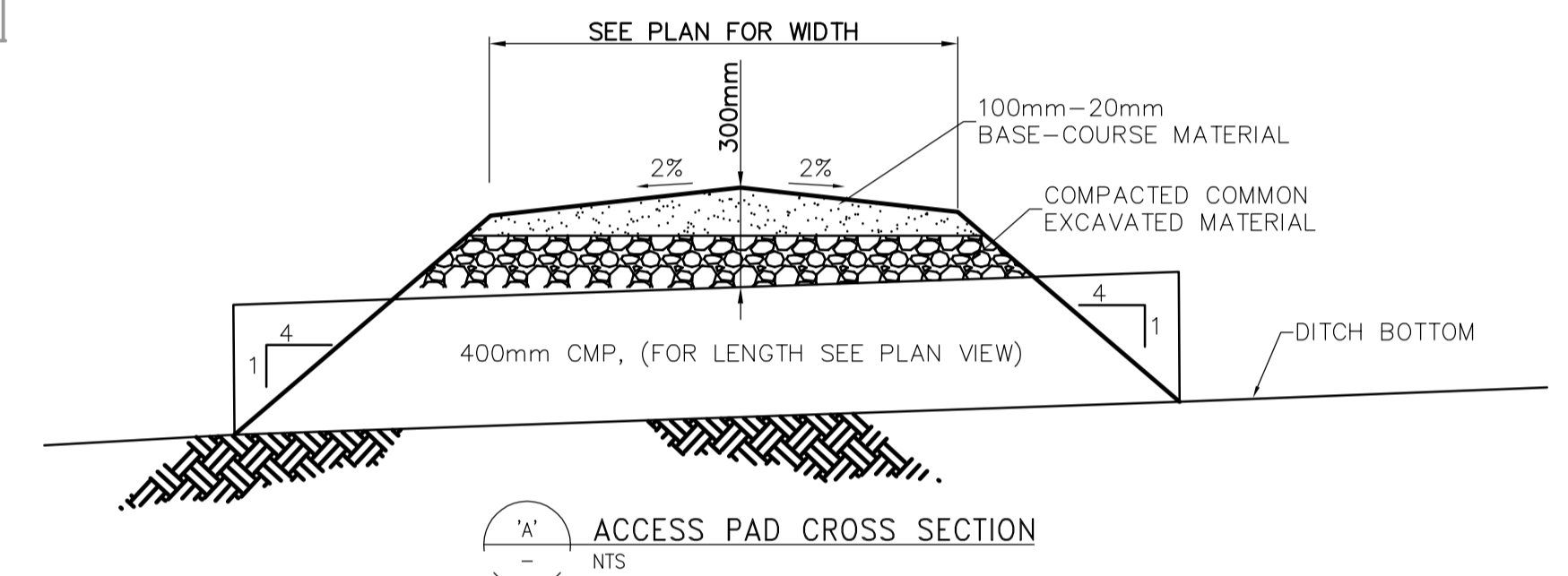
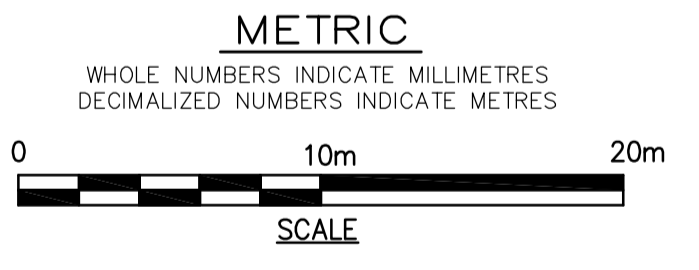


- CONSTRUCTION NOTES**
1. EXPOSE WATERMAIN CONNECTIONS AND CONFIRM INVERTS PRIOR TO CONSTRUCTION.
 2. INSTALL WATERMAIN BY TRENCHLESS METHODS.
 3. ALL MATERIALS SHALL CONFORM TO THE CITY OF WINNIPEG STANDARD CONSTRUCTION SPECIFICATIONS.
 4. MINIMUM COVER TO TOP OF PROPOSED WATERMAIN SHALL BE 2.5m FROM STREET CENTERLINE.
 5. INSTALL ALL HYDRANTS WITH FLANGE ELEVATION 50mm-150mm ABOVE FINISHED GRADE.
 6. REPLACE ALL EXISTING LEAD SERVICES FROM THE PROPOSED WATERMAIN TO PROPERTY LINE.
 7. NOTIFY ALL AFFECTED RESIDENTS AND BUSINESSES 24 HOURS IN ADVANCE OF ANY WATER SHUTDOWN OR DISRUPTION OF SERVICE.
 8. LOCATION OF WATER SERVICES SHOWN ON DRAWINGS ARE APPROXIMATE. THE CONTRACTOR SHALL FIELD LOCATE ALL WATER SERVICES PRIOR TO CONSTRUCTION.
 9. ALL VALVES SHALL BE BLACK TOP (CLOCKWISE TO CLOSE).
 10. BACKFILL UNDER OR WITHIN 1.0m OF PAVEMENTS, INCLUDING SIDEWALKS SHALL BE CLASS 3 BACKFILL EXCEPT AS NOTED. BACKFILL IN BOULEVARDS SHALL BE CLASS 5 BACKFILL.



APEGM
 Certificate of Authorization
 Earth Tech Canada Inc.
 No. 730



150 mm W.M.	WATERMAIN	150 mm W.M.	HYDRO	150 mm W.M.	WATERMAIN
⊕	HYDRANT	⊕	TELEPHONE	⊕	HYDRANT
⊙	VALVE	⊙	CONCRETE	⊙	VALVE
300mm L.D.S.	LAND DRAINAGE SEWER	300mm L.D.S.	ASPHALT	300mm L.D.S.	LAND DRAINAGE SEWER
250mm W.W.S.	WASTEWATER SEWER	250mm W.W.S.	PROPERTY LINE	250mm W.W.S.	WASTE WATER SEWER
○	MANHOLE	⊕	SURVEY BAR	⊕	⊕ PROFILE
□	CATCH BASIN	■	CURB STOP	⊕	
▽	CURB INLET	⊕	TREE	⊕	
+	JUNCTIONS	⊕	ANODE	⊕	
—	CULVERT	—	CONCRETE SIDEWALK	—	
—	GAS	—	FENCE	—	
EXISTING	LEGEND - PLAN	PROPOSED	EXISTING	LEGEND - PLAN	PROPOSED
EXISTING	LEGEND - PROFILE	PROPOSED	EXISTING	LEGEND - PROFILE	PROPOSED

LOCATION APPROVED UNDERGROUND STRUCTURES

SUPV. U/G STRUCTURES COMMITTEE DATE

NOTE:
 LOCATION OF UNDERGROUND STRUCTURES AS SHOWN ARE BASED ON THE BEST INFORMATION AVAILABLE, BUT NO GUARANTEE IS GIVEN THAT ALL EXISTING UTILITIES ARE SHOWN OR THAT THE GIVEN LOCATIONS ARE EXACT. CONFIRMATION OF EXISTENCE AND EXACT LOCATION OF ALL SERVICES MUST BE OBTAINED FROM THE INDIVIDUAL UTILITIES BEFORE PROCEEDING WITH CONSTRUCTION.

B.M. ELEV. 74M6625, tablet in W. conc. wall of Central Grain Plant, E. of Archibald St., 0.5m N. of production of S.L. of Dumoulin St. Et. 231.015m.

EARTH TECH

Earth Tech (Canada) Inc. Winnipeg, Manitoba 204.477.5381

DESIGNED BY GSK, GDL CHECKED BY GSK

DRAWN BY DKA APPROVED BY KWF

HOR. SCALE: 1:250
 VERTICAL: 1:50

RELEASED FOR CONSTRUCTION BY: K. ZUREK

DATE 2008/06/19 DATE 2008/07/03

ENGINEER'S SEAL

PROVINCE OF MANITOBA
 ORIGINAL SIGNED BY
K.W. FITCHETT
 2008/07/03
 REGISTERED PROFESSIONAL ENGINEER

CONSULTANT DRAWING NO. 104449-007

THE CITY OF WINNIPEG
 Winnipeg WATER AND WASTE DEPARTMENT

2008 WATERMAIN RENEWALS CONTRACT 5

PROVENCHER BLVD.
 McTAVISH ST. TO DAWSON ROAD
 STA. 2+00 TO DAWSON ROAD

SHEET 7 OF 12
 CITY DRAWING NUMBER D-11457