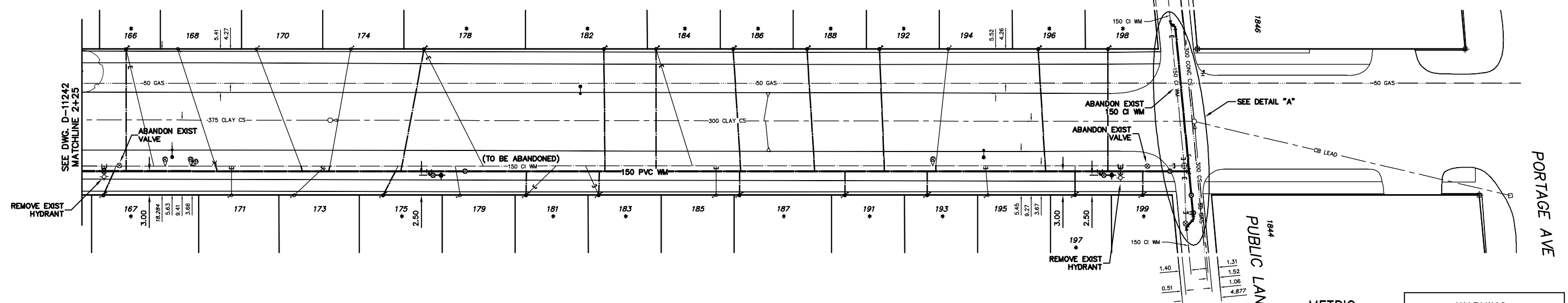


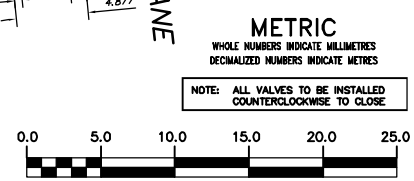
NOTE: CHAINAGES SHOWN ARE ALONG E. R. OF ROSEBERRY ST.

ROSEBERRY STREET



FOR CONSTRUCTION NOTES
SEE DRAWING D-11241

FOR SERVICE INFORMATION
SEE DRAWING D-11242



WARNING
IF POWER EQUIPMENT OR EXPLOSIVES ARE TO BE USED FOR EXCAVATION ON THIS PROJECT THE CONTRACTOR MUST:
1) NOTIFY THE GAS COMPANY OF THE PROPOSED LOCATION OF EXCAVATION.
2) TAKE PRECAUTION TO AVOID DAMAGE TO GAS COMPANY INSTALLATIONS.
SEE PROVINCIAL REGULATION 210/72 FOR DETAILS

200 WM	WATERMAIN	200 WM	SL, HYDRO	150 WM	WATERMAIN	150 WM
⊕	HYDRANT	⊕	MTS	⊕	HYDRANT	⊕
⊙	VALVE	⊙	TRAFFIC SIGNALS	⊙	VALVE	⊙
525 LDS	LAND DRAINAGE SEWER	525 LDS	GAS	300 LDS	LAND DRAINAGE SEWER	300 LDS
375 WWS	WASTEWATER SEWER	375 WWS	SURVEY BAR	250 WWS	WASTEWATER SEWER	250 WWS
○	MANHOLE	●	FENCE	— X —	€ PROFILE	
□	CATCH BASIN	■	POLE - HYDRO, MTS	=====	GROUND ABOVE PIPE	
▽	CURB INLET	▽	CURB STOP	△	€ DITCH (NORTH & WEST)	
◁	REDUCER	◁	GUY ANCHOR	▽	€ DITCH (SOUTH & EAST)	
X	COUPLER	X	LIGHT STANDARD	□	GUTTER (NORTH & WEST)	
⊕	ANODE	⊕	TREE	○	GUTTER (SOUTH & EAST)	
EXISTING	LEGEND-PLAN	PROPOSED	EXISTING	LEGEND-PLAN	PROPOSED	EXISTING
				LEGEND-PROFILE	PROPOSED	

LOCATION APPROVED	B.M. ELEV.	FIELD BOOK #:
UNDERGROUND STRUCTURES	POSTED TO LBS	
SUPV. U/G STRUCTURES COMMITTEE	DATE	
NOTE:		
LOCATION OF UNDERGROUND STRUCTURES AS SHOWN ARE BASED ON THE BEST INFORMATION AVAILABLE BUT NO GUARANTEE IS GIVEN THAT THE GIVEN LOCATIONS ARE EXACT. CONFIRMATION OF EXISTENCE AND EXACT LOCATION OF ALL SERVICES MUST BE OBTAINED FROM THE INDIVIDUAL UTILITIES BEFORE PROCEEDING WITH CONSTRUCTION.		
NO.	REVISIONS	DATE BY

CITY OF WINNIPEG
WATER AND WASTE
ENGINEERING DIVISION

DESIGNED BY: SGL
CHECKED BY: SC
DRAWN BY: C.J.H.
APPROVED BY: K.Z.
HOR. SCALE: 1:250
VERTICAL: 1:50
RELEASED FOR CONSTRUCTION
SIGNED BY K. ZUREK
DATE: 2008 03 18

ENGINEER'S SEAL
ORIGINAL SIGNED BY
S.R.J. COURNOYER
08/03/18

THE CITY OF WINNIPEG
WATER AND WASTE DEPARTMENT

2008 WATERMAIN RENEWALS
CONTRACT 2
ROSEBERRY STREET
175 S OF PORTAGE AVENUE TO
PORTAGE AVENUE

SHEET 14 OF 17
CITY DRAWING NUMBER
D-11243