

- CONSTRUCTION NOTES:**
1. EXCAVATIONS SHALL BE AS FAR AS POSSIBLE FROM EXISTING TREES.
  2. INSTALL SEWER BY TRENCHLESS METHODS.
  3. CONFIRM THE LOCATION OF ALL SEWER SERVICES.
  4. BACKFILL UNDER PAVEMENT, IN SIDEWALKS, & WITHIN 1.0 OF PAVEMENT TO BE CLASS 3.
  5. BACKFILL IN BOULEVARD TO BE CLASS 5.
  6. RENEW SEWER SERVICES TO P.
  7. INSTALL SEWER SERVICE RISERS TO ELEVATION WHERE MINIMUM SLOPE OF 1% IS MAINTAINED FOR ALL SERVICES.

**WATER SERVICE INFORMATION**

ADDRESS	SIZE(mm) & TYPE (STREET)	SIZE(mm) & TYPE (PROP)	SHORT & LONG MEASUREMENT	CORP. LOCATION
304 HOSMER BV RESIDENTIAL	-	-	47.37 SSL CORYDON	-
307 HOSMER BV RESIDENTIAL	-	-	71.16 SSL CORYDON	-
308 HOSMER BV RESIDENTIAL	-	-	74.22 SSL CORYDON	-
311 HOSMER BV RESIDENTIAL	-	20 COPPER	91.05 SSL CORYDON	-
312 HOSMER BV RESIDENTIAL	-	-	92.97 SSL CORYDON	-
315 HOSMER BV RESIDENTIAL	20 LEAD	-	118.19 SSL CORYDON	-
316 HOSMER BV RESIDENTIAL	20 COPPER	20 COPPER	120.25 SSL CORYDON	OPP S/C
319 HOSMER BV RESIDENTIAL	-	-	133.85 SSL CORYDON	-
320 HOSMER BV RESIDENTIAL	20 COPPER	20 COPPER	115.14>NNL CUTHBERTSON	2.11 N OF S/C
321 HOSMER BV RESIDENTIAL	-	-	101.51>NNL CUTHBERTSON	-

NOTE: FOR CURBSTOPS AND SERVICES IN GIS : SHORT MEASUREMENTS WERE MEASURED IN AUTOCAD USING 2005 AERIAL PHOTOS LONG MEASUREMENTS WERE MEASURED IN AUTOCAD  
FOR CURBSTOPS AND SERVICES NOT IN GIS : INFORMATION IS FROM PANEL 10 (P10)

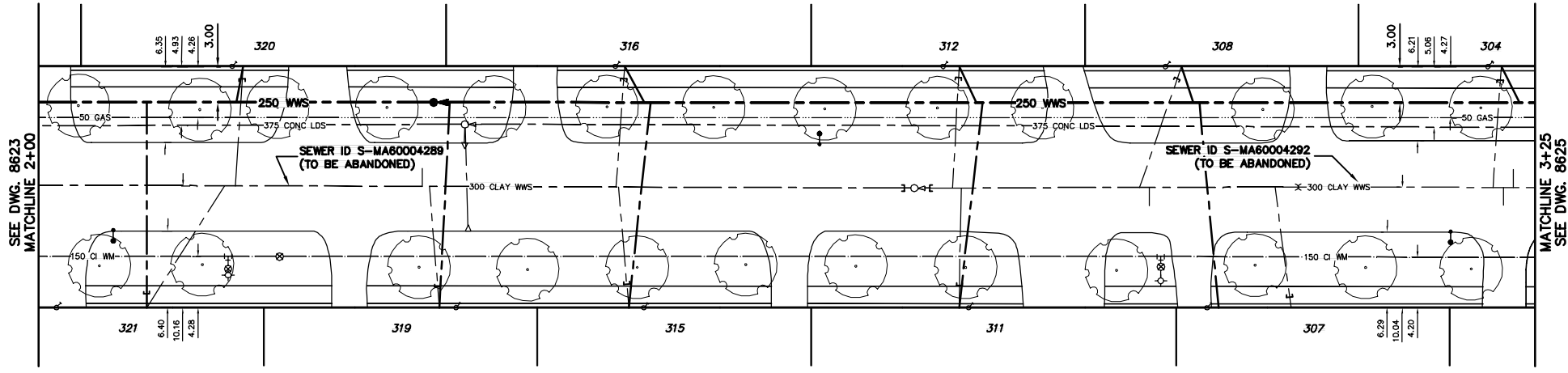
NOTE: CHAINAGES SHOWN ARE ALONG E P. OF HOSMER BV.

**HOSMER BOULEVARD**



**SEWER SERVICE INFORMATION**

ADDRESS	SIZE	R DIST	JUNCTION TIE
304 HOSMER BV RESIDENTIAL	-	-	-
307 HOSMER BV RESIDENTIAL	-	-	9.59 N OF SL
308 HOSMER BV RESIDENTIAL	-	-	61.0 S 3RD MH N CUTHBERTSON
311 HOSMER BV RESIDENTIAL	-	-	-
312 HOSMER BV RESIDENTIAL	-	-	-
315 HOSMER BV RESIDENTIAL	-	-	-
316 HOSMER BV RESIDENTIAL	-	-	-
319 HOSMER BV RESIDENTIAL	-	-	-
320 HOSMER BV RESIDENTIAL	-	-	13.50 N OF SL
321 HOSMER BV RESIDENTIAL	-	-	56.70 S 2ND MH N CUTHBERTSON



**SEWER JUNCTION INFORMATION FROM SEWER VIDEO INSPECTION S-MA60004292**

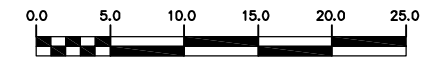
DISTANCE FROM MH S-MH60003097			
41.1	S	150P	WEST CX
41.9	S	150P	EAST JX
42.8	S	150P	WEST JX
61.0	S	150P	EAST JN
71.5	S	150P	EAST JN
72.3	S	150P	WEST JN
87.2	S	150P	EAST JN
87.9	S	150P	WEST JN

**SEWER JUNCTION INFORMATION FROM SEWER VIDEO INSPECTION S-MA60004289**

DISTANCE FROM MH S-MH60003101			
24.7	S	150P	EAST CX
24.9	S	150P	WEST CX
42.5	S	150P	EAST JX
43.1	S	150P	WEST JX
56.7	S	150P	WEST CX
57.6	S	150P	EAST CX

**METRIC**  
WHOLE NUMBERS INDICATE MILLIMETRES  
DECIMALIZED NUMBERS INDICATE METRES

**WARNING**  
IF POWER EQUIPMENT OR EXPLOSIVES ARE TO BE USED FOR EXCAVATION ON THIS PROJECT THE CONTRACTOR MUST:  
1) NOTIFY THE GAS COMPANY OF THE PROPOSED LOCATION OF EXCAVATION.  
2) TAKE PRECAUTION TO AVOID DAMAGE TO GAS COMPANY INSTALLATIONS.  
SEE PROVINCIAL REGULATION 210/72 FOR DETAILS



200 WM	WATERMAIN	200 WM	SL, HYDRO	150 WM	WATERMAIN	150 WM
⊕	HYDRANT	⊕	MTS	⊕	HYDRANT	⊕
⊙	VALVE	⊙	TRAFFIC SIGNALS	⊙	VALVE	⊙
525 LDS	LAND DRAINAGE SEWER	525 LDS	GAS	300 LDS	LAND DRAINAGE SEWER	300 LDS
375 WWS	WASTEWATER SEWER	375 WWS	SURVEY BAR	250 WWS	WASTEWATER SEWER	250 WWS
○	MANHOLE	○	FENCE	⊕	PROFILE	⊕
□	CATCH BASIN	□	POLE - HYDRO, MTS	⊕	GROUND ABOVE PIPE	⊕
▽	CURB INLET	▽	CURB STOP	⊕	DITCH (NORTH & WEST)	⊕
⊕	JUNCTIONS	⊕	GUY ANCHOR	⊕	DITCH (SOUTH & EAST)	⊕
⊕	CULVERT	⊕	LIGHT STANDARD	⊕	GUTTER (NORTH & WEST)	⊕
⊕	ANODE	⊕	TREE	⊕	GUTTER (SOUTH & EAST)	⊕
EXISTING	LEGEND-PLAN	PROPOSED	EXISTING	LEGEND-PLAN	PROPOSED	EXISTING
EXISTING	LEGEND-PROFILE	PROPOSED	EXISTING	LEGEND-PROFILE	PROPOSED	EXISTING

**LOCATION APPROVED UNDERGROUND STRUCTURES**

SUPV. U/G STRUCTURES COMMITTEE DATE \_\_\_\_\_

NOTE: LOCATION OF UNDERGROUND STRUCTURES AS SHOWN ARE BASED ON THE BEST INFORMATION AVAILABLE BUT NO GUARANTEE IS GIVEN THAT THE GIVEN LOCATIONS ARE EXACT. CONFIRMATION OF EXISTENCE AND EXACT LOCATION OF ALL SERVICES MUST BE OBTAINED FROM THE INDIVIDUAL UTILITIES BEFORE PROCEEDING WITH CONSTRUCTION.

B.M. ELEV. \_\_\_\_\_ FIELD BOOK # \_\_\_\_\_

POSTED TO LBS \_\_\_\_\_

NO. REVISIONS \_\_\_\_\_ DATE \_\_\_\_\_ BY \_\_\_\_\_

**CITY OF WINNIPEG WATER AND WASTE ENGINEERING DIVISION**

DESIGNED BY: SGL CHECKED BY: NC  
DRAWN BY: CJH APPROVED BY: KZ

HOR. SCALE: 1:250  
VERTICAL: 1:50

RELEASED FOR CONSTRUCTION DATE: 2008 07 17

ENGINEER'S SEAL  
ORIGINAL SIGNED BY K.R. ZUREK  
08/07/17

**THE CITY OF WINNIPEG WATER AND WASTE DEPARTMENT**

2008 SEWER RENEWALS CONTRACT 15  
**HOSMER BOULEVARD**  
1ST MH N OF CUTHBERTSON AVENUE TO 2ND MH N OF CUTHBERTSON AVENUE

SHEET 2 OF 8  
CITY DRAWING NUMBER  
8624

BID OPPORTUNITY: 578-2008  
FILENAME: 8624.dwg  
PLOT DATE: 2008 07 17