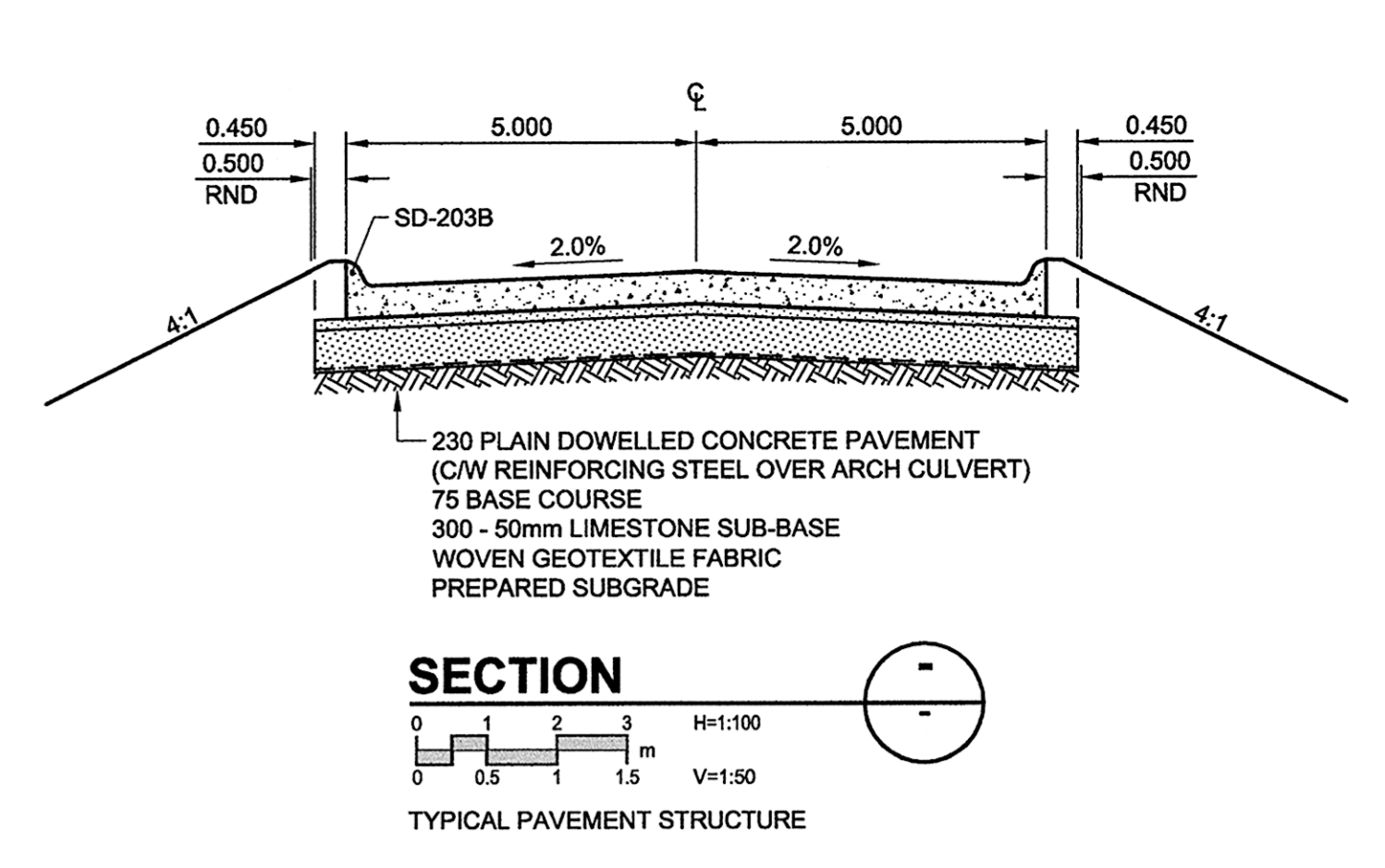
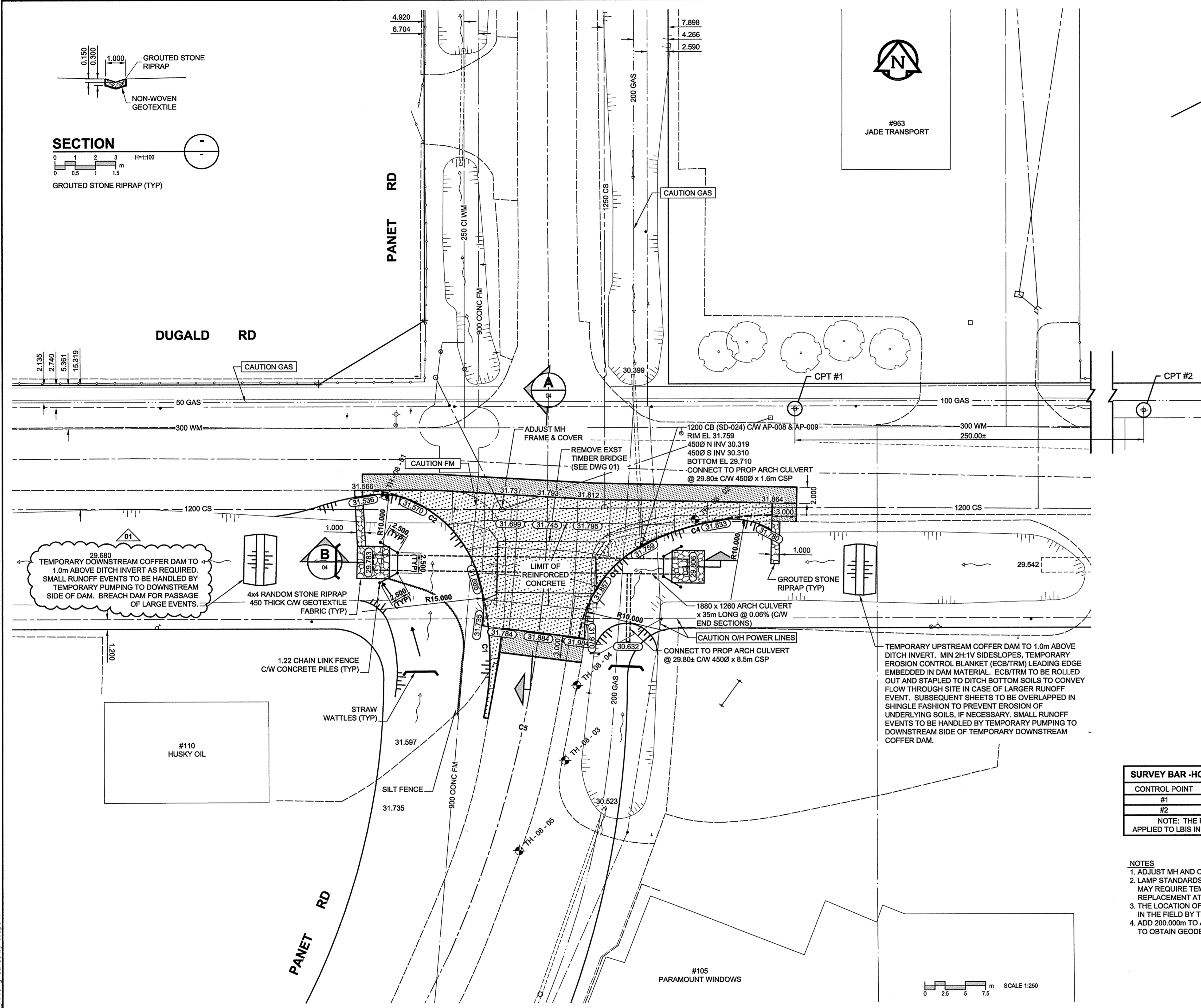


A1 SIZE 23.4" x 33.1" (594mm x 841mm)

PLOT: 08/08/28 5:24:35 PM

UMA FILE NAME: 0285-407-00_01-CT1001_RX.dwg Saved By: cooperkl



PANET ROAD CONTROL LINE		
DESCRIPTION	NORTHING	EASTING
PCC	9931.857	9959.185
PT	9988.943	9969.710

EDGE OF PAVEMENT CONTROL		
DESCRIPTION	NORTHING	EASTING
WEST		
PC	9960.832	9962.575
PCC	9978.025	9961.521
PT	9988.547	9946.823
EAST		
PC	9971.014	9974.084
PCC	9982.967	9982.283
PT	9986.784	9997.524

BACK OF CURB CONTROL		
DESCRIPTION	NORTHING	EASTING
WEST		
START	9972.175	9962.140
PCC	9978.025	9961.521
PCC	9987.213	9953.398
END	9987.807	9946.842
EAST		
START	9970.944	9974.799
PCC	9977.288	9976.156
PCC	9985.913	9990.518
END	9984.922	9997.534

CIRCULAR CURVE DATA				
CURVE	LENGTH	RADIUS	DELTA	TANGENT
C1	17.394	36.000	27°41'03"	8.870
C2	19.400	15.000	74°06'04"	11.324
C3	15.128	15.000	57°47'07"	8.278
C4	15.839	36.000	25°12'32"	8.050
C5	58.673	140.000	24°00'44"	29.774

SURVEY BAR - HORIZONTAL CONTROL POINTS - PROJECT COORDINATES				NAD83 DATUM		
CONTROL POINT	NORTHING	EASTING	ELEVATION	NORTHING	EASTING	ELEVATION
#1	10000.000	10000.000	231.922	5527729.861	638017.594	-
#2	10006.702	10251.113	231.608	5527736.400	638268.767	-

NOTE: THE PROJECT DRAWING HAS A SCALE FACTOR OF 1.00021536323 APPLIED TO LBIS INFORMATION TO MATCH LOCAL SURVEYED PROJECT COORDINATES

- NOTES**
- ADJUST MH AND CB RIMS TO NEW GRADES.
 - LAMP STANDARDS, HYDRO POLES, AND ANCHORS MAY REQUIRE TEMPORARY SUPPORT/REMOVAL OR REPLACEMENT AT THE CONTRACTOR'S EXPENSE.
 - THE LOCATION OF ALL SERVICES TO BE CONFIRMED IN THE FIELD BY THE CONTRACTOR.
 - ADD 200.000m TO ABBREVIATED ELEVATIONS TO OBTAIN GEODETIC ELEVATIONS.

APECM
 Certificate of Authorization
 UMA Engineering Ltd. (MB)
 No. 256 Date: Aug 29, 2008

METRIC
 WHOLE NUMBERS INDICATE MILLIMETRES
 DECIMAL NUMBERS INDICATE METRES
 BID OPPORTUNITY NO. 589-2008

EXISTING	LEGEND - PLAN	NEW	EXISTING	LEGEND - PLAN	NEW	EXISTING	LEGEND - PLAN	NEW
○	MANHOLE	●	○	CONCRETE PAVEMENT	▨	○	LOCATION APPROVED	□
□	CATCH BASIN / CATCH PIT	■	▨	ASPHALT PAVEMENT	▩	▨	UNDERGROUND STRUCTURES	▩
△	CURB INLET WITH BOX	▲	▩	CONC. SIDEWALK/MEDIAN	▩	▩	DATE	▩
○	TREE	○	▩	PAVING STONE	▩	▩	COMMITTEE	▩
⊕	TEST HOLE	⊕	▩	GRAVEL	▩	▩	NOTE:	▩
⊕	PROPERTY LINE	⊕	▩	RAMP CURB	▩	▩	LOCATION OF UNDERGROUND STRUCTURES	▩
⊕	SURVEY BAR	⊕	▩	PAVT PLANING/REMOVAL	▩	▩	AS SHOWN ARE BASED ON THE BEST	▩
⊕	FENCE	⊕	▩		▩	▩	INFORMATION AVAILABLE. BUT NO	▩
⊕	BOC/EOPAVT	⊕	▩		▩	▩	GUARANTEE IS GIVEN THAT ALL EXISTING	▩
⊕	ELEVATION	⊕	▩		▩	▩	UTILITIES ARE SHOWN OR THAT THE GIVEN	▩
⊕	TRAFFIC SIGN	⊕	▩		▩	▩	LOCATIONS ARE EXACT. CONFIRMATION OF	▩
⊕		⊕	▩		▩	▩	EXISTENCE AND EXACT LOCATION OF ALL	▩
⊕		⊕	▩		▩	▩	SERVICES MUST BE OBTAINED FROM THE	▩
⊕		⊕	▩		▩	▩	INDIVIDUAL UTILITIES BEFORE PROCEEDING	▩
⊕		⊕	▩		▩	▩	WITH CONSTRUCTION.	▩

NO.	REVISIONS	DATE	BY
1	ADDENDUM NO. 01	08/08/29	KLC
0	ISSUED FOR TENDER	08/08/20	KLC

NO.	REVISIONS	DATE	BY
1	ADDENDUM NO. 01	08/08/29	KLC
0	ISSUED FOR TENDER	08/08/20	KLC

DESIGNED BY	CHECKED BY
JGK	RPB
DRAWN BY	APPROVED BY
KLC	BLL
HOR. SCALE	RELEASED FOR CONSTRUCTION
1:250	
VERT. SCALE	DATE
N/A	08/08/01

PROFESSIONAL'S SEAL
 J.G. KENNEDY
 Member
 22326
 AUG 29 2008
 REGISTERED PROFESSIONAL ENGINEER

THE CITY OF WINNIPEG
 PUBLIC WORKS DEPARTMENT
 TRANSPORTATION ENGINEERING DIVISION

PANET ROAD
 CROSSING OF DUGALD ROAD
 DRAIN REPLACEMENT
 HORIZONTAL ALIGNMENT, SECTION,
 HORIZONTAL AND VERTICAL CONTROL

CITY DRAWING NUMBER C376-08-03
 SHEET 3 OF 4
 DRAWING No. 03 REV 1