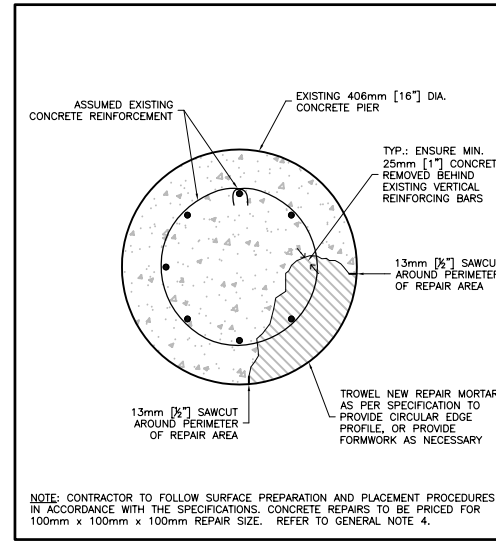


GENERAL NOTES:

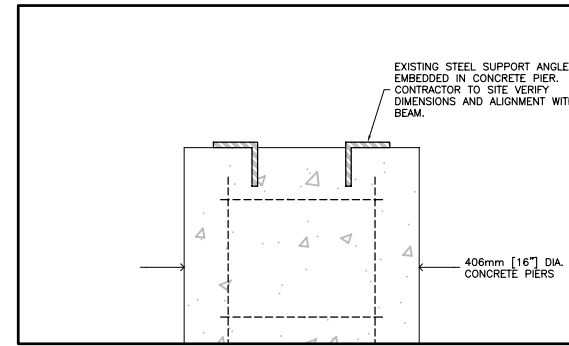
1. DETAILS SHOWN ON THIS DRAWING MAY VARY FROM EXISTING SITE CONDITIONS, WHICH ARE TO BE VERIFIED BY CONTRACTOR IN STRICT ACCORDANCE WITH THE SPECIFICATIONS. EXISTING STEEL SUPPORT BRACKETS MAY NOT BE SAME LENGTH AS THE WIDTH OF THE BEAMS.
2. CONTRACTOR IS RESPONSIBLE FOR ALL SITE MEASUREMENTS AND SCHEDULING OF WORK SEQUENCES IN ACCORDANCE WITH THE SPECIFICATIONS. THIS WORK WILL HAVE A SIGNIFICANT IMPACT ON THE REPLACEMENT BEAM FABRICATION AND INSTALLATION SCHEDULE, AND MUST BE CLOSELY ESTABLISHED AND IMPLEMENTED.
3. CONTRACTOR TO COORDINATE INSPECTION OF EXISTING CONCRETE PIER AND STEEL SUPPORTS WITH DEPARTMENTAL REPRESENTATIVE.
4. CONTRACTOR TO CARRY OUT CONCRETE PIER REPAIRS IN ACCORDANCE WITH THE SPECIFICATIONS AND THIS DRAWING. THE REQUIREMENT FOR ADDITIONAL CONCRETE REPAIRS WILL BE DETERMINED BY THE DEPARTMENTAL REPRESENTATIVE, AND WILL BE AS PER THE CONTRACTOR'S SUBMITTED UNIT RATE. CONTRACTOR TO INCLUDE COST FOR TWO CONCRETE REPAIRS IN CONTRACT.
5. CONTRACTOR TO REMOVE EXISTING SOIL BELOW THE BEAMS TO ENSURE THAT THERE IS A 150mm [6"] GAP BETWEEN THE UNDERSIDE OF THE BEAM AND THE TOP OF THE SOIL, FOR THE FULL LENGTH OF THE BEAM.



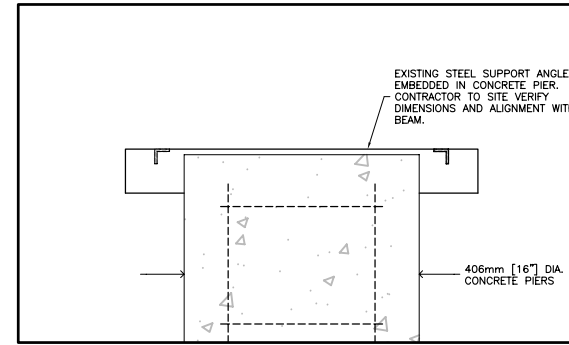
PHOTO OF EXISTING STEEL SUPPORT & CONCRETE PIER



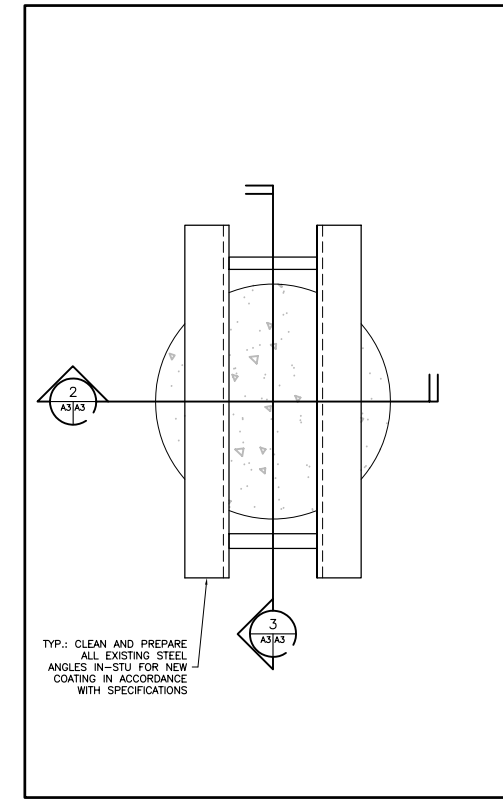
1 PLAN - EXISTING CONCRETE PIER REPAIR
SCALE 1:5



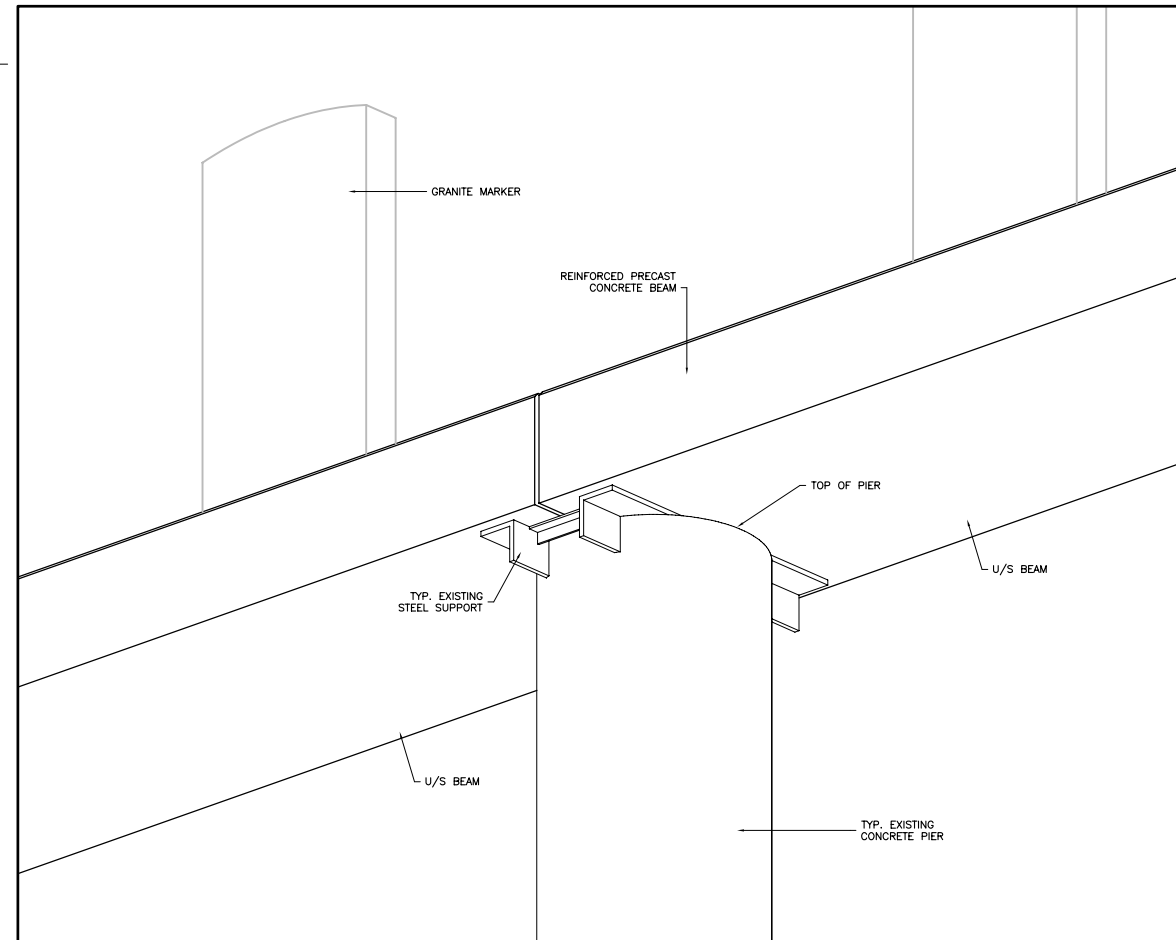
2 SECTION - STEEL SUPPORT
SCALE 1:5



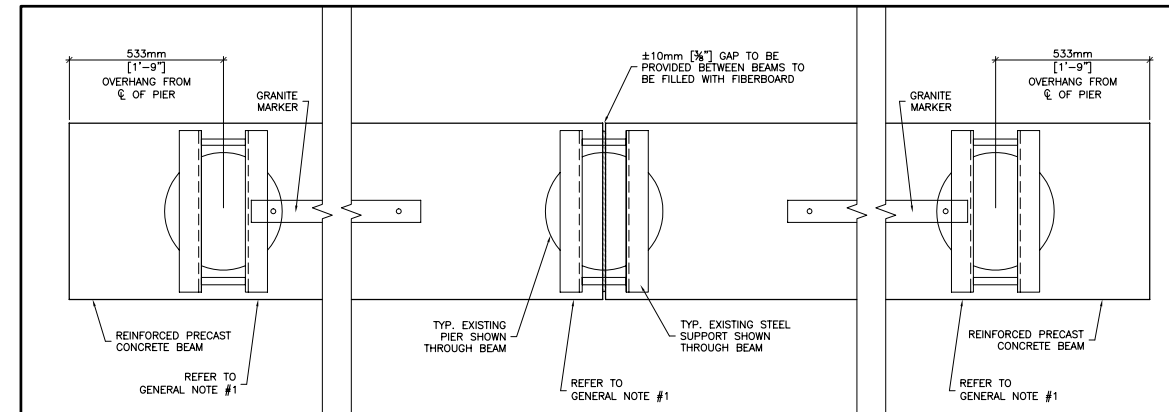
3 SECTION - STEEL SUPPORT
SCALE 1:5



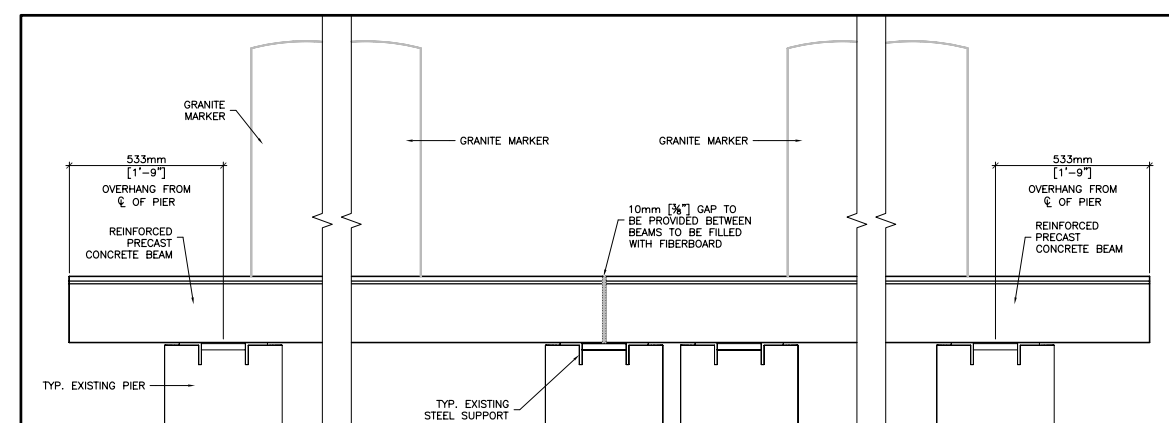
4 PLAN - STEEL ANGLE SEAT
SCALE 1:5



7 ISOMETRIC VIEW - U/S OF CONCRETE BEAM
SCALE 1:5



5 PLAN VIEW - EXISTING LOCATIONS OF PIERS
SCALE 1:10



6 TYPICAL ELEVATION W/ EXISTING PIERS & STEEL SUPPORTS
SCALE 1:10

KEY PLAN
PLAN-REPÈRE

06		
05		
04	REVISED FINAL SUBMISSION	2008/07/28
03	100% FINAL SUBMISSION	2008/01/20
02	99% SUBMISSION	2007/12/13
01	FOR QUALITY REVIEW	2007/12/10
revision		date

A	A detail no. / no. du détail	A
B	B key location empl. c/sé	B/C
C	C detail location empl. du détail	

project / projet
**BROOKSIDE CEMETERY
MARKER MOUNTING
BEAM REPLACEMENT**

WINNIPEG, MANITOBA

drawing / dessin
**BEAM SUPPORT
DETAILS AND
EXISTING CONCRETE
PIER REPAIRS**

designed / conçu	M. McDEVITT	
date	2007/11/19	
drawn / dessiné	C. CHANDLER	
date	2007/11/19	
reviewed / examiné	D. STEPHENSON	
date	2007/12/13	
approved / approuvé		
date		
tender / soumission	WAYNE RAMSEY	
Project Manager / Administrateur de projets		
project no. / no. du projet	116449	

drawing no. / no. du dessin
A-3 of/de A-3

Scale 1:1