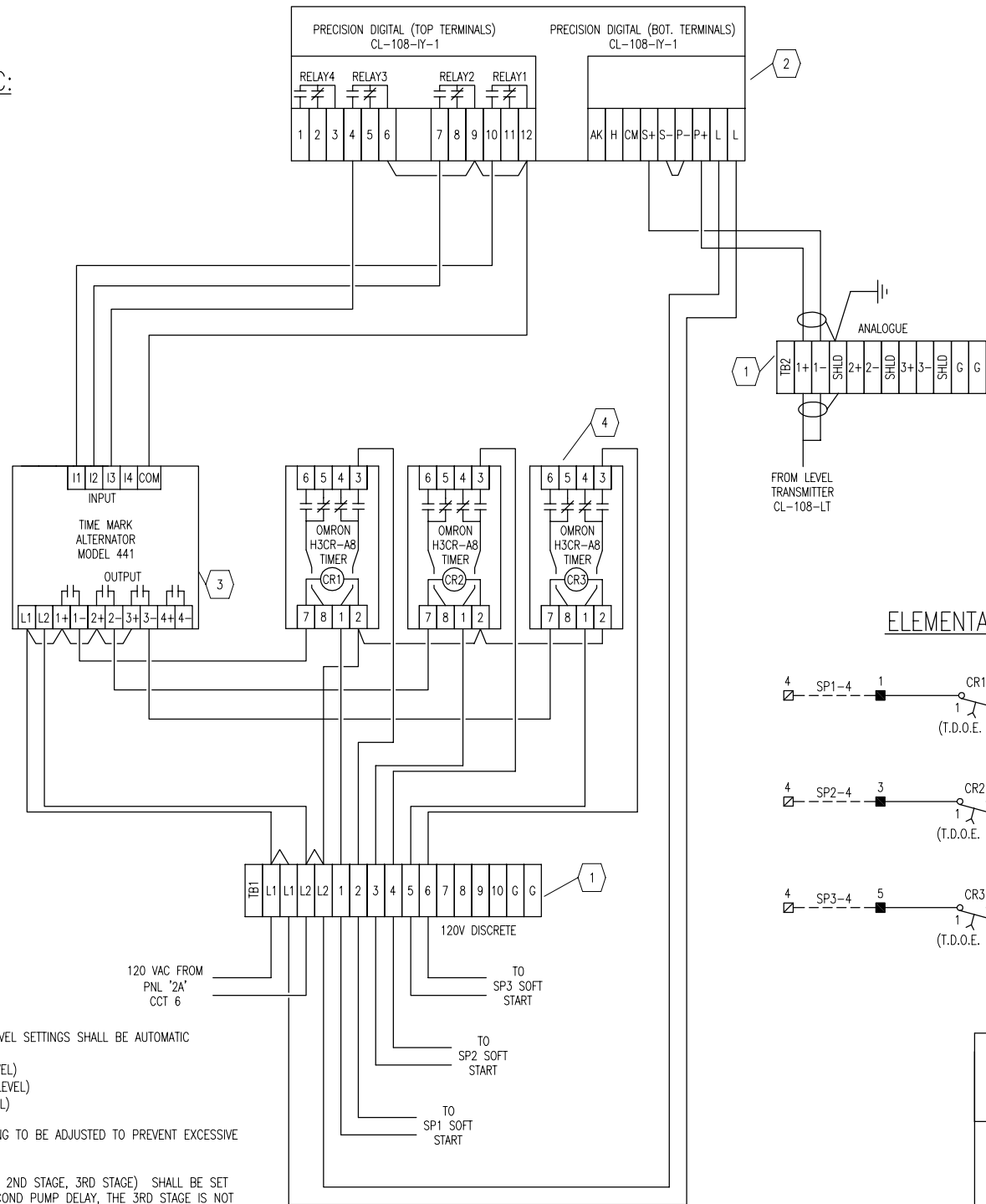


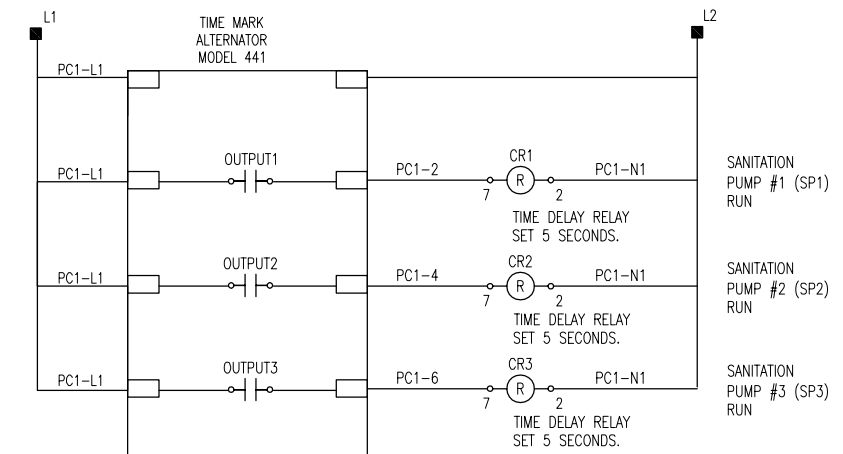
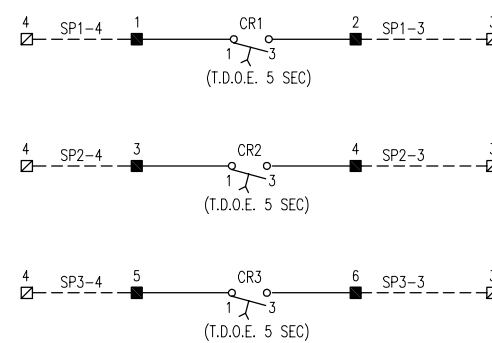
WIRING SCHEMATIC:



BILL OF MATERIAL				
ITEM	QTY	DESCRIPTION	MANUFACTURER & MODEL	CATALOG NUMBER
1	23	SAK 4/35 TERMINALS	WEIDMULLER SAK4	0443660000
	2	TERMINAL END PLATE	WEIDMULLER	0117960000
	AS REQ'D	TERMINAL MARKERS	WEIDMULLER	0468260000
	4	TERMINAL END HOLDER	WEIDMULLER EW35	0383560000
	AS REQ'D	TS35 MOUNTING RAIL	WEIDMULLER	0383400000
	4	GROUND, PE TERMINALS	WEIDMULLER	0661160000
2	1	PRECISION DIGITAL UNIVERSAL PROCESS METER, P/N PD690-3-17	EXISTING - RELOCATE	EXISTING - RELOCATE
3	1	TIME MARK, MODEL 441 MULTI-STAGE ALTERNATOR	TIME MARK	MODEL 441
4	3	120V, SOLID STATE POWER ON-DELAY TIMER	OMRON	MK2PN-S
	1	RELAY OCTAL BASE	OMRON	PF083A-E
	1	RELAY HOLD DOWN CLIP	OMRON	PFC-A1

* ALL MATERIALS TO BE SUPPLIED BY CONTRACTOR AS NEW UNLESS INDICATED OTHERWISE

ELEMENTARY DIAGRAM:



NOTES:

- THE REUSED PRECISION DIGITAL ALARM LEVEL SETTINGS SHALL BE AUTOMATIC RESETTING AND ADJUSTED TO:
RELAY 1: 1ST STAGE, FIRST ON (LOW LEVEL)
RELAY 2: 2ND STAGE, SECOND ON (MID LEVEL)
RELAY 3: 3RD STAGE, THIRD ON (HI LEVEL)
- DEADBAND FOR EACH ALARM LEVEL SETTING TO BE ADJUSTED TO PREVENT EXCESSIVE CYCLING OF PUMPS.
- THE PUMP "ON" LEVEL POINT (1ST STAGE, 2ND STAGE, 3RD STAGE) SHALL BE SET SO THAT DURING THE 2ND STAGE 10 SECOND PUMP DELAY, THE 3RD STAGE IS NOT TRIGGERED.
- OMRON TIMERS SHALL BE SET TO TIME DELAY ON ENERGIZATION (T.D.O.E).
- PROVIDE WIRE TAGS ON BOTH ENDS OF EACH WIRE, AS PER THE ELEMENTARY DIAGRAM.
- ALL TERMINAL BLOCKS AND DEVICES SHOWN ARE TO BE SUPPLIED AND INSTALLED BY THE CONTRACTOR WITHIN MCC '6A' CELL '3A'. THE CONTRACTOR SHALL PROVIDE NEW DEVICES AS PER THE BILL OF MATERIALS. RE-LOCATE, RE-PROGRAM, AND RE-USE THE EXISTING PRECISION DIGITAL PROCESS METER.
- IT IS THE RESPONSIBILITY OF THE CONTRACTOR TO SITE CONFIRM ALL EXISTING ALARM CABLES AND TERMINATE THEM AS REQUIRED IN THE NEW MCC. PROVIDE 6 PAIR #16 CIC, TSP IN 21mm CONDUIT TO THE SCADA REMOTE ANNUNCIATOR.

LEGEND:	
	SOFT START ENCLOSURE TERMINAL BLOCK
	PRECISION DIGITAL TERMINAL BLOCK
	ALTERNATOR TERMINAL BLOCK
	MCC CONTROL ENCLOSURE TERMINAL
	CONTACTOR
	RELAY
	TIME DELAY CONTACTOR

B.M. ELEV.	FIELD BOOK #:		SNC-LAVALIN INC. 148 Notaire Park Way Winnipeg, MB, Canada R3P 0X7 204-786-8080	ENGINEER'S SEAL	 THE CITY OF WINNIPEG WATER AND WASTE DEPARTMENT
POSTED TO LBIS				DESIGNED BY D.E. BECKER	
		DRAWN BY D.E. BECKER	APPROVED BY C. REIMER	BID OPPORTUNITY 613-2008	CITY DRAWING NUMBER: 06805 SHEET: 11 OF 17 REV: 11 01 D
		HOR. SCALE: 1:1	RELEASED FOR CONSTRUCTION		
01 ISSUED FOR TENDER	2008/07/25	VERTICAL	DATE		
00 ISSUED FOR TENDER	2007/12/11	DATE	2007/05/01		
NO. REVISIONS	DATE	BY	FILENAME: 06805.dwg		



DRAWING NUMBER	REFERENCE DRAWINGS
----------------	--------------------