

SUPERSTRUCTURE FLOOR PLAN
1:50

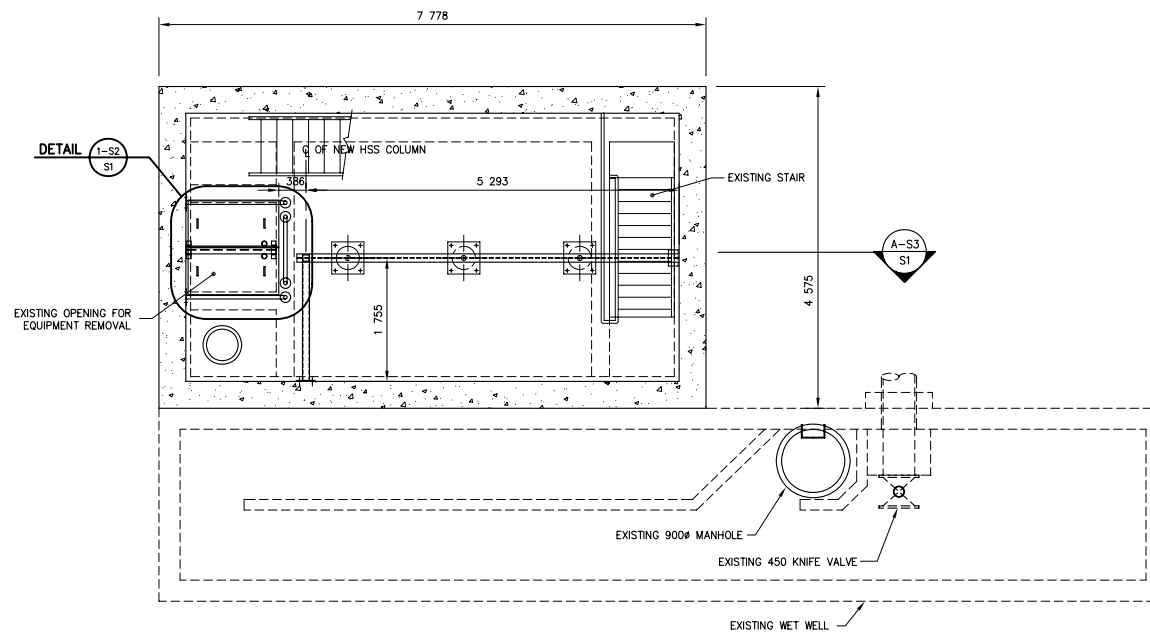


GENERAL NOTES:

- DESIGN IS IN ACCORDANCE WITH THE NATIONAL BUILDING CODE OF CANADA 2005 EDITION PLUS 1998 MANITOBA AMENDMENTS.
- DESIGN LOADS ARE AS NOTED BELOW:
FLOOR LIVE LOADS:
HATCHES 3.6 kPa
ALL OTHER AREAS 3.6 kPa

MISCELLANEOUS METAL:

- ALL STRUCTURAL STEEL SHAPES AND PLATES SHALL BE IN ACCORDANCE WITH CAN/CSA G40.21, GRADE 300W, EXCEPT W, HP AND HSS SECTIONS WHICH SHALL BE GRADE 350W CLASS C.
- ALL GALVANIZING SHALL COMPLY WITH THE LATEST EDITION OF CSA G164, WITH MINIMUM ZINC COATING OF 600g/m². TOUCH UPS TO BE MADE WITH GALVALLOY OR GAL-VIZ.
- ALL BOLTS TO BE ASTM A316 STAINLESS STEEL, UNLESS OTHERWISE INDICATED.
- INSTALL HILTI BOLTS AS PER MANUFACTURER'S RECOMMENDATION.



MOTOR ROOM FLOOR PLAN
1:50

Jul 31, 2008 - 11:0am
P:\1900 - 4199\41932 Baltimore Westwater Pumping Station Modifications\Drawings\41932 Baltimore Pumping Station Mod_01 080701.dwg -tab:PLAN

APEGM
Certificate of Authorization
MMM Group Limited
No. 4531 Date: 08.07.29

METRIC
WHOLE NUMBERS INDICATE MILLIMETRES
DECIMALIZED NUMBERS INDICATE METRES

A-B
C
A = DETAIL/SECTION No.
B = DRAWING WHERE SHOWN
C = DRAWING WHERE TAKEN

DESIGNED BY	DM	CHECKED BY	GK
DRAWN BY	TR	APPROVED BY	JPL
1 ISSUED FOR TENDER	08.07.29	GK	
0 FOR C.O.W. REVIEW	08.03.11	GK	
No. REVISIONS	DATE	BY	

MMM GROUP
MMM Group Limited
Suite 111 - 93 Lombard Ave.
Winnipeg, MB R3B 3B1
T. 204.943.3178
F. 204.943.4948
www.mmm.ca

DESIGNED BY: DM
CHECKED BY: GK
DRAWN BY: TR
APPROVED BY: JPL
HOR. SCALE: AS SHOWN
VERTICAL: AS SHOWN
RELEASED FOR CONSTRUCTION: DATE

ENGINEER'S SEAL
PROVINCE OF MANITOBA
J. P. LUKASHENKO
REGISTERED PROFESSIONAL ENGINEER

THE CITY OF WINNIPEG
WATER AND WASTE DEPARTMENT
Winnipeg

2008 PUMPING STATION UPGRADES
INSTALLATION OF NEW PUMPING UNITS
AND MODIFICATIONS TO THE
BALTIMORE PUMPING STATION
PLAN & DETAILS

CONSULTANT DRAWING NUMBER: 41932-S1
SHEET 13 OF 17
CITY DRAWING NUMBER: 06807

BID OPPORTUNITY 613-2008
PLOT DATE: 2008 07 29