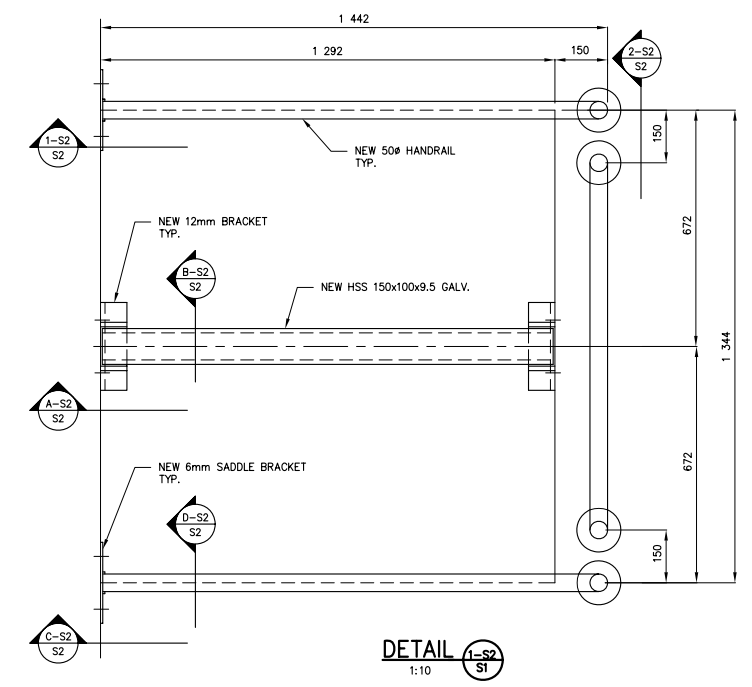
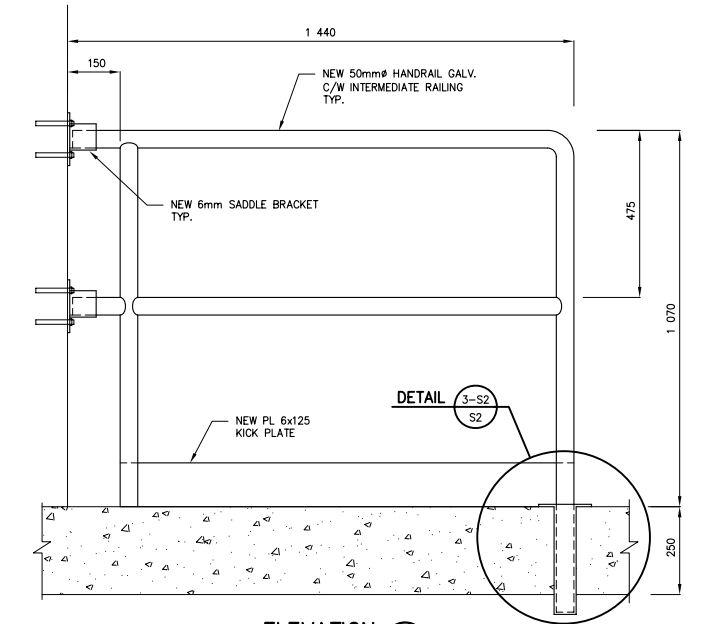


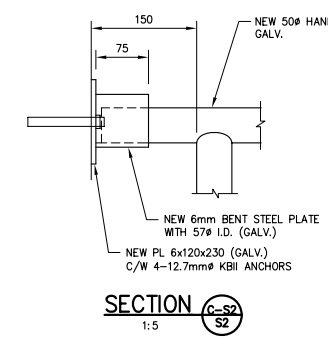
Jul 31, 2008 - 11:10am
 P:\1900 - 4199\41932 Baltimore Westwater Pumping Station Modifications\Drawings\41932 Baltimore Pumping Station Mod_01 0807031.dwg -0801-HANDRAIL



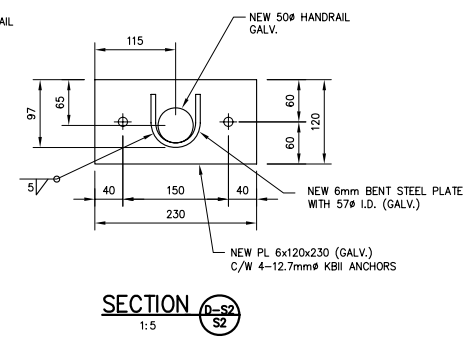
DETAIL 1-S2
1:10



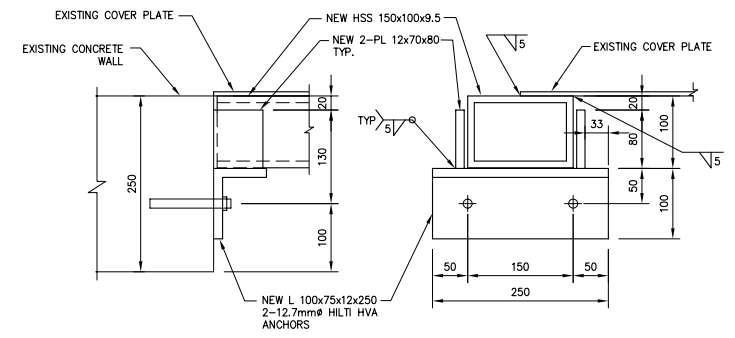
ELEVATION 1-S2
1:10



SECTION C-S2
1:5

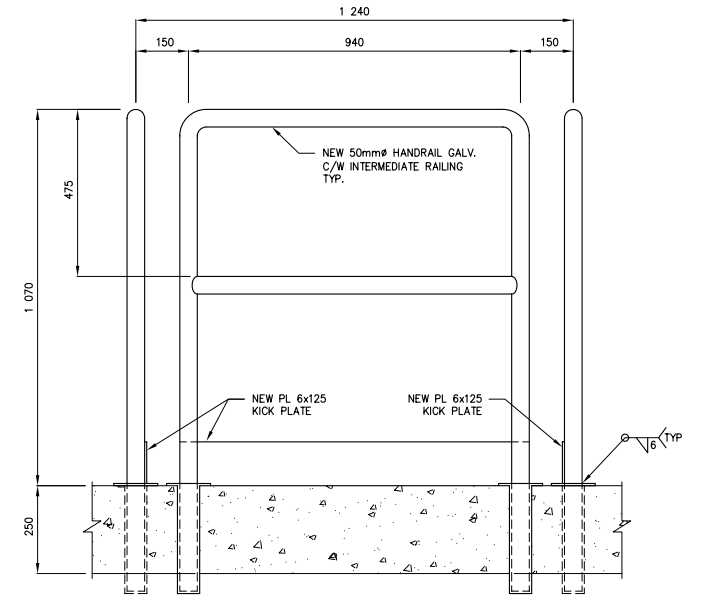


SECTION D-S2
1:5

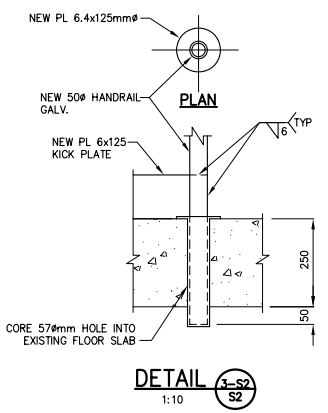


SECTION A-S2
1:5

SECTION B-S2
1:5



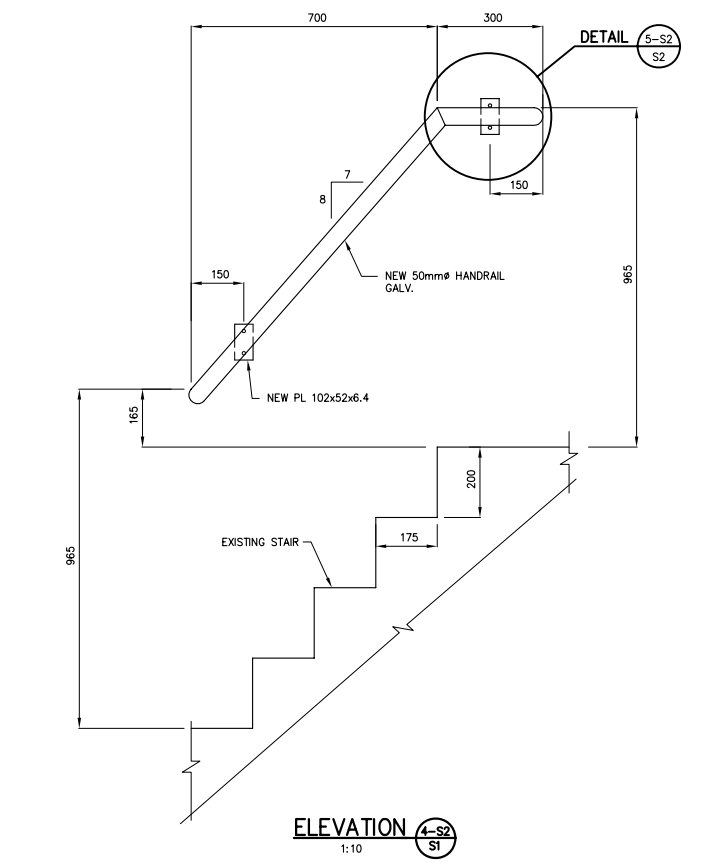
ELEVATION 2-S2
1:10



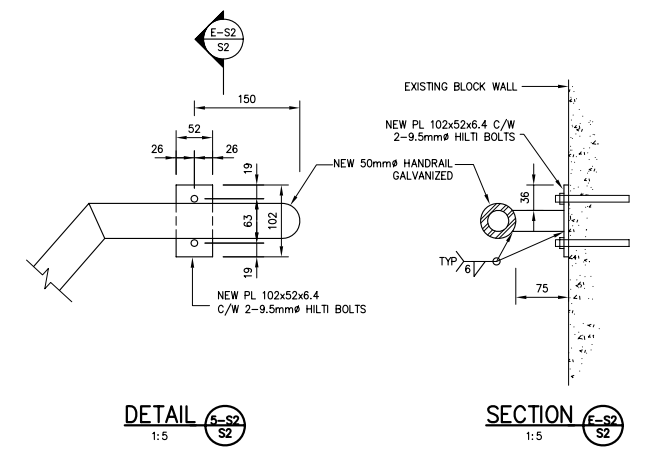
DETAIL 3-S2
1:10

METRIC
 WHOLE NUMBERS INDICATE MILLIMETRES
 DECIMALIZED NUMBERS INDICATE METRES

A = DETAIL/SECTION No.
 B = DRAWING WHERE SHOWN
 C = DRAWING WHERE TAKEN



ELEVATION 4-S2
1:10



DETAIL 5-S2
1:5

SECTION E-S2
1:5

DESIGNED BY DM DRAWN BY TR			CHECKED BY GK APPROVED BY JPL			2008 PUMPING STATION UPGRADES INSTALLATION OF NEW PUMPING UNITS AND MODIFICATIONS TO THE BALTIMORE PUMPING STATION HANDRAIL & HATCH OPENING DETAILS		
HOR. SCALE AS SHOWN VERTICAL			RELEASED FOR CONSTRUCTION DATE			CONSULTANT DRAWING NUMBER 41932-S2 SHEET 14 OF 17 CITY DRAWING NUMBER 06808		
No. REVISIONS 1 ISSUED FOR TENDER 08.07.29 GK 0 FOR C.O.W. REVIEW 08.03.11 GK			DATE 2008 07 29			BID OPPORTUNITY 613-2008 PLOT DATE: 2008 07 29		