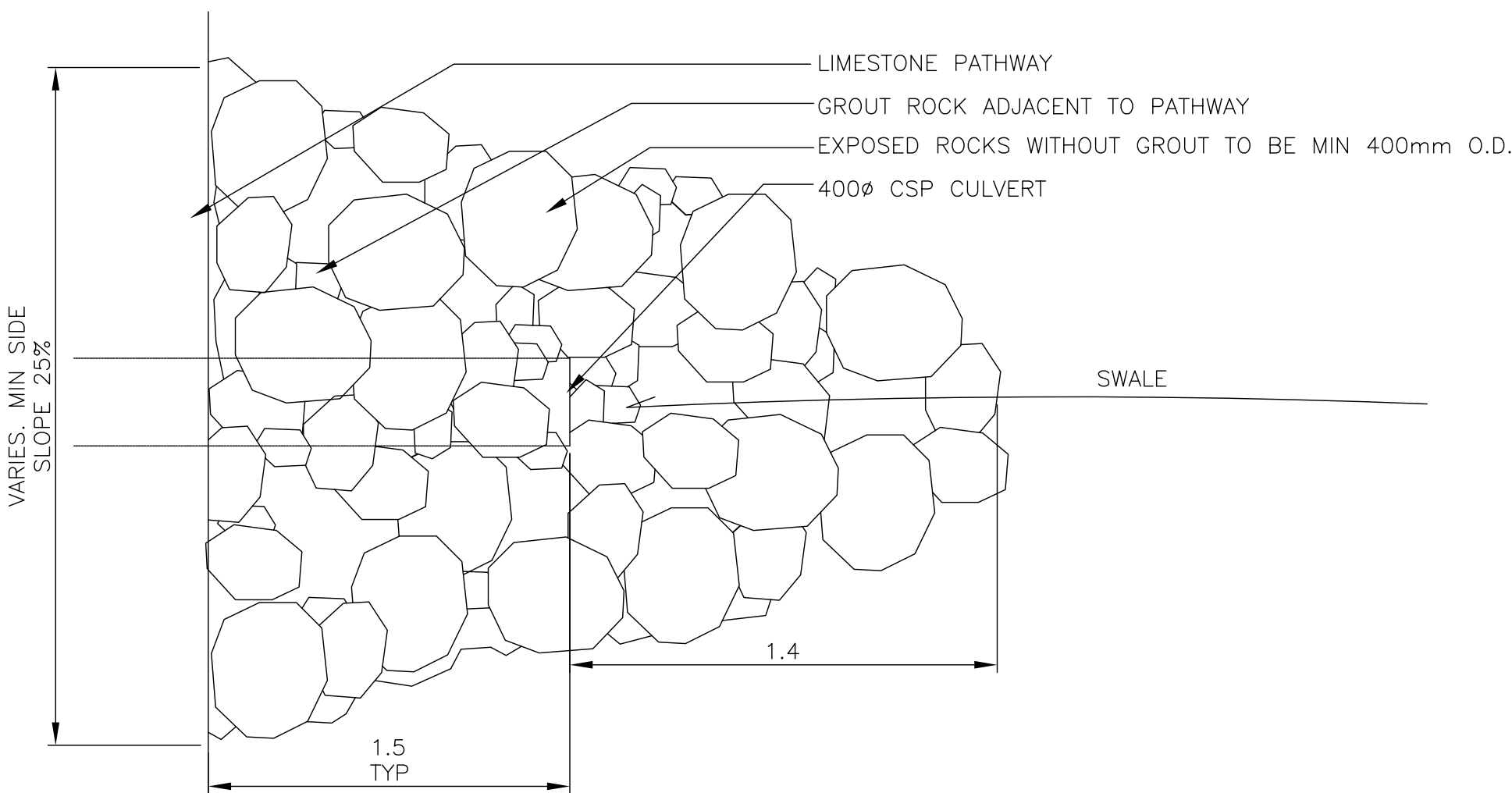
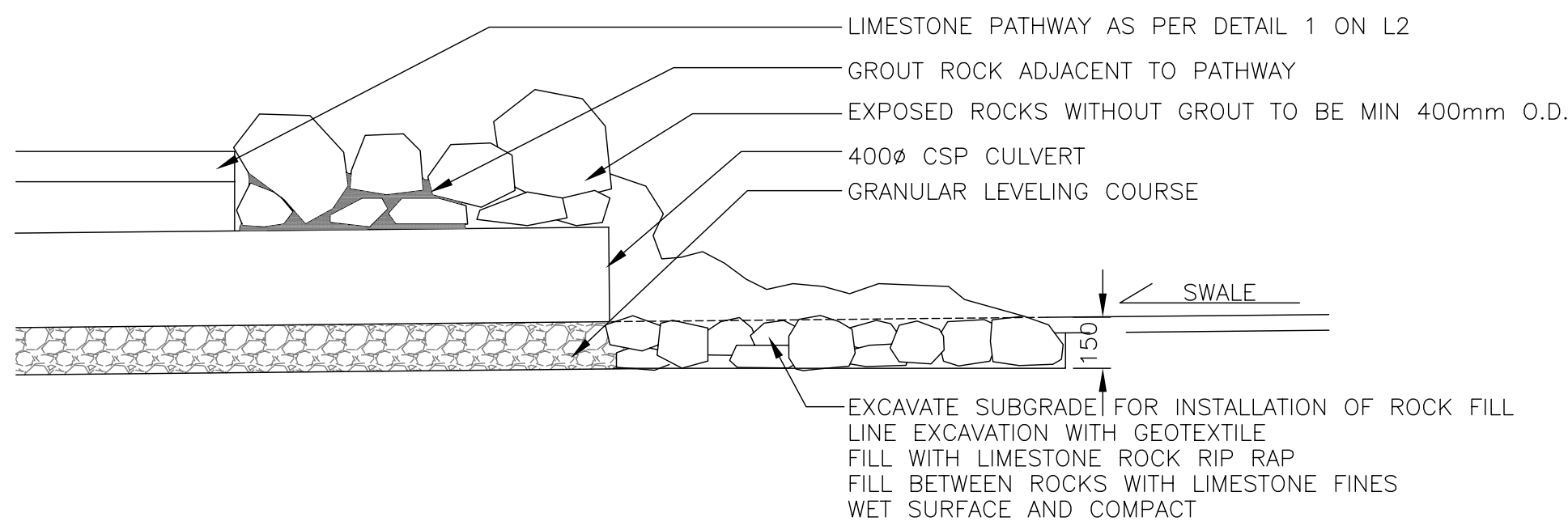
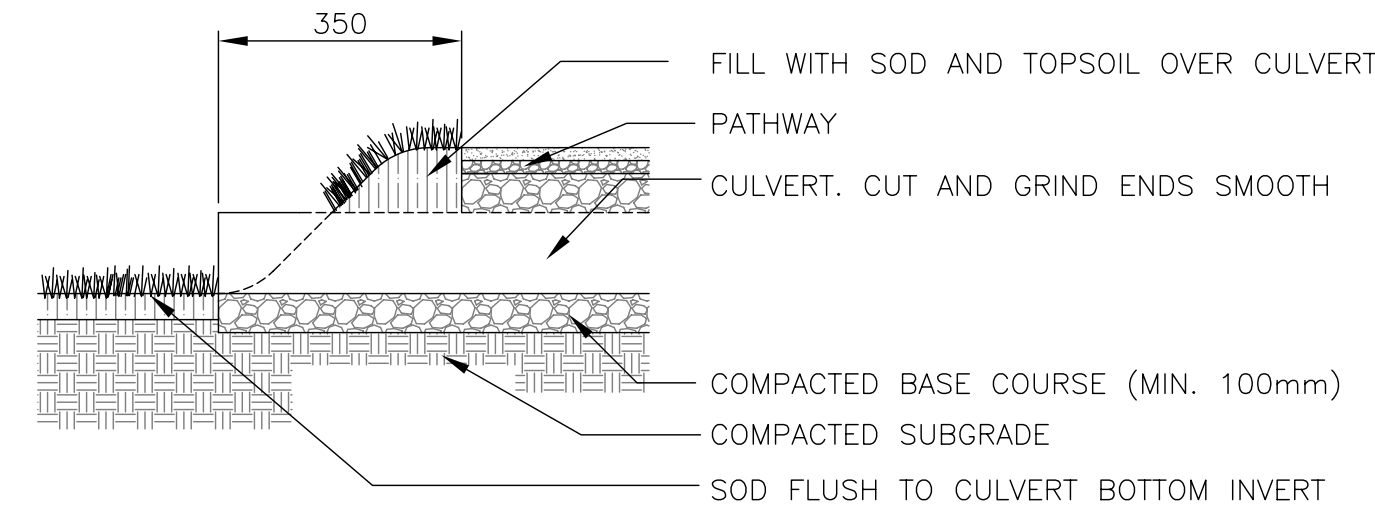


NOTE:  
 - GRADE PATHWAY TO DRAIN:  
 MIN. 1.5% CROSS SLOPE  
 MAX. 2% CROSS SLOPE  
 MIN. 1.5% LONGITUDINAL SLOPE  
 MAX. 5% LONGITUDINAL SLOPE  
 WIDTH 2.4m

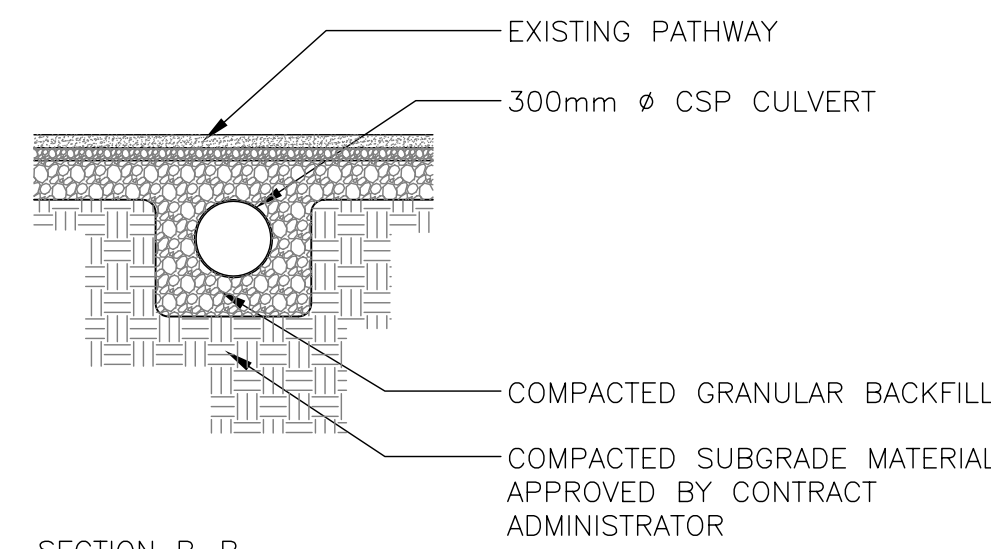
**1 CRUSHED LIMESTONE PATHWAY**  
 L1.1 N.T.S.



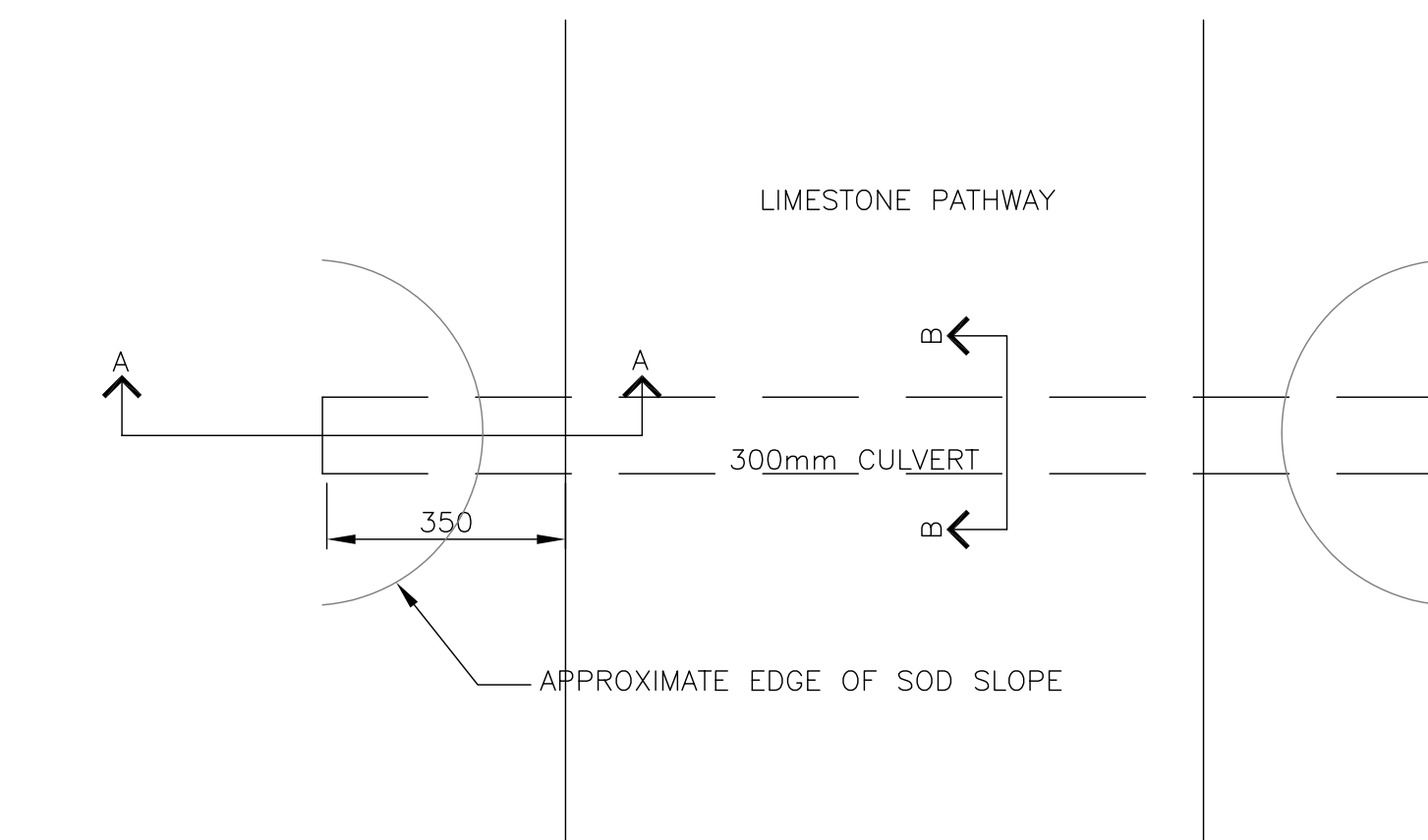
**2 TYPICAL 400mm CSP CULVERT WITH ROCK RIP RAP**  
 L1.1 N.T.S.



SECTION A-A



SECTION B-B



PLAN

**3 300mm TEMPORARY CULVERT**  
 L1.1 N.T.S.

ISSUED FOR TENDER	31/07/08	TM
No. Revisions	Date	By
31-JUL-08	AS NOTED	
Designed By	Drawn By	Checked By
SR	TM	SR
Seals		



Project Title  
**OLD EX PARK-  
 SGT. TOMMY PRINCE PARK  
 PATHWAY CONNECTION**

Sheet Title  
**DETAILS**



Project No. 08-045 Drawing No. L3