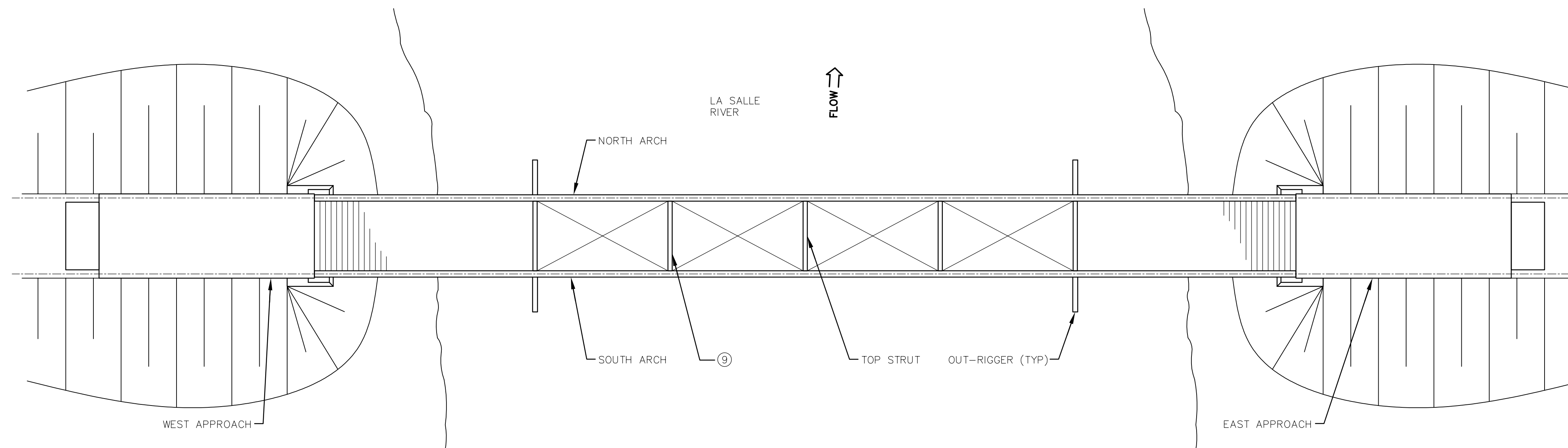


SOUTH ARCH ELEVATION
SCALE: 1:100



UPPER PLAN
SCALE: 1:100

SCOPE OF WORK SUMMARY

1. SOUTH ARCH REPAIRS
2. NORTH ARCH REPAIRS (NEXT SHEET)
3. TENSION TIES REPAIR (THIS SHEET AND NEXT SHEET)
4. DECK AND STRINGER REPLACEMENT (NEXT SHEET)
5. RAILING REMOVAL AND REINSTALLATION (THIS SHEET AND NEXT SHEET)
6. REPAINTING AND PAINTING (THIS SHEET AND NEXT SHEET)

LEGEND
IF = INSIDE FACE
OF = OUTSIDE FACE
BF = BOTH FACES

- ① REPAIR SURFACE ROT.
- ② REPAIR DE-LAMINATION AND CHECKS IN ARCH.
- ③ REMOVE, STORE, AND RE-INSTALL RAILINGS.
- ④ REPLACE DECK PLANKS WITH NAIL-LAMINATED LUMBER.
- ⑤ REPLACE TOP LAMINATE OF GLULAM TENSION TIES (FULL LENGTH).
- ⑥ N/A TO THIS SHEET.
- ⑦ CONTINGENCY REPAIR ROT BELOW TOP LAMINATE (EACH LOCATION TO BE FIELD-CONFIRMED AFTER DECK REMOVAL).
- ⑧ REPAIR CHECK IN TENSION TIE.
- ⑨ PAINT NEW DECK AND REPAINT ENTIRE TIMBER SUPERSTRUCTURE.
- ⑩ REPAINT EACH ABUTMENT (EXPOSED SURFACES).

METRIC

ALL DIMENSIONS ARE IN mm UNLESS NOTED OTHERWISE



| | | | | | |
|----------------------|----------|--|--|---|--|
| | | | THE CITY OF WINNIPEG PUBLIC WORKS DEPARTMENT ENGINEERING DIVISION | | |
| | | LA BARRIERE PARK PEDESTRIAN BRIDGE WINNIPEG, MANITOBA | | BID OPPORTUNITY 625-2008 SHEET 2 OF 6 | |
| DESIGNED BY | AP | CHECKED BY | ND | CONSULTANT DRAWING NO. 02 | |
| DRAWN BY | KC | APPROVED BY | ND | | |
| HOR. SCALE: AS NOTED | | RELEASED FOR CONSTRUCTION BY: | | GENERAL ARRANGEMENT B130-08-02 | |
| VERTICAL: | | DATE | | | |
| 0 ISSUED FOR TENDER | 08/08/01 | KC | 2008/07/24 | | |
| NO. REVISIONS | DATE | BY | DATE | | |