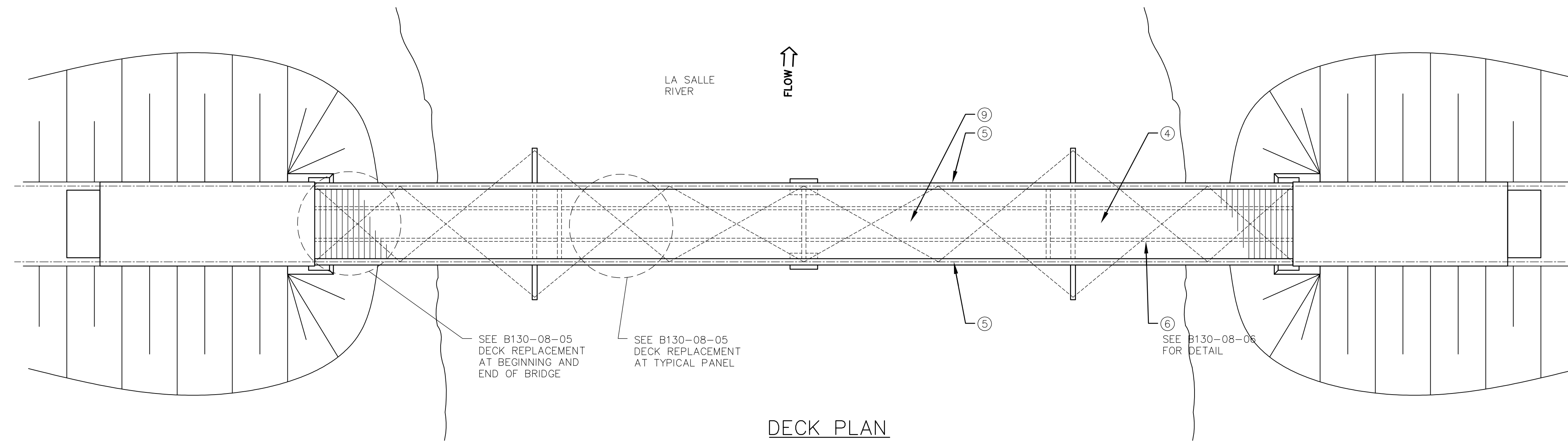


NORTH ARCH ELEVATION
SCALE: 1:100



DECK PLAN
SCALE: 1:100

NOTE:
SEE SCOPE OF WORK SUMMARY ON
B-130-08-02

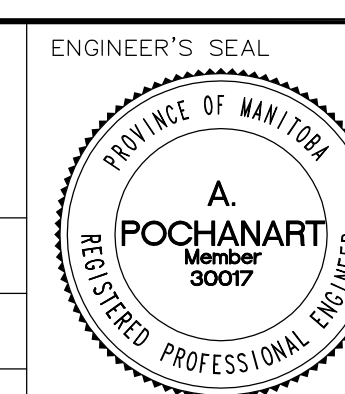
- LEGEND
IF = INSIDE FACE
OF = OUTSIDE FACE
BF = BOTH FACES
- ① REPAIR SURFACE ROT.
 - ② REPAIR DE-LAMINATION AND CHECKS IN ARCH.
 - ③ REMOVE, STORE, AND RE-INSTALL RAILINGS.
 - ④ REPLACE DECK PLANKS WITH NAIL-LAMINATED LUMBER.
 - ⑤ REPLACE TOP LAMINATE OF GLULAM TENSION TIE (FULL LENGTH)
 - ⑥ REPLACE STRINGER IN END BAY AND REPLACE OTHER STRINGERS AND/OR FLOOR BEAMS AS REQUIRED FROM INSPECTION.
 - ⑦ CONTINGENCY REPAIR ROT BELOW TOP LAMINATE (EACH LOCATION TO BE FIELD-CONFIRMED AFTER DECK REMOVAL).
 - ⑧ REPAIR CHECK IN TENSION TIE.
 - ⑨ PAINT NEW DECK AND REPAINT ENTIRE TIMBER SUPERSTRUCTURE.
 - ⑩ REPAINT EACH ABUTMENT (EXPOSED SURFACES)

METRIC

ALL DIMENSIONS ARE IN mm UNLESS NOTED OTHER WISE



EARTH TECH AECOM			
DESIGNED BY	AP	CHECKED BY	ND
DRAWN BY	KC	APPROVED BY	ND
HOR. SCALE: AS NOTED		RELEASED FOR CONSTRUCTION BY:	
VERTICAL:		DATE	
0	ISSUED FOR TENDER	08/08/01	KC
NO.	REVISIONS	DATE	BY
		2008/07/24	



ENGINEER'S SEAL

PROVINCE OF MANITOBA
A. POCHANART
Member 3007
REGISTERED PROFESSIONAL ENGINEER

CONSULTANT DRAWING NO. 03

THE CITY OF WINNIPEG
PUBLIC WORKS DEPARTMENT
ENGINEERING DIVISION

LA BARRIERE PARK PEDESTRIAN BRIDGE
WINNIPEG, MANITOBA

BID OPPORTUNITY 625-2008

SHEET 3 OF 6

CITY DRAWING NUMBER B130-08-03

LONGITUDINAL SECTION AND DECK PLAN