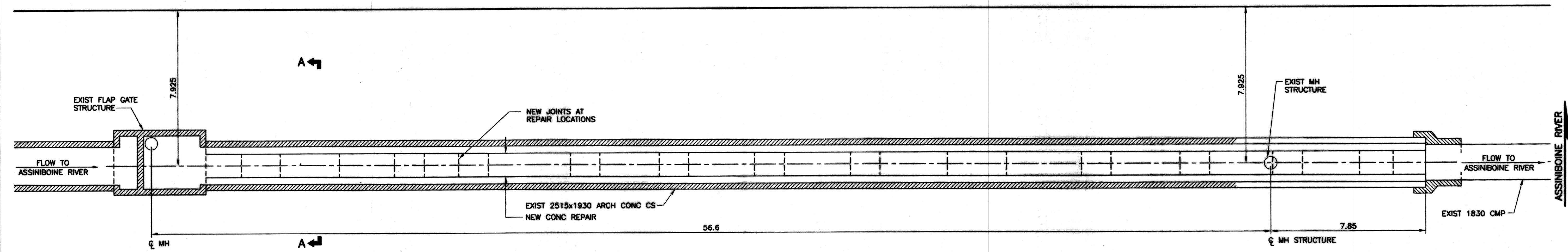
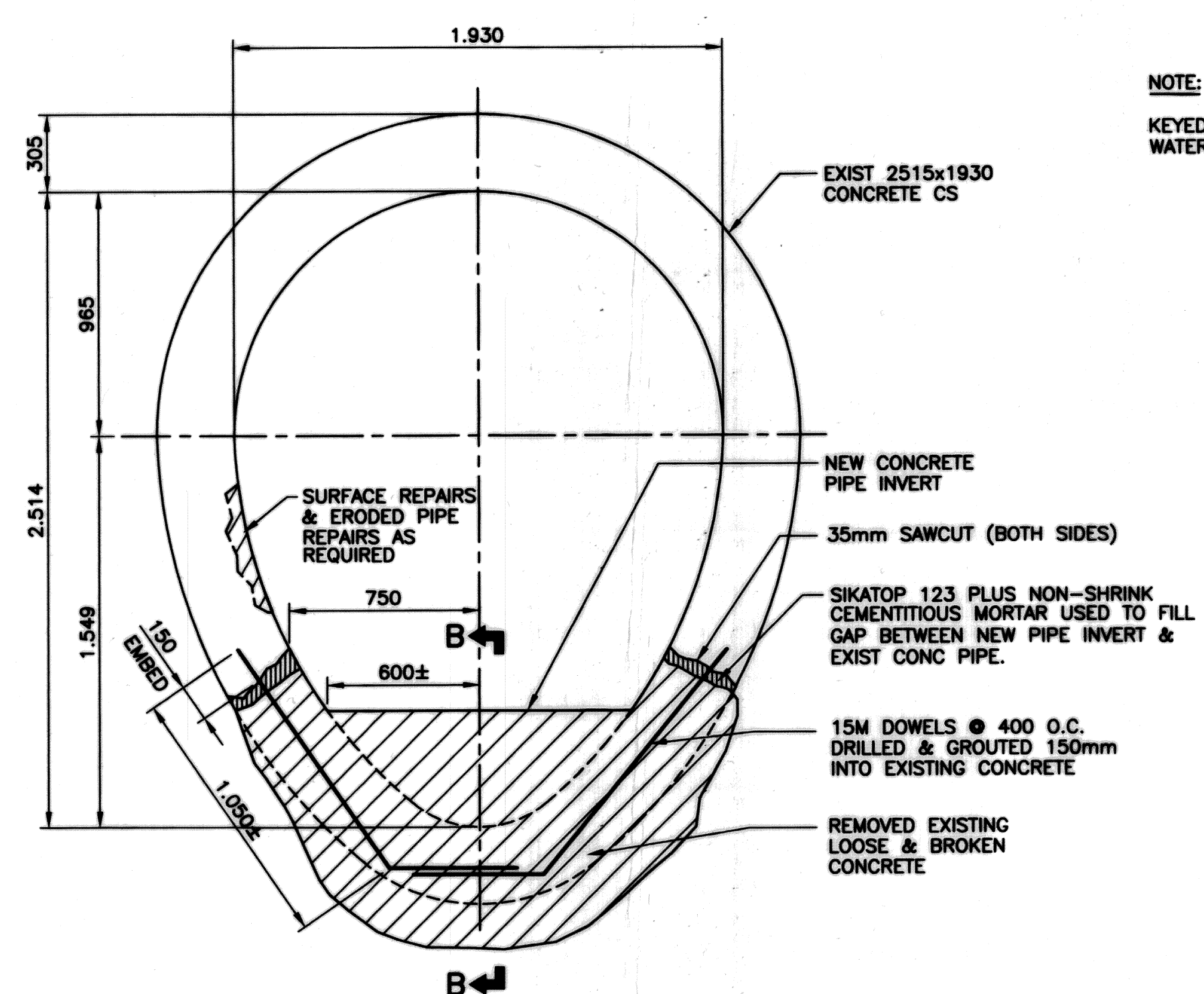


CONWAY STREET R.O.W.



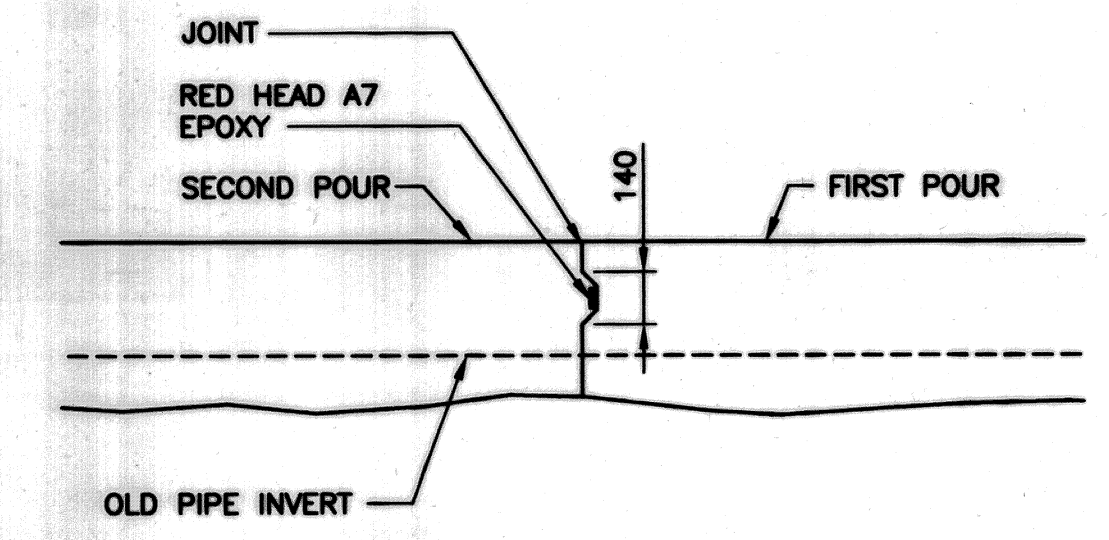
PIPE REPAIR PLAN
SCALE: 1:100



NOTE:
1. CONCRETE PIPE INVERT REMOVED & NEW CONCRETE PLACED IN STAGGERED INCREMENTS (SEE PIPE REPAIR PLAN)

SECTION A-A
SCALE: 1:20

NOTE:
KEYED CONSTRUCTION JOINT AND PROVIDED WATER STOP AS DETAILED.



SECTION B-B
SCALE: NTS

PROPERTY LIMITS DELINEATION
DELINEATION OF PROPERTY LIMITS AS SHOWN ON THIS DWG DOES NOT REPRESENT A "LEGAL SURVEY". KGS GROUP MAKES NO REPRESENTATION OR WARRANTY AS TO THE ACCURACY OF PROPERTY LIMITS DELINEATED ON THIS DWG, NOR ON THE DIMENSIONAL ACCURACY OF DWG FEATURES RELATIVE TO THOSE PROPERTY LIMITS.

AS-CONSTRUCTED
WATER & WASTE DEPARTMENT
PROJECT COMPLETION DATE 25 APRIL 2007

METRIC
WHOLE NUMBERS INDICATE MILLIMETRES
DECIMALIZED NUMBERS INDICATE METRES

APEGN
Certificate of Authorization
KGS Group
No. 245 Expiry: April 30, 2008

LOCATION APPROVED UNDERGROUND STRUCTURES

SUPV. U/G STRUCTURES COMMITTEE	DATE

NOTE:
LOCATION OF UNDERGROUND STRUCTURES AS SHOWN ARE BASED ON THE BEST INFORMATION AVAILABLE BUT NO GUARANTEE IS GIVEN THAT ALL EXISTING UTILITIES ARE SHOWN OR THAT THE GIVEN LOCATIONS ARE EXACT. CONFIRMATION OF EXISTENCE AND EXACT LOCATION OF ALL SERVICES MUST BE OBTAINED FROM THE INDIVIDUAL UTILITIES BEFORE PROCEEDING WITH CONSTRUCTION.

B.M. 39-007 ELEV. 236.708m	74M609-TBLT. IN CONC. PLATFORM OF PUMPHOUSE, S. OF PORTAGE AVE. @ CONWAY ST., 0.4m S.W. OF N.E. COR. OF PLATFORM.		
2	AS-BUILT	19/03/07	RJH
1	ISSUED FOR CONSTRUCTION	12/12/06	RJH
0	ISSUED FOR TENDER	07/12/06	RJH
A	ISSUED FOR REVIEW	06/12/06	RJH
NO.	REVISIONS	DATE	BY

KGS GROUP CONSULTING ENGINEERS & PROJECT MANAGERS
WINNIPEG (204) 888-1200
THUNDER BAY (807) 345-2233

DESIGNED BY	RJL	CHECKED BY	RJH
DRAWN BY	DW	APPROVED BY	
HOR. SCALE:	1:250	RELEASED FOR CONSTRUCTION:	
VERTICAL:	1:50	DATE	27/11/06

ENGINEER'S SEAL
R.J. HOUSTON
Member
Professional Engineer
CONSULTANT DRAWING NO.
06-107-23

THE CITY OF WINNIPEG WATER & WASTE DEPARTMENT
CONWAY OUTFALL REHABILITATION

DETAILS

SHEET	02	OF	02
CAD FILE DRAWING NUMBER	06-107-23 PLOT.DWG		
CITY DRAWING NUMBER	LD-3449		

P:\PROJECTS\2006\06-0107-23\WUN\DWGS\PLOT.DWG
A-1 PLOT 1:1