

PHASE A = RED
 PHASE B = BLACK
 PHASE C = BLUE

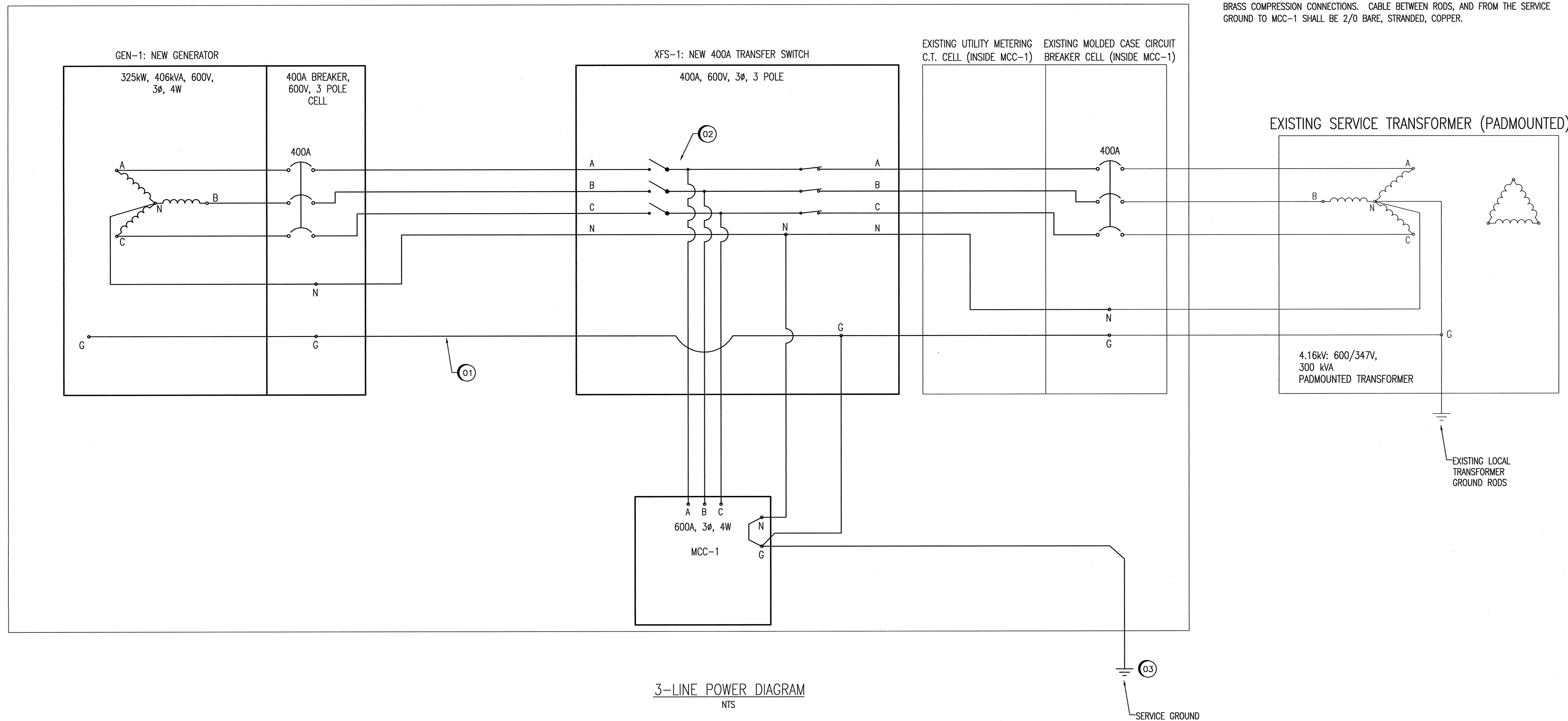
GENERAL NOTES:

1. ALL NON-CURRENT CARRYING METAL STRUCTURES, METAL FRAMES, METAL ENCLOSURES, ETC. SHALL BE BONDED TO GROUND WITH BONDING CONDUCTOR SIZED AS PER CEC TABLE 16.

SPECIFIC NOTES:

- 01 GROUNDING CONDUCTOR SHALL BE #3 COPPER, STRANDED, INSULATED, GREEN COLOUR UNLESS NOTED OTHERWISE. TYPICAL.
- 02 MECHANICALLY INTERLOCKED SWITCH TO PREVENT CLOSING IN TWO POWER SUPPLIES AT THE SAME TIME.
- 03 PROVIDE NEW SERVICE GROUND, AND GROUND CABLE TO MCC-1. SERVICE GROUND SHALL CONSIST OF FOUR (4) 3048mm X 19mm COPPER CLAD RODS, ORIENTED IN A SQUARE, ONE ROD LENGTH APART BURIED 300mm BELOW GRADE. CONNECTIONS SHALL BE CAD WELD, OR BRASS COMPRESSION CONNECTIONS. CABLE BETWEEN RODS, AND FROM THE SERVICE GROUND TO MCC-1 SHALL BE 2/0 BARE, STRANDED, COPPER.

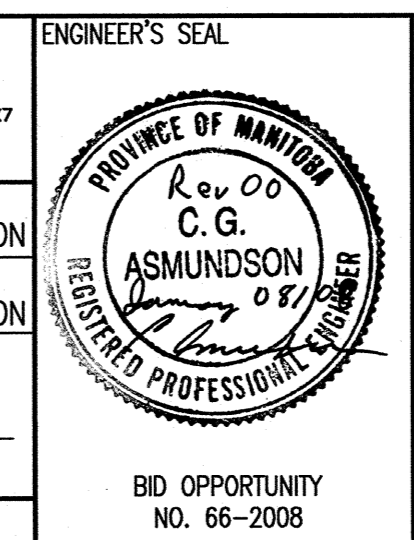
EXISTING ELECTRICAL BUILDING



1044, 1046, 1048	SUPERCEDED DRAWING SET
06053	STRUCTURAL DRAWING SET
06051-06052	MECHANICAL DRAWING SET
06090-06092	ELECTRICAL DRAWING SET
06044-06049	ELECTRICAL DRAWING SET
DRAWING NUMBER	REFERENCE DRAWINGS



B.M. ELEV.	FIELD BOOK #:	SNC-LAVALIN INC. 148 Nature Park Way Winnipeg, MB, Canada R3P 0X7 204-786-8080	
POSTED TO LBIS		DESIGNED BY D. BECKER	CHECKED BY C. ASMUNDSON
		DRAWN BY D. CALVERLEY	APPROVED BY C. ASMUNDSON
		HOR. SCALE NTS	RELEASED FOR CONSTRUCTION
		VERTICAL	DATE
00 ISSUED FOR CONSTRUCTION	08/01/18 AEO	DATE 07/04/30	DATE
NO. REVISIONS	DATE BY	FILENAME: 113049-47DD-0000-0004.dwg	



THE CITY OF WINNIPEG
 WATER AND WASTE DEPARTMENT

WINDSOR PARK WASTEWATER PUMPING STATION
 GENERATOR UPGRADE
 DIAGRAM
 ELECTRICAL 3-LINE

CITY DRAWING NUMBER: 06047
 SHEET: 001
 REV: 00
 SIZE: D

BID OPPORTUNITY NO. 66-2008