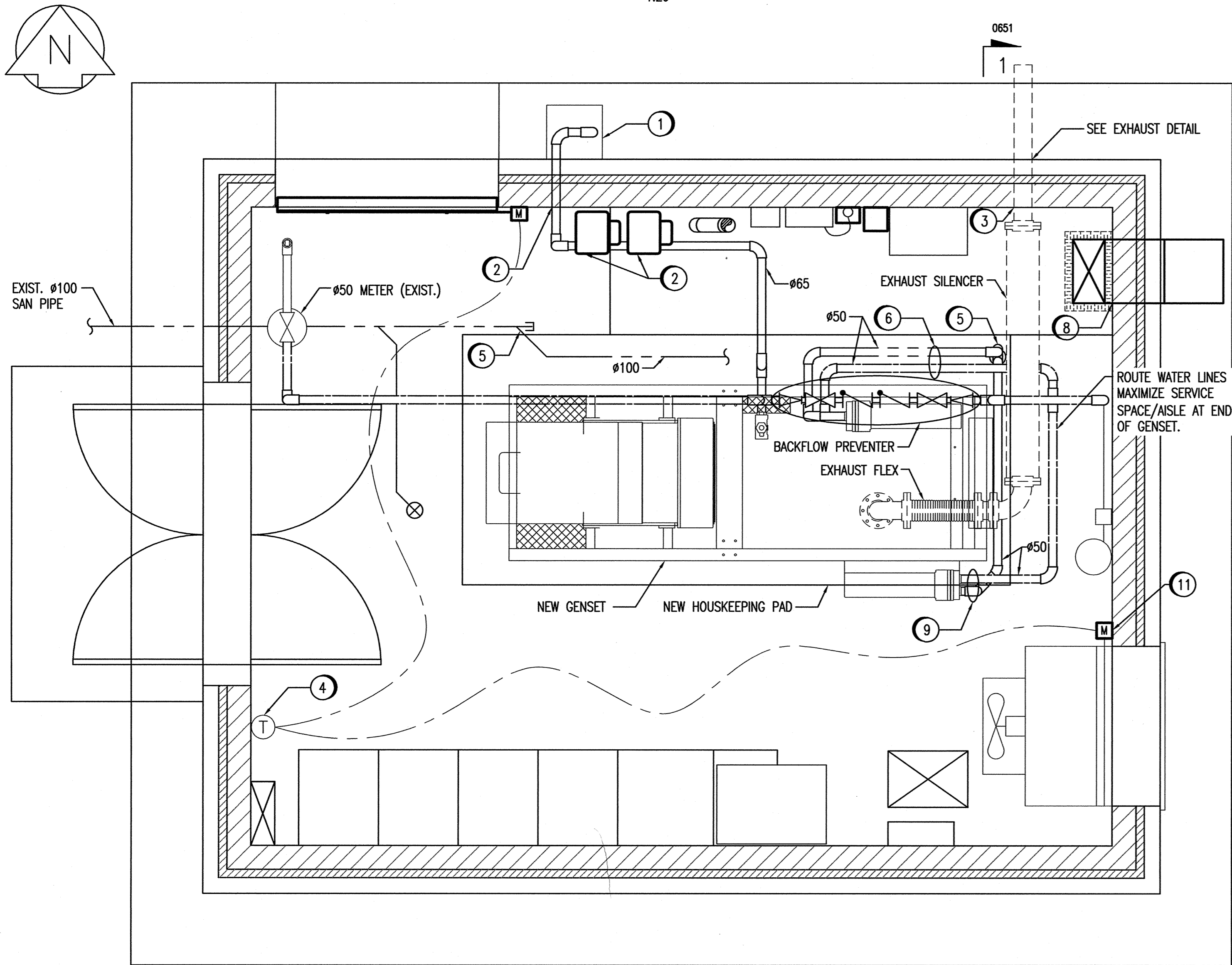
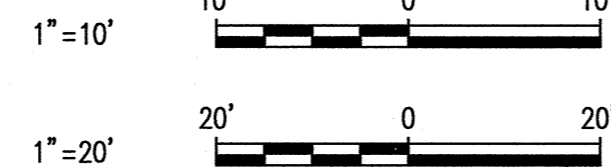


SECTION 2-2
1:20



PLAN - GENERATOR BUILDING
1:20



APEGM
Certificate of Authorization
SNC-Lavalin Inc.
No. 4489 Expiry: April 30, 2008

GENERAL NOTES:

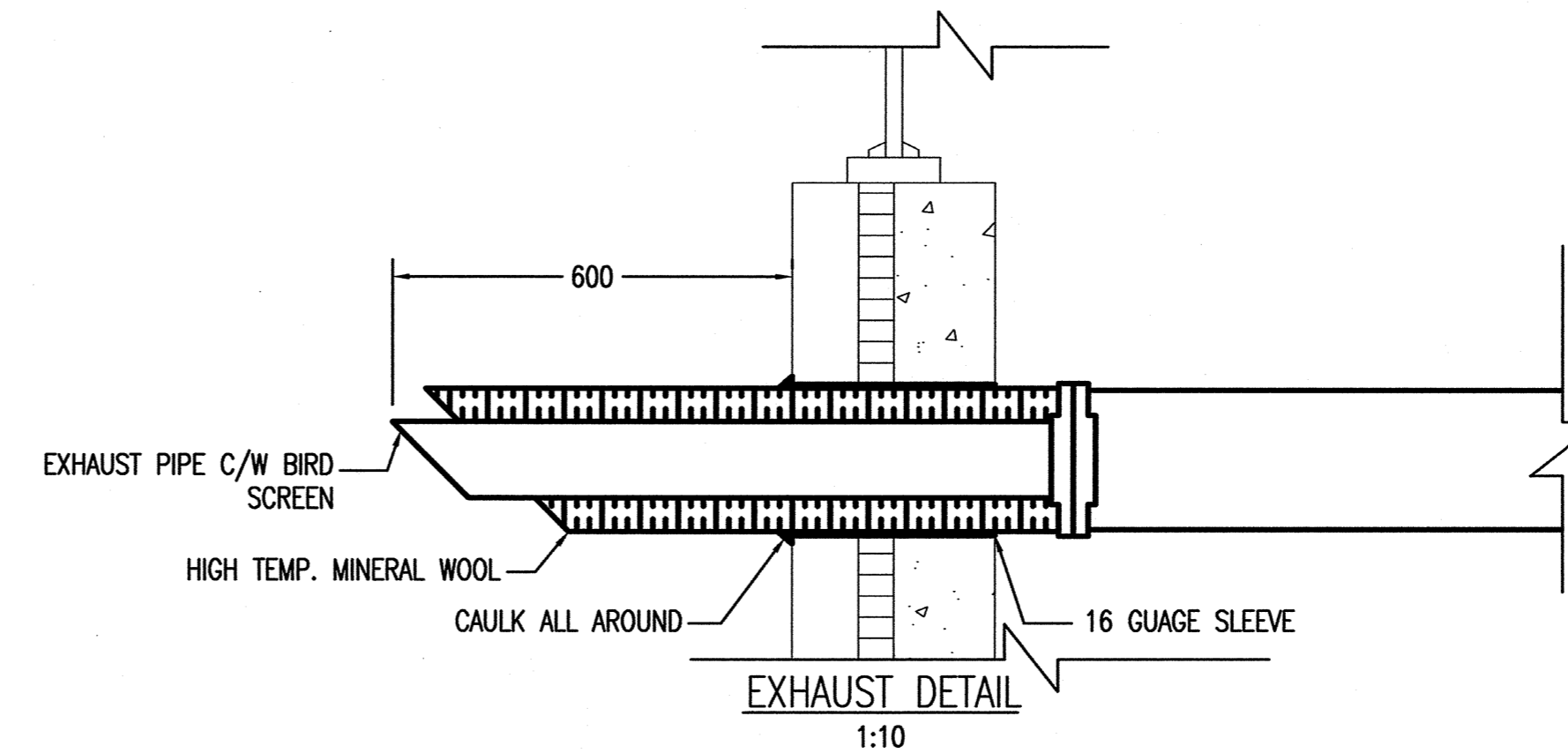
1. EXHAUST SILENCER AND FLEX ARE TO BE SUPPLIED SEPARATELY BY GENERATOR SET MANUFACTURER.

SPECIFIC NOTES:

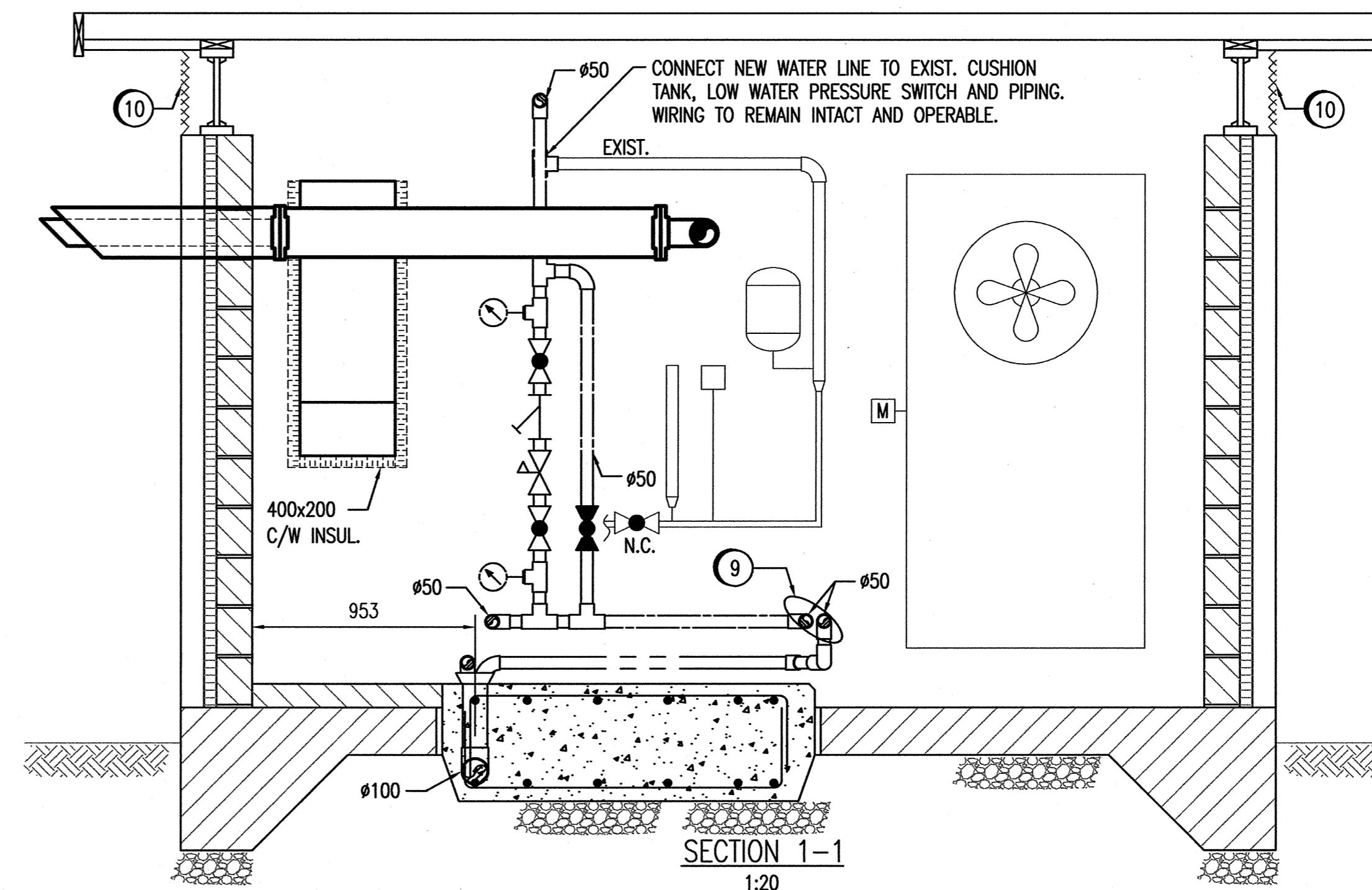
- 1 GAS METER TO BE RELOCATED OUTSIDE OF BUILDING BY OTHERS. CONTRACTOR TO CONFIRM LOCATION WITH CITY OF WINNIPEG AND GAS COMPANY.
- 2 NEW 65mm GAS LINE TO ENTER BUILDING THROUGH EXISTING HOLE IN WALL. PATCH TO MATCH EXISTING WALL. TWO NEW 65mm AUTOMATIC GAS SHUT OFF VALVES TO BE INSTALLED AT CEILING HEIGHT.
- 3 NEW 125mm EXHAUST PIPING TO EXIT BUILDING THROUGH EXISTING HOLE IN WALL. ENLARGE HOLE AS REQUIRED. PATCH TO MATCH EXISTING WALL.
- 4 NEW JOHNSON CONTROLS T26 120V LINE VOLTAGE THERMOSTAT. SET POINT TO BE 30°C TO TURN ON FAN.
- 5 NEW 100mm FLOOR DRAIN C/W CUP. CONNECT NEW 100mm DRAIN PIPE TO EXISTING SANITARY LINE. PROVIDE 25mm THICK INSULATION 150mm LENGTH EACH SIDE OF GENSET FOUNDATION SLAB EDGE.
- 6 CONNECT NEW 50mm WATER PIPING TO GENERATOR AFTERCOOLER. PIPE RETURN WATER TO NEW FLOOR DRAIN. PROVIDE VIBRATION ISOLATION (FLEX CONNECTORS) AS REQUIRED.
- 7 NEW 400x200 COMBUSTION AIR INTAKE DUCT C/W BIRD SCREEN.
- 8 ENTRY LOCATION OF COMBUSTION AIR INTAKE DUCT TO BE DETERMINED BY THE DEMOLITION OF ONE CONCRETE BLOCK.
- 9 CONNECT NEW 50mm WATER PIPING TO GENERATOR HEAT EXCHANGER. PIPE RETURN WATER TO NEW FLOOR DRAIN.
- 10 REPLACE EXISTING WINDOW COVERING WITH ALUMINIUM EXPANDED METAL MESH AND FRAMES MATCHED TO ADJACENT LIBRARY.
- 11 DAMPER ACTUATOR C/W SPRING RETURN FAIL SAFE, BELIMO MODEL AF120-S.
- 12 CH4 STAND-ALONE MONITOR C/W REMOTE CONFIGURATION. VULCAIN MODEL VA201M01CH4-RS.
- 13 VULCAIN REMOTE SENSOR. INSTALL AS PER MANUFACTURER'S RECOMMENDATIONS.

LEGEND

- ◻ NORMALLY OPEN GLOBE VALVE
- ◻ NORMALLY CLOSED GLOBE VALVE
- ◻ CONTROL VALVE
- ◻ PRESSURE REDUCING VALVE
- ⊙ GAUGE
- ⌈ STRAINER
- ⌋ CHECK VALVE
- ⊙ THERMOSTAT
- ▽ REDUCER
- CONTROL LINE



EXHAUST DETAIL
1:10



SECTION 1-1
1:20

B.M. ELEV.	FIELD BOOK #:		SNC-LAVALIN INC. 148 Victoria Park Way Winnipeg, MB, Canada R3P 0X7 204-788-8080	ENGINEER'S SEAL
POSTED TO LBIS				
DESIGNED BY S. NORSWORTHY	CHECKED BY		WINNIPEG MEMBER 20725 MEMBER OF THE ASSOCIATION OF PROFESSIONAL ENGINEERS	THE CITY OF WINNIPEG WATER AND WASTE DEPARTMENT WINDSOR PARK WASTEWATER PUMPING STATION GENERATOR UPGRADE PLAN & SECTIONS MECHANICAL LAYOUT MODIFICATIONS
DRAWN BY C. FETTERLY	APPROVED BY			
HOR. SCALE 1:20	RELEASED FOR CONSTRUCTION	DATE 07/07/12	DATE	CITY DRAWING NUMBER
VERTICAL SCALE 1:20				06051
00 ISSUED FOR CONSTRUCTION	08/01/18	AEO	DATE	SHEET
NO. REVISIONS	DATE	BY	FILENAME: 113049-45DD-0000-0002.dwg	001
				REV.
				00
				SIZE
				D