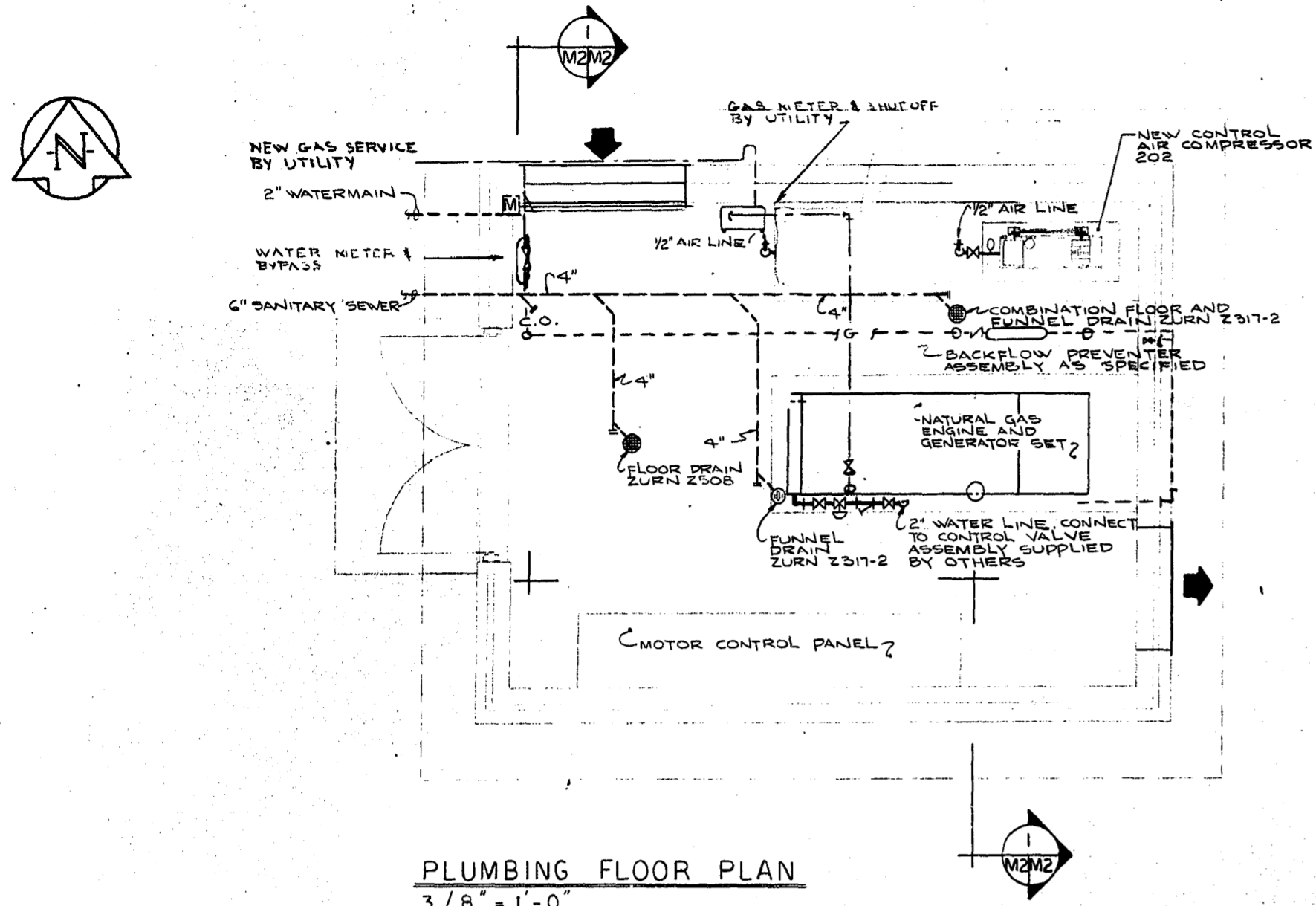
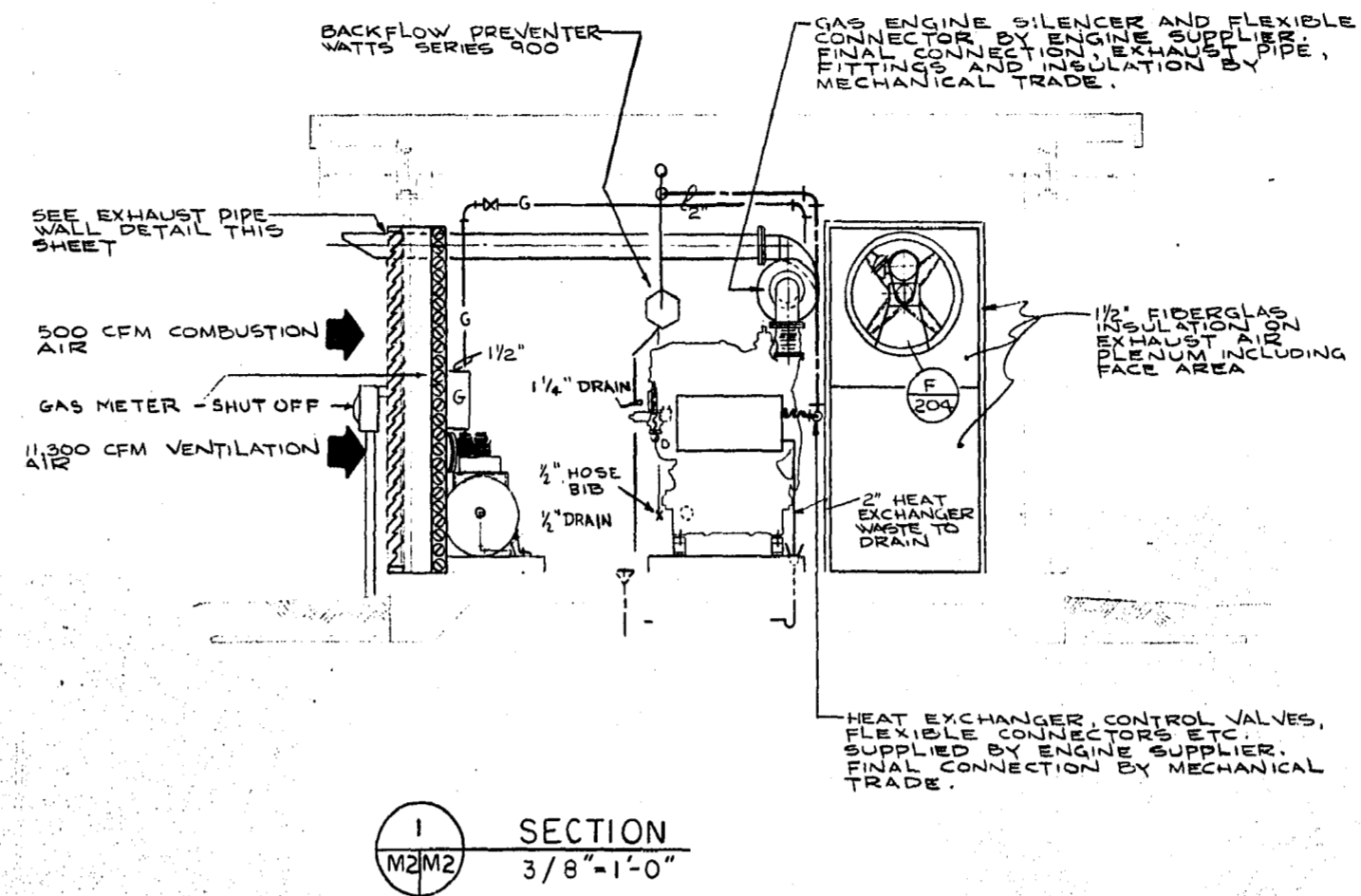


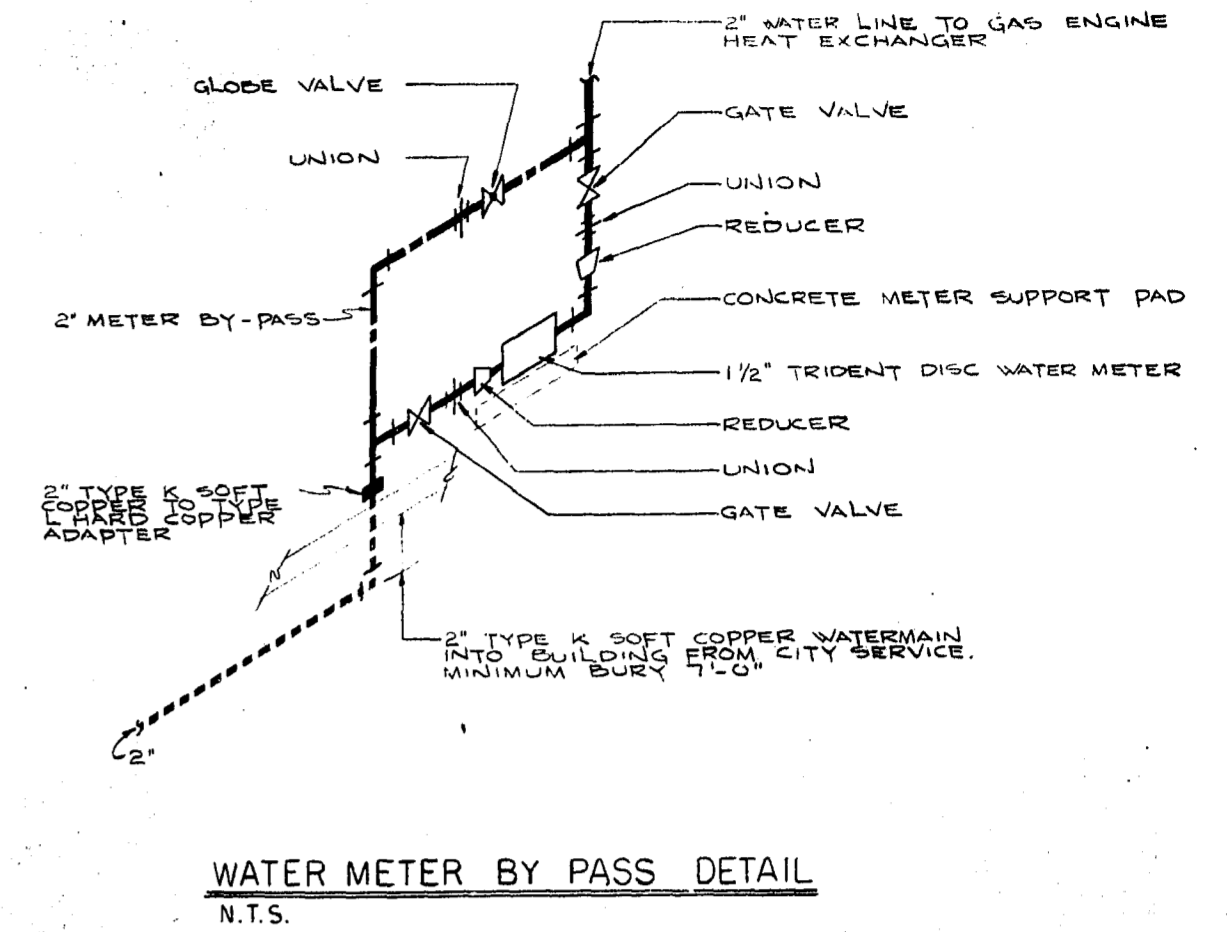
REFER TO DRAWING E-6 FOR AIR PIPE REQUIREMENTS AND ROUTING.



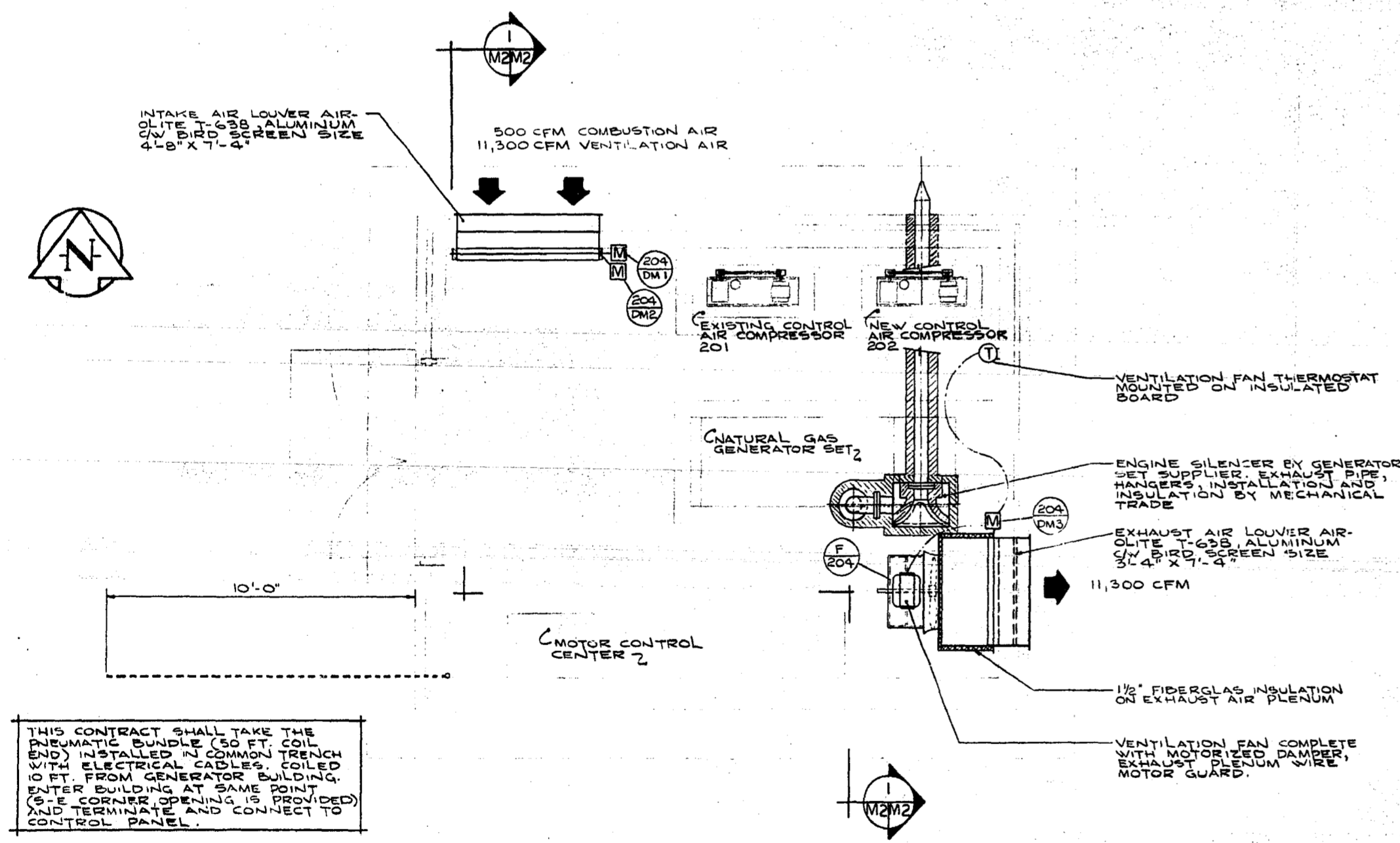
PLUMBING FLOOR PLAN  
3/8" = 1'-0"



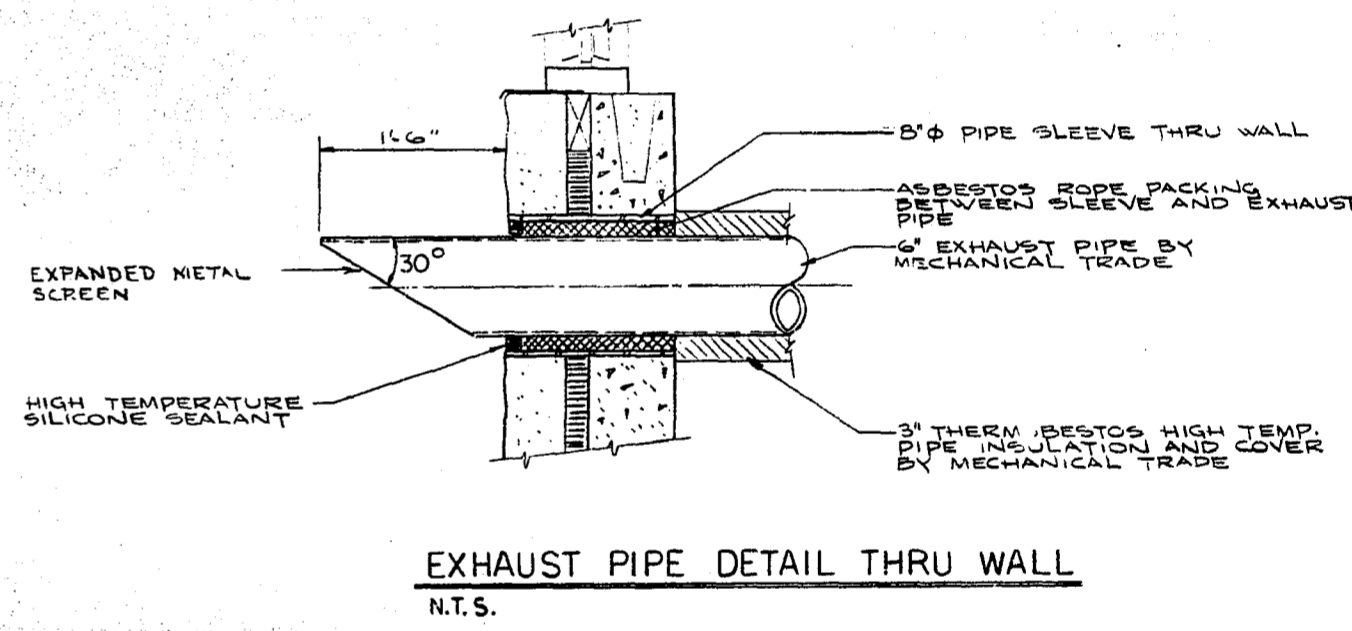
SECTION  
3/8" = 1'-0"



WATER METER BY PASS DETAIL  
N.T.S.

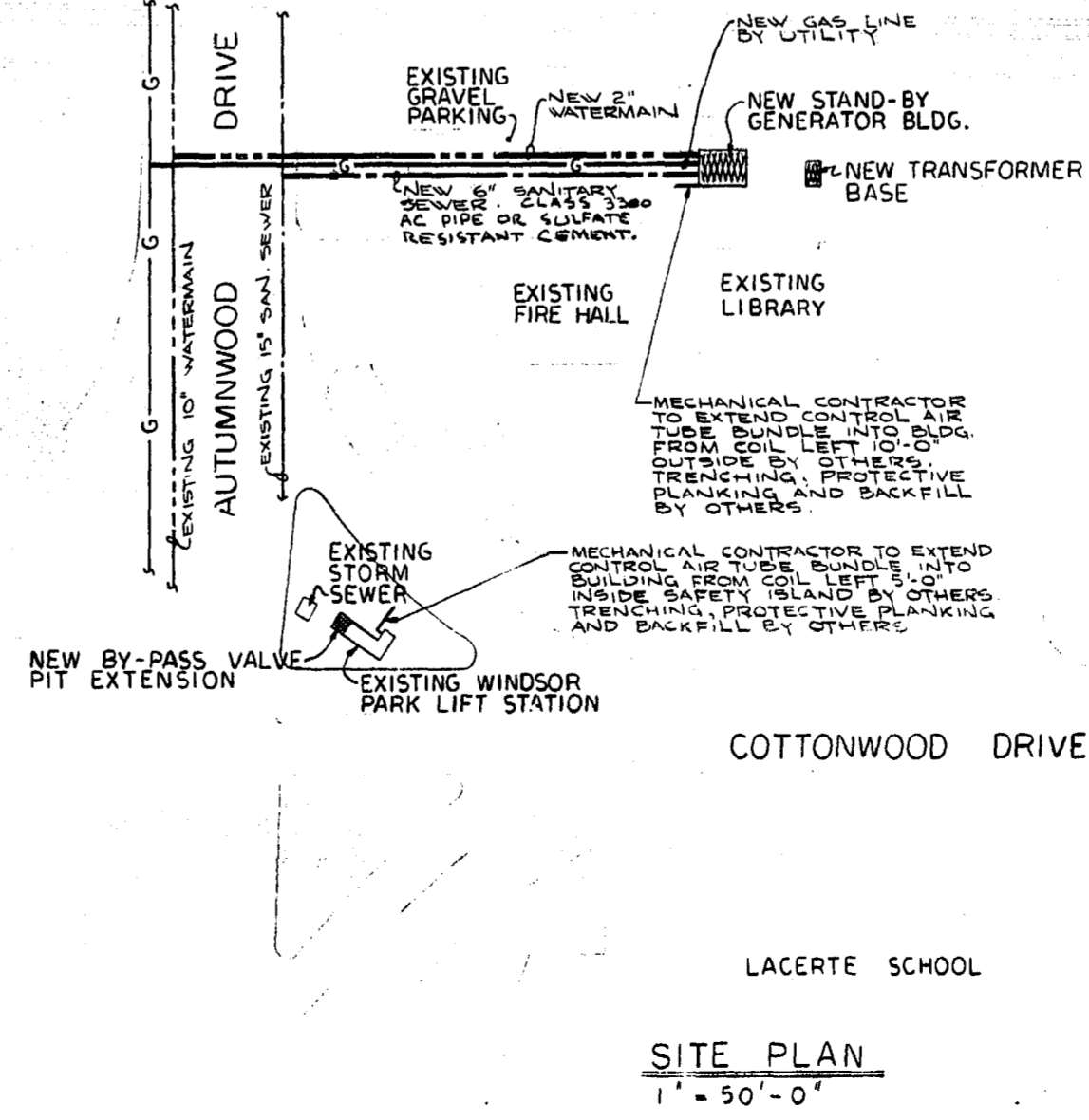


VENTILATION FLOOR PLAN  
3/8" = 1'-0"



EXHAUST PIPE DETAIL THRU WALL  
N.T.S.

THIS CONTRACT SHALL TAKE THE PNEUMATIC BUNDLE (50 FT. COIL END) INSTALLED IN COMMON TRENCH WITH ELECTRICAL CABLES, COILED 10 FT. FROM GENERATOR BUILDING. ENTER BUILDING AT SAME POINT (S-E CORNER OPENING IS PROVIDED) AND TERMINATE AND CONNECT TO CONTROL PANEL.



SITE PLAN  
1" = 50'-0"

GENERAL REVISIONS		JAN 86	MD
NO	DESCRIPTION	DATE	BY
1	AS BUILT		

CITY OF WINNIPEG  
WORKS AND OPERATIONS DIVISION  
DISTRICT 5

W. L. WARDROP & ASSOCIATES LTD.  
ENGINEERING CONSULTANTS  
WINNIPEG • THUNDER BAY • REGINA • BARRIE • EDMONTON

WINDSOR PARK LIFT STATION  
STAND-BY GENERATOR BUILDING  
PLUMBING AND VENTILATION  
FLOOR PLANS

DESIGNED BY:	V. J. HEWITT	CHECKED BY:	
APPROVED BY:	<i>[Signature]</i>	DATE:	JAN. 1976
SCALE:	AS SHOWN	DRAWING NO.:	76012-04-M2
DATE:	FB NO. PAGE	REV	0

Pa/76