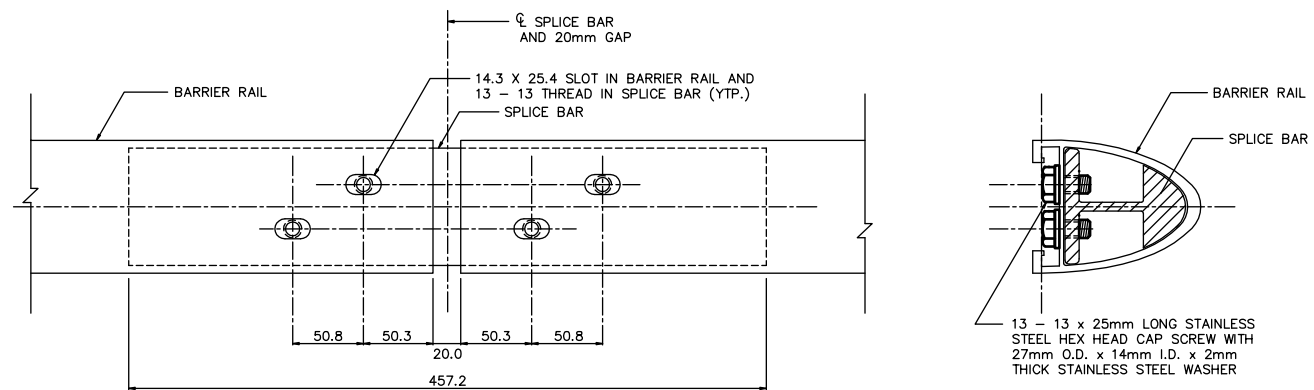
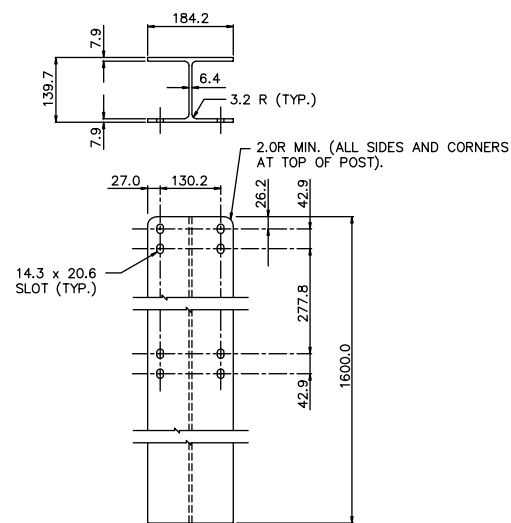
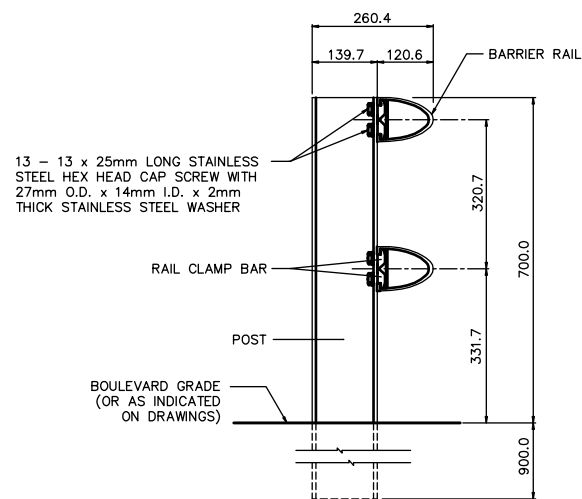
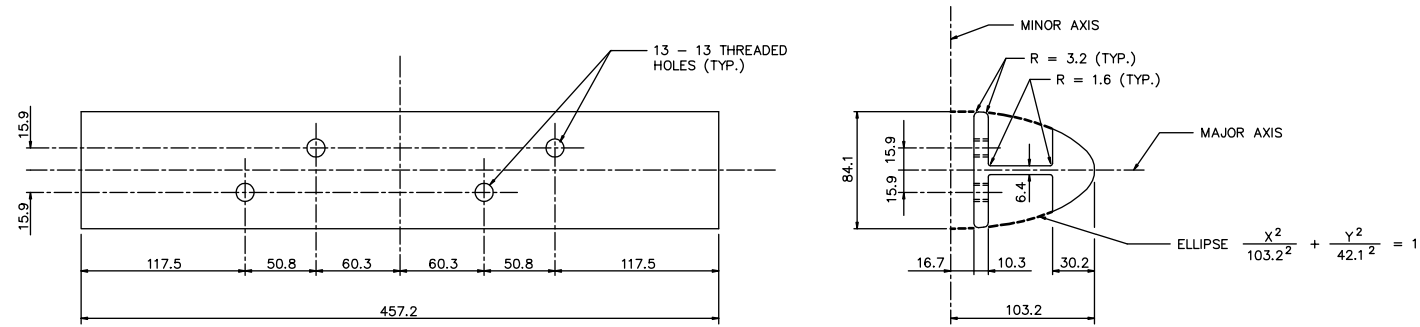
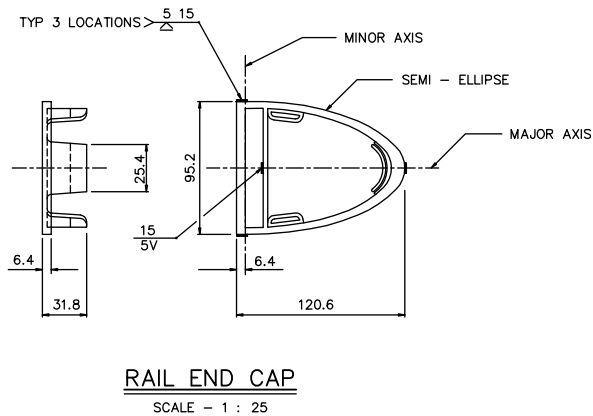
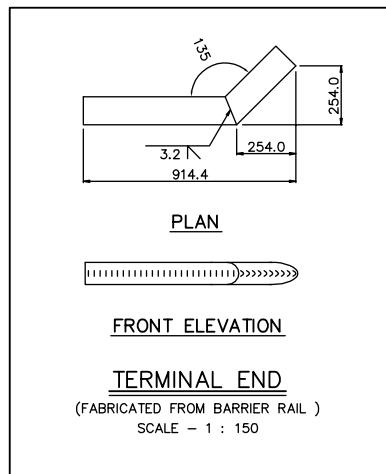
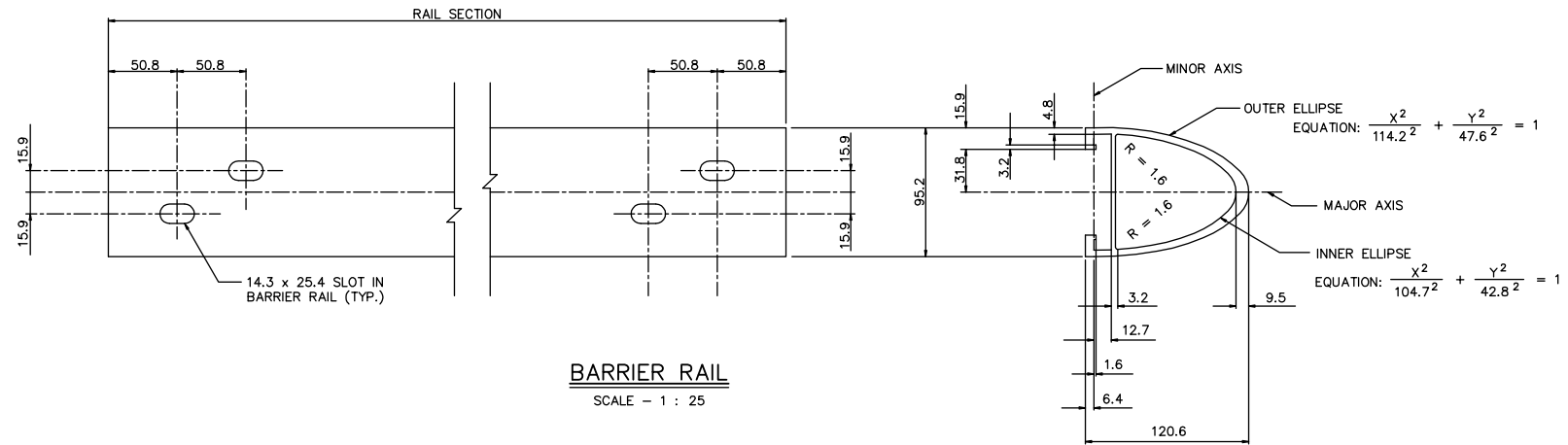


RAIL CLAMP BAR
SCALE - 1 : 25



MATERIAL SPECIFICATION

1. ALUMINUM RAILS, POSTS, SPLICE BARS, AND RAIL END CAPS SHALL CONFORM TO ASTM B221, ALLOY 6061 - T6, OR ALLOY 6351 - T6.
2. STAINLESS STEEL WASHERS SHALL CONFORM TO ASTM A296, TYPE 316.
3. CAP SCREWS SHALL CONFORM TO ASTM A276, TYPE 316 STAINLESS STEEL.
4. ANTI-SEIZE COATING TO BE APPLIED TO ALL THREADED COMPONENTS WHEN BEING ASSEMBLED, i.e. LPS-3-MANUFACTURED BY HOLT LLOYD (CANADA) LTD., MARKHAM, ONTARIO L3R 2Z3
5. TWO COATS, EACH 1mm IN THICKNESS OF ALKALI-RESISTANT BITUMINOUS PAINT SHALL BE APPLIED ON THE SURFACES OF POSTS AND RAILS THAT ARE TO BE IN CONTACT WITH THE GROUND.

NOT APPLICABLE

METRIC
ALL DIMENSIONS SHOWN ARE IN MILLIMETRES

B.M. ELEV.	DESIGNED BY	N/A	ENGINEER'S SEAL	THE CITY OF WINNIPEG PUBLIC WORKS DEPARTMENT	2008 BRIDGE MAINTENANCE ARCHIBALD STREET BOX CULVERT AT DUGALD DRAIN	CITY DRAWING NUMBER	C312-08-07
	DRAWN BY	NBG				SHEET	7 OF 7
	CHECKED BY	JSB	DILLON CONSULTING	N/A	BALANCED SHOULDER BARRIER STANDARD DETAILS	BID OPPORTUNITY	674-2008
	APPROVED BY					CONSULTANT PROJECT NO.	089072
2	ISSUED FOR TENDER	28/08/08	HOR. SCALE	AS NOTED	RELEASED FOR CONSTRUCTION	DATE	AUG. 28, 2008
1	ISSUED FOR CITY REVIEW	20/08/08	VERTICAL	AS NOTED	ORIGINAL SIGNED BY B.A. NEIRINCK	DATE	AUG. 28, 2008
NO.	REVISIONS	DATE	BY	DATE	AUG. 2008		

ADDITION ACAD FILE: G:\CAD\989072\Contract\Current\7-STAN_BAL_BARRIER.dwg 6/18/2008