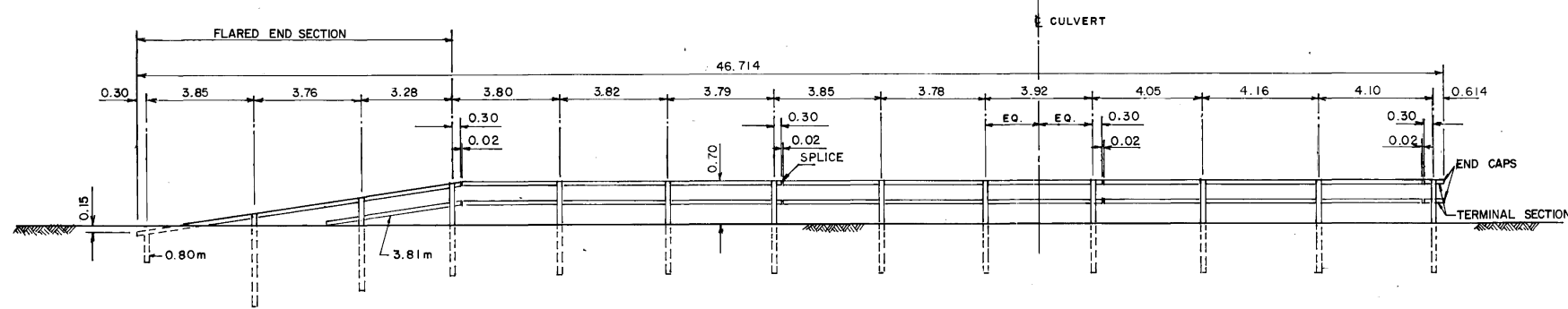
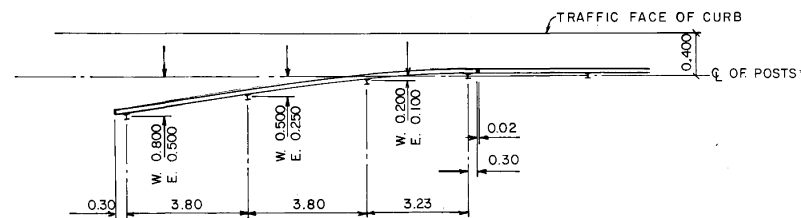


TRAFFIC RAIL - WEST SIDE - LOOKING WEST



TRAFFIC RAIL EAST SIDE - LOOKING WEST



PLAN OF TYPICAL FLARED END SECTION

BILL OF MATERIALS

NO.	LENGTH	DESCRIPTION
23	1.60m	POSTS
2	0.80m	POSTS
4		TERMINAL SECTIONS
12	11.43m	RAIL SECTIONS
2	7.63m	RAIL SECTIONS
2	3.81m	RAIL SECTIONS
16		SPLICE BARS
4		END CAPS
256		CAP SCREWS & S.S. WASHERS
96		RAIL CLAMP BARS
TO BE SUPPLIED BY THE CITY		

NOTES:

1. ALL POSTS ARE 1.60m UNLESS NOTED.
2. ALL RAIL SECTIONS ARE 11.43m UNLESS NOTED.
3. HEIGHT OF TOP OF RAIL IS MEASURED FROM EXISTING GRADE AT FACE OF RAIL.

FOR REFERENCE ONLY

REVISED AS CONSTRUCTED
DATE JAN /82 BY H.J.C.
CHECKED BY R.F.

cc: 5/80 to B...
B-5374



NO.	REVISIONS	DATE	APP.
1	REVISED AS CONSTRUCTED	JAN /82	R.F.



W. L. WARDROP & ASSOCIATES LTD
ENGINEERING CONSULTANTS

DESIGNED BY: _____ DRAWN BY: *W.L.*

CHECKED BY: *R.F.* DATE: 80-05-15

APPROVED BY: *R.R. Foster 30 Sep 82* DATE: _____



RUE ARCHIBALD CULVERT IN DUGALD DRAIN.

BALANCED SHOULDER BARRIER LAYOUT DETAILS

AUTHORIZED BY: *R.F.* DATE: 80-10-03

ACCEPTED BY: *H.J.C.* DATE: 8-11-03

SCALE: 1:100 U/NOTED DRAWING NO: C 312-80-05