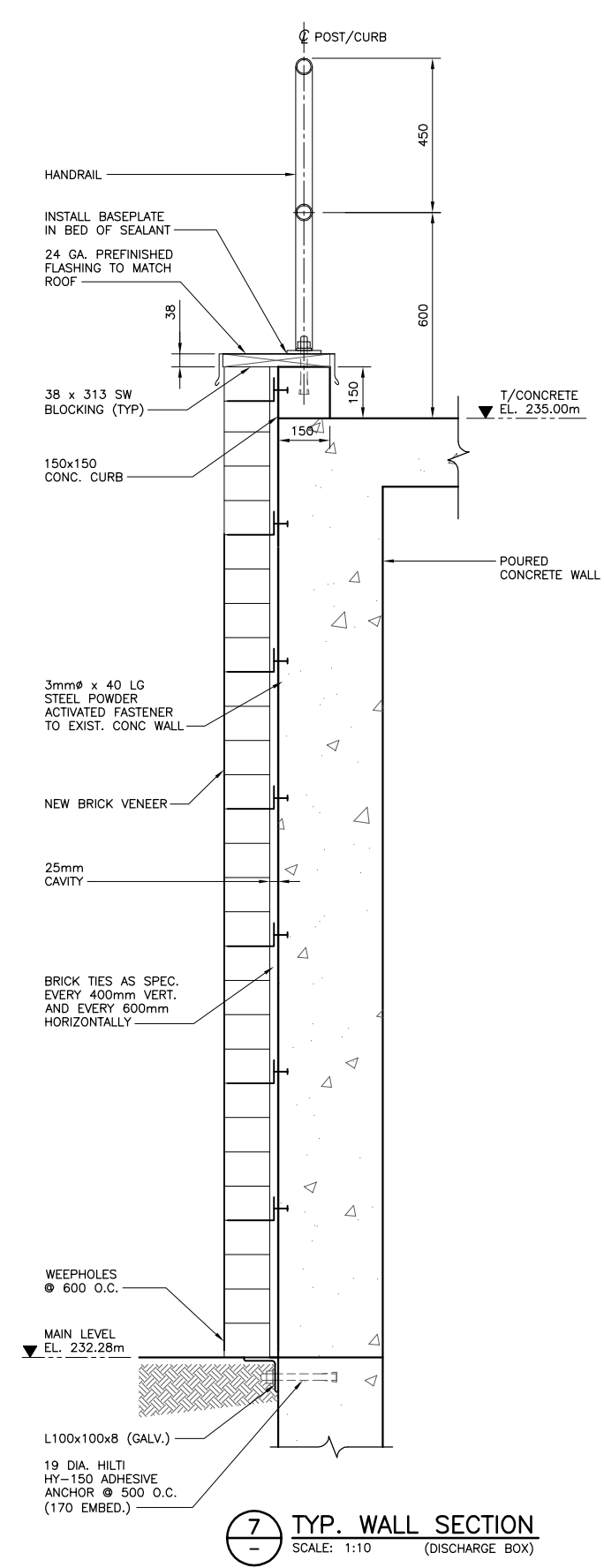
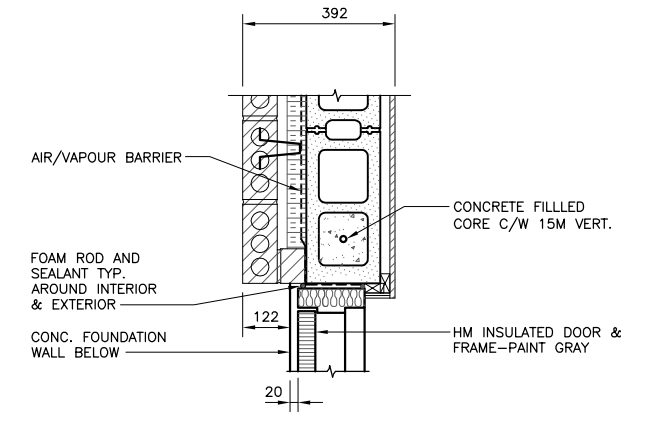


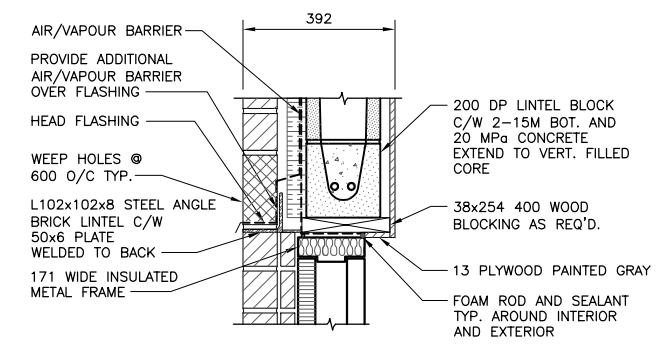
**6 TYPICAL WALL SECTION (MAIN BUILDING)**  
SCALE: 1:10



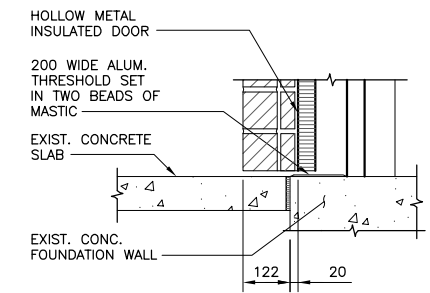
**7 TYP. WALL SECTION (DISCHARGE BOX)**  
SCALE: 1:10



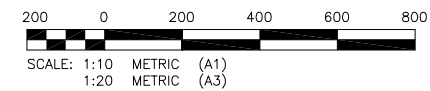
**DOOR JAMB DETAIL**  
SCALE: 1:10



**DOOR LINTEL DETAIL**  
SCALE: 1:10



**DOOR SILL DETAIL**  
SCALE: 1:10



METRIC  
WHOLE NUMBERS INDICATE MILLIMETRES  
DECIMALIZED NUMBERS INDICATE METRES

SEE DWG. LD-5079 FOR GENERAL NOTES.

**APEGM**  
Certificate of Authorization  
KGS Group  
No. 245 Date: 2008-09-23

B.M. XX-XXX ELEV. XXX.XXX	<b>KGS GROUP</b> CONSULTING ENGINEERS & PROJECT MANAGERS WINNIPEG (204) 896-1209 THUNDER BAY (807) 345-2233		ENGINEER'S SEAL ORIGINAL DRAWING SIGNED BY: C.M. SIEPMAN 08/09/23 YY/MM/DD
DESIGNED BY: CMS	CHECKED BY: CMS	APPROVED BY:	CONSULTANT DRAWING NO. 08-0107-03-S5
DRAWN BY: FV	RELEASER FOR CONSTRUCTION:	DATE: 08/02/28	
ISSUED FOR CONSTRUCTION 08/09/23 CMS	REVISIONS	DATE	

**THE CITY OF WINNIPEG**  
WATER & WASTE DEPARTMENT

**Winnipeg**

**RAVELSTON LAND DRAINAGE PUMPING STATION UPGRADE**

**STRUCTURAL WALL SECTIONS AND DETAILS**

SHEET 05 OF 11  
CAD FILE DRAWING NUMBER 08-0107-03-01  
CITY DRAWING NUMBER LD-5080

COWLEND