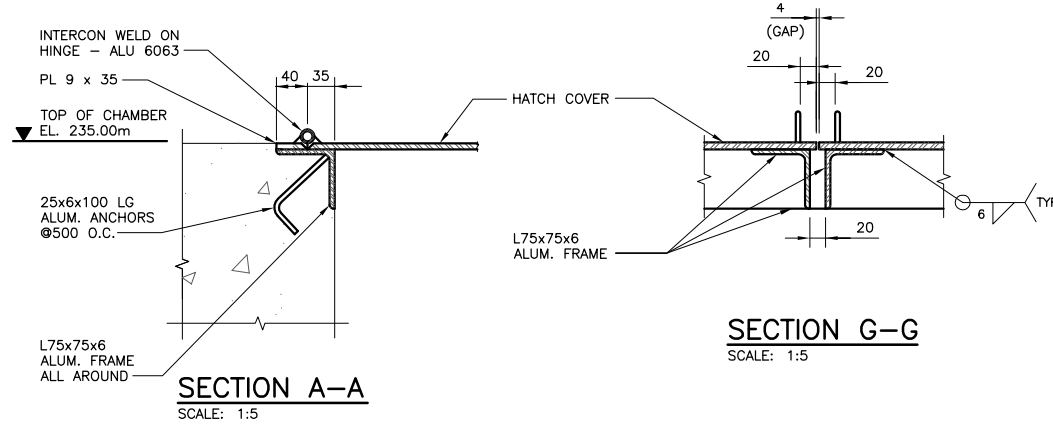
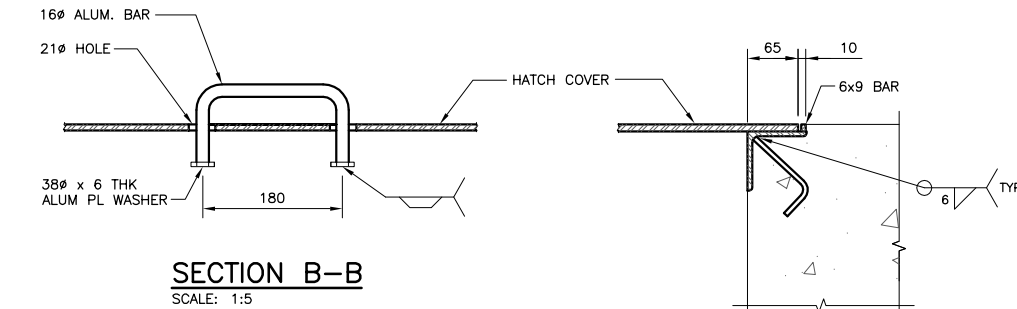


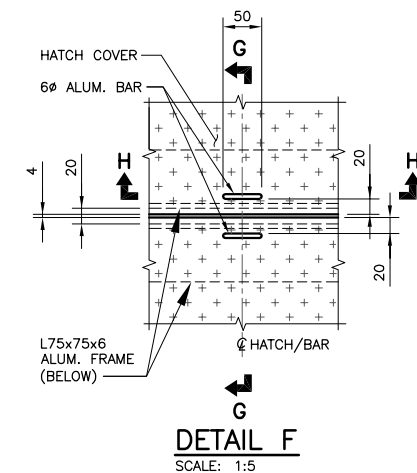
PUMP HATCH DETAIL
SCALE: 1:10
(3 IN TOTAL)



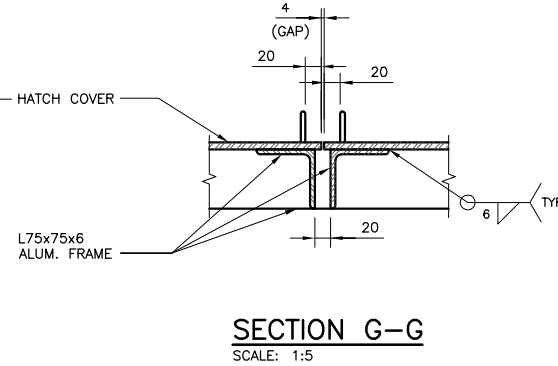
SECTION A-A
SCALE: 1:5



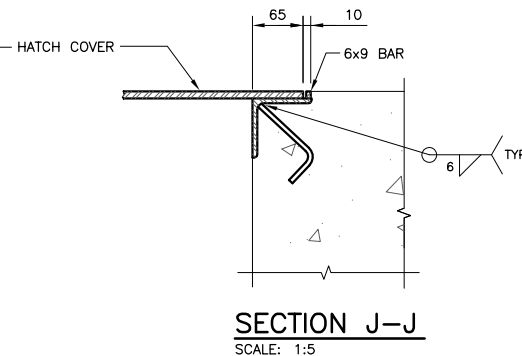
SECTION B-B
SCALE: 1:5



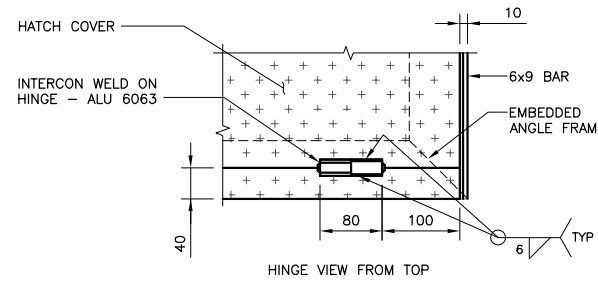
DETAIL F
SCALE: 1:5



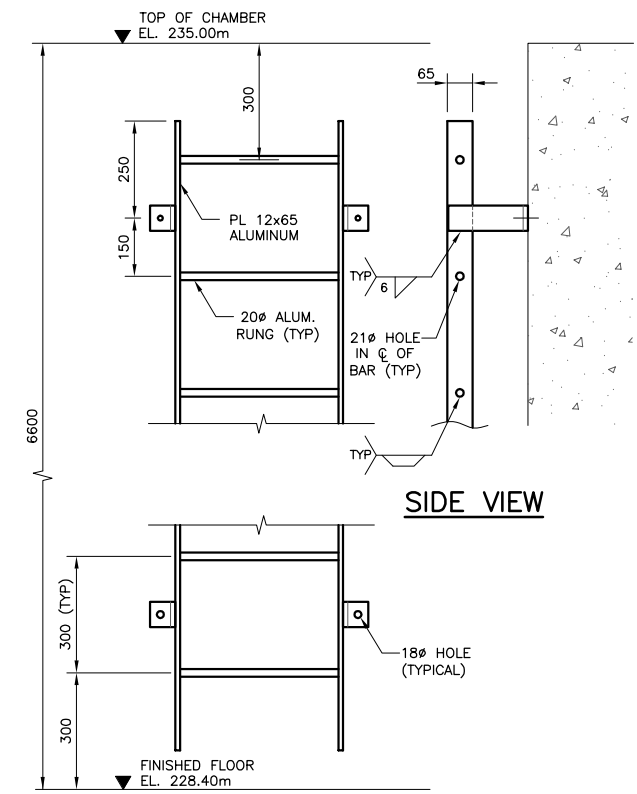
SECTION G-G
SCALE: 1:5



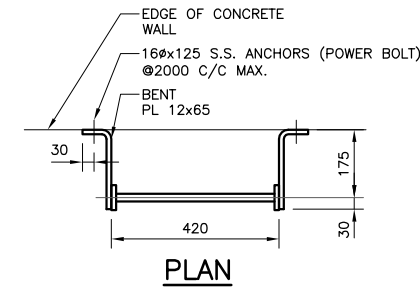
SECTION J-J
SCALE: 1:5



DETAIL E
SCALE: 1:5



ELEVATION

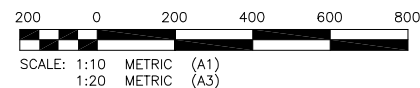


LADDER DETAIL
SCALE: 1:10

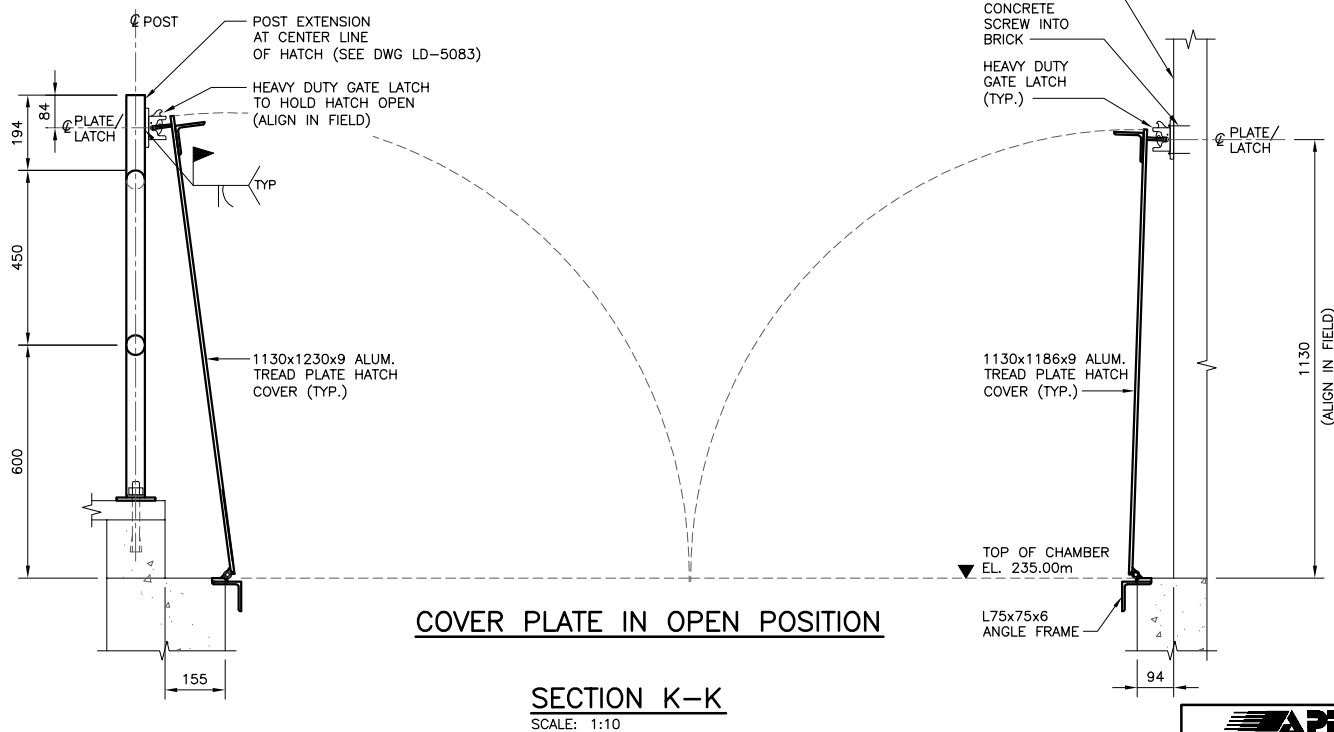
NOTES:

- ALL ALUMINUM CONFORMS TO THE ALUMINUM ASSOCIATION "SPECIFICATIONS FOR ALUMINUM STRUCTURES" - LATEST ADDITION. ALUMINUM FOR PLATES TYPE 6061 - T651 (F_y=240 MPa)
- ALL ALUMINUM IN CONTACT WITH CONCRETE OR CAST INTO CONCRETE HAS BITUMINOUS ISOLATION COATING.
- ALL NUTS, BOLTS AND ANCHORS CONFORM TO ASTM A276 TYPE # 316 STAINLESS STEEL.

SEE DWG. LD-5079 FOR GENERAL NOTES.



METRIC
WHOLE NUMBERS INDICATE MILLIMETRES
DECIMALIZED NUMBERS INDICATE METRES



COVER PLATE IN OPEN POSITION

SECTION K-K
SCALE: 1:10

APEGM
Certificate of Authorization
KGS Group
No. 245 Date: 2008-09-23

B.M. XX-XXX ELEV. XXX.XXX			
DESIGNED BY	CMS	CHECKED BY	CMS
DRAWN BY	FV	APPROVED BY	
SCALE:	AS NOTED	RELEASED FOR CONSTRUCTION:	
ISSUED FOR CONSTRUCTION	08/09/23	DATE	08/02/28
REVISIONS			

KGS GROUP
CONSULTING ENGINEERS & PROJECT MANAGERS
WINNIPEG (204) 896-1209
THUNDER BAY (807) 345-2233

ENGINEER'S SEAL
ORIGINAL DRAWING SIGNED BY:
C.M. SIEPMAN
08/09/23
YY/MM/DD
CONSULTANT DRAWING NO.
08-0107-03-S6

THE CITY OF WINNIPEG
WATER & WASTE DEPARTMENT

RAVELSTON LAND DRAINAGE PUMPING STATION UPGRADE

STRUCTURAL MISC. METAL DETAILS (1 OF 4)

SHEET OF
06 OF **11**
CAD FILE DRAWING NUMBER
08-0107-03-01
CITY DRAWING NUMBER
LD-5081

COWLEND