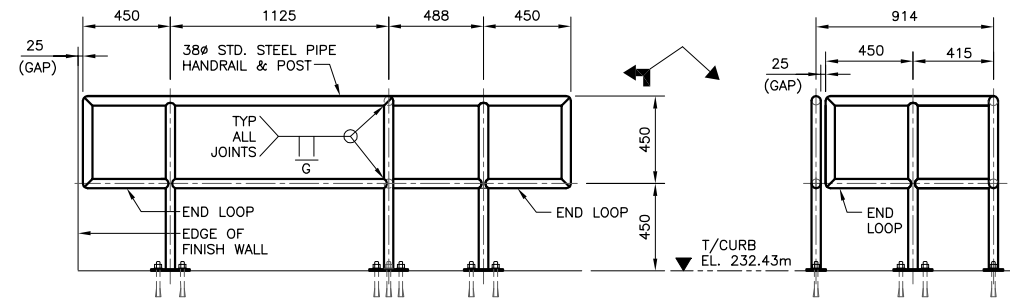
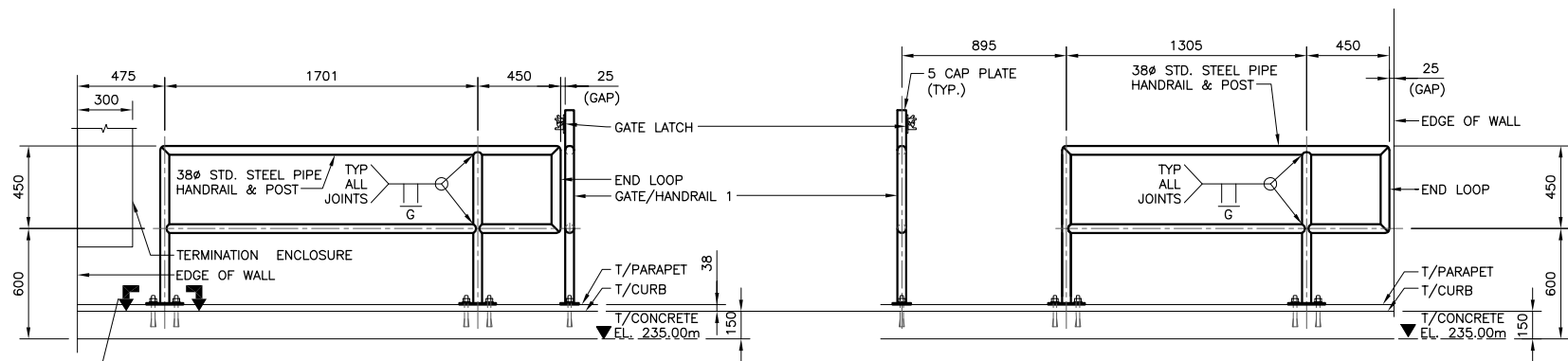


DETAIL - HANDRAIL 1
SCALE: 1:20

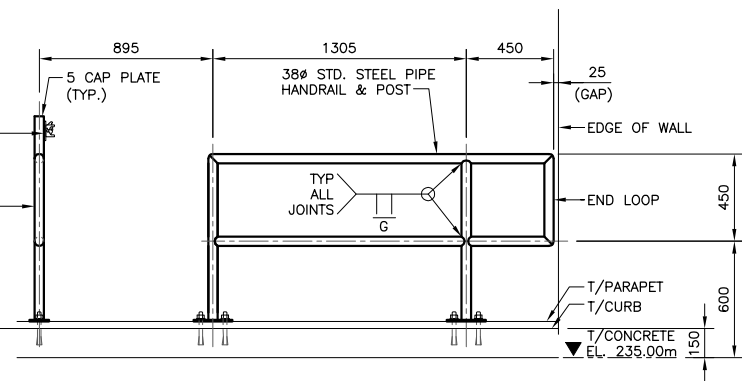
NOTE:
GRIND ALL ROUGH
EDGES & CORNERS
SMOOTH.



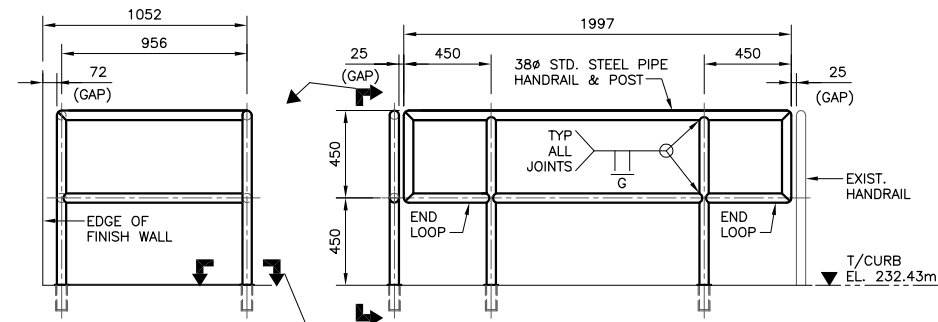
DETAIL - HANDRAIL 4
SCALE: 1:20



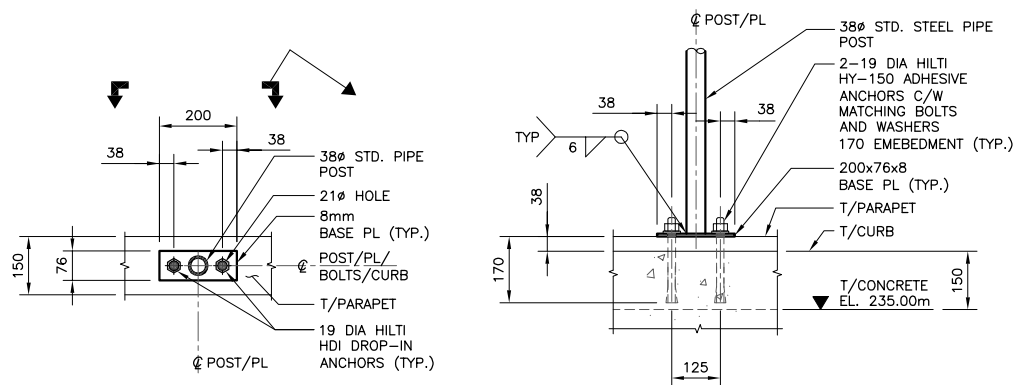
DETAIL - HANDRAIL 2
SCALE: 1:20



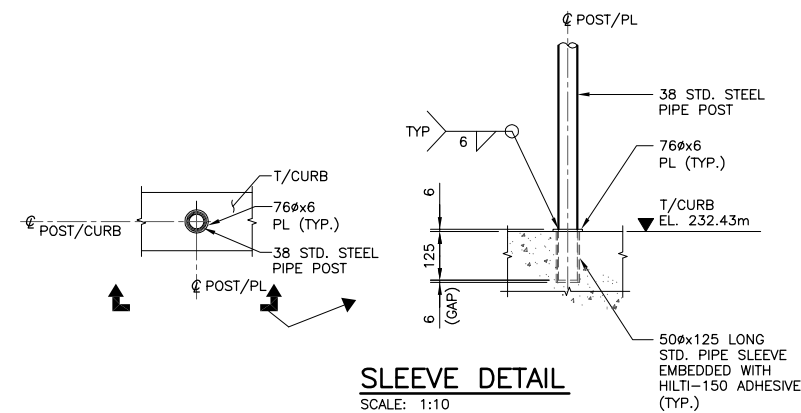
DETAIL - HANDRAIL 3
SCALE: 1:20



DETAIL - REMOVABLE HANDRAIL 5
SCALE: 1:20

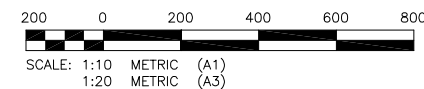


BASEPLATE DETAIL
SCALE: 1:10



SLEEVE DETAIL
SCALE: 1:10

SEE DWG. LD-5079 FOR GENERAL NOTES.



METRIC
WHOLE NUMBERS INDICATE MILLIMETRES
DECIMALIZED NUMBERS INDICATE METRES



B.M. XX-XXX ELEV. XXX.XXX			
DESIGNED BY	CMS	CHECKED BY	CMS
DRAWN BY	FV	APPROVED BY	
SCALE:	AS NOTED	RELEASED FOR CONSTRUCTION:	
ISSUED FOR CONSTRUCTION	08/09/23	DATE	08/02/28
REVISIONS		DATE	

KGS GROUP
CONSULTING ENGINEERS & PROJECT MANAGERS
WINNIPEG (204) 896-1209
THUNDER BAY (807) 345-2233

ENGINEER'S SEAL
ORIGINAL DRAWING SIGNED BY:
C.M. SIEPMAN
08/09/23
YY/MM/DD
CONSULTANT DRAWING NO.
08-0107-03-S8

THE CITY OF WINNIPEG
WATER & WASTE DEPARTMENT

RAVELSTON LAND DRAINAGE PUMPING STATION UPGRADE
STRUCTURAL MISC. METAL DETAILS (3 OF 4)

SHEET 08 OF 11
CAD FILE DRAWING NUMBER 08-0107-03-01
CITY DRAWING NUMBER LD-5083