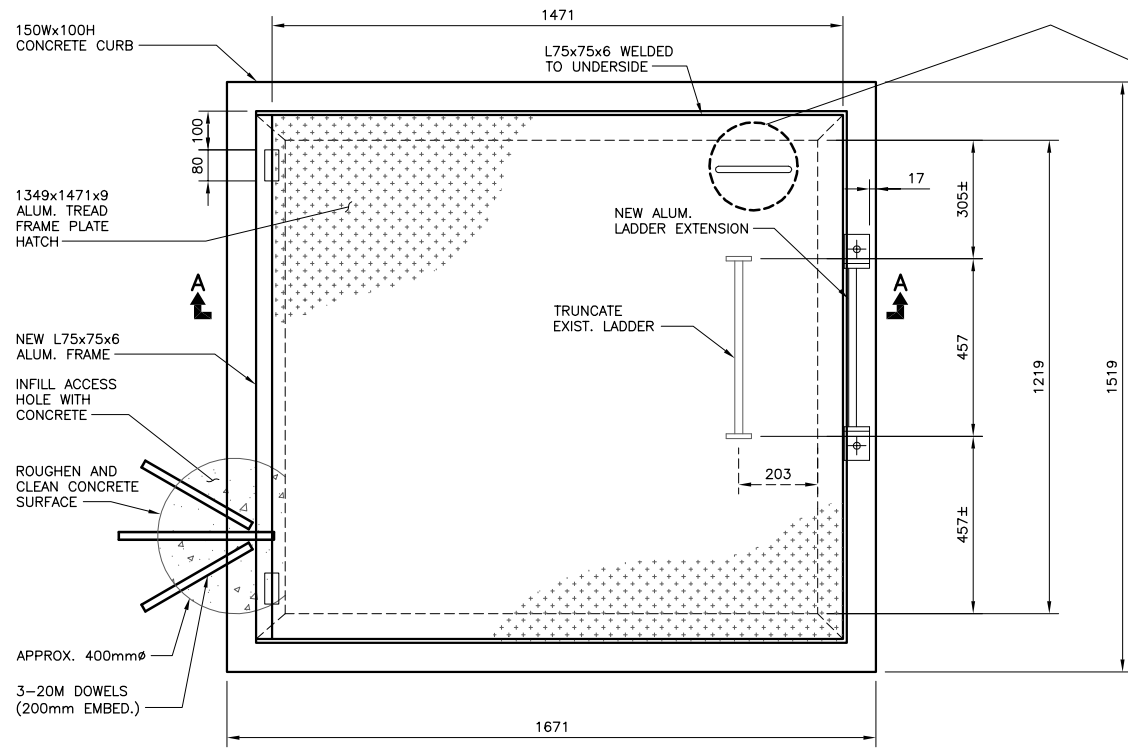


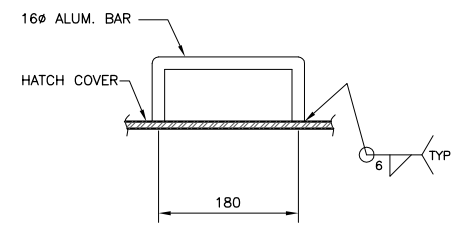
EXISTING WETWELL HATCH

SCALE: 1:10



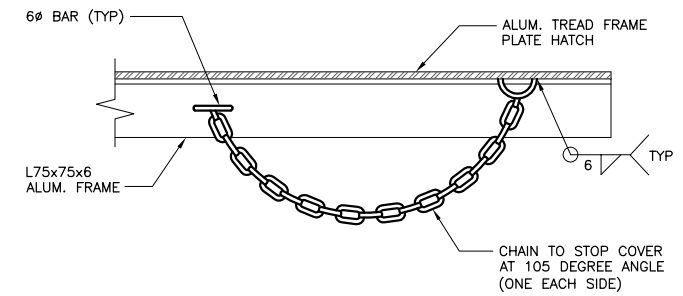
NEW WETWELL HATCH

SCALE: 1:10



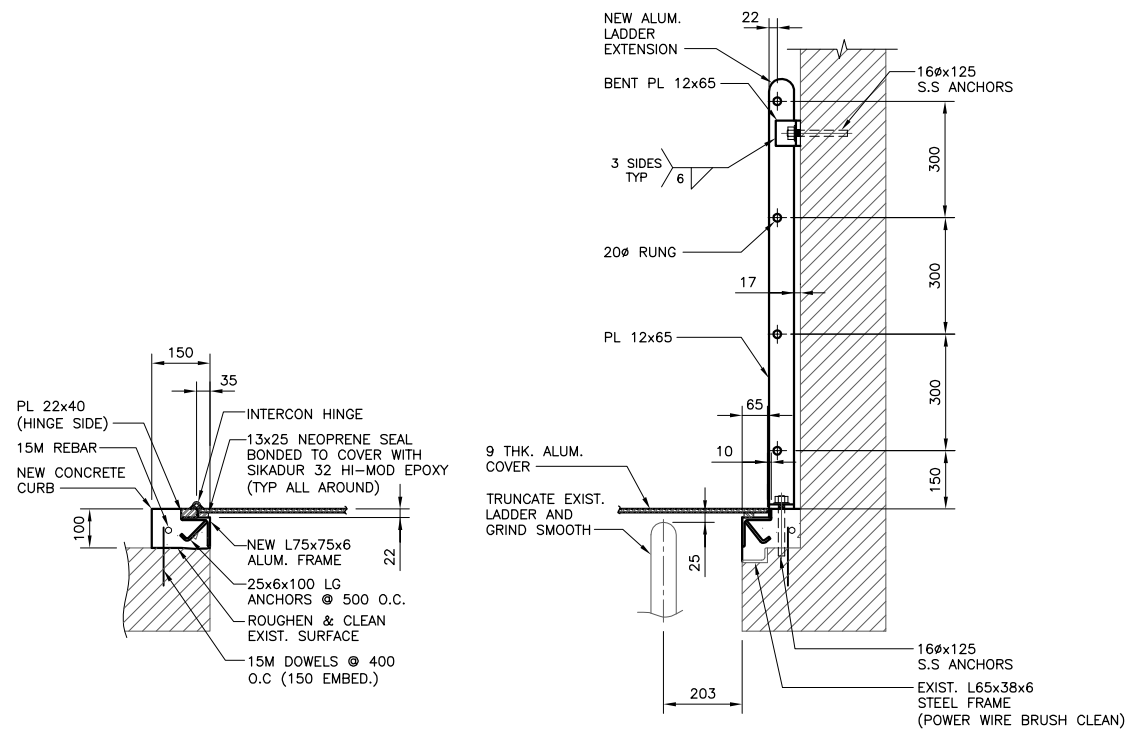
HANDLE DETAIL

SCALE: 1:5



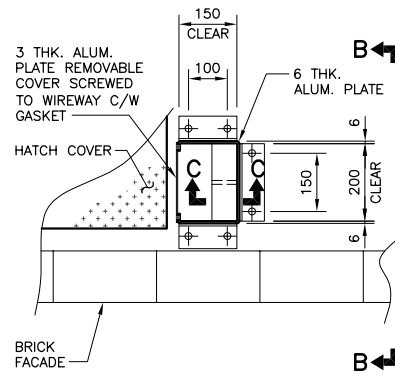
CHAIN STOP DETAIL

SCALE: 1:5



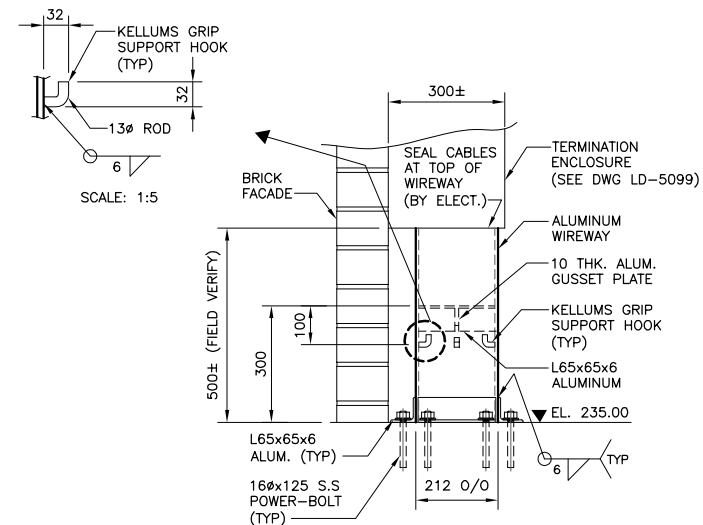
SECTION A-A

SCALE: 1:10



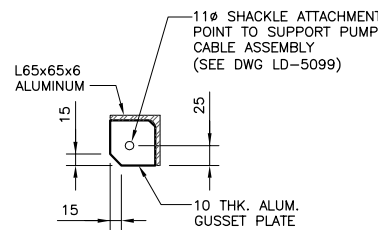
DETAIL WIREWAY

SCALE: 1:10



SECTION B-B

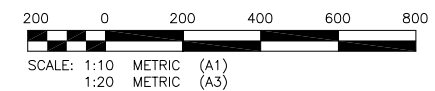
SCALE: 1:10



SECTION C-C

SCALE: 1:5

SEE DWG. LD-5079 FOR GENERAL NOTES.



METRIC
WHOLE NUMBERS INDICATE MILLIMETRES
DECIMALIZED NUMBERS INDICATE METRES

B.M. XX-XXX ELEV. XXX.XXX			
DESIGNED BY CMS	CHECKED BY CMS	ENGINEER'S SEAL	
DRAWN BY FV	APPROVED BY	ORIGINAL DRAWING SIGNED BY: C.M. SIEPMAN	
SCALE: AS NOTED	RELEASED FOR CONSTRUCTION:	08/09/23 YY/MM/DD	
ISSUED FOR CONSTRUCTION 08/09/23 CMS	DATE 08/02/28	CONSULTANT DRAWING NO. 08-0107-03-S9	

KGS GROUP
CONSULTING ENGINEERS & PROJECT MANAGERS
WINNIPEG (204) 896-1209
THUNDER BAY (807) 345-2233

ENGINEER'S SEAL
ORIGINAL DRAWING SIGNED BY:
C.M. SIEPMAN
08/09/23
YY/MM/DD
CONSULTANT DRAWING NO.
08-0107-03-S9

THE CITY OF WINNIPEG
WATER & WASTE DEPARTMENT
Winnipeg

RAVELSTON LAND DRAINAGE PUMPING STATION UPGRADE

STRUCTURAL MISC. METAL DETAILS (4 OF 4)

SHEET OF
09 OF **11**
CAD FILE DRAWING NUMBER
08-0107-03-01
CITY DRAWING NUMBER
LD-5084

APEGM
Certificate of Authorization
KGS Group
No. 245 Date: 2008-09-23

COWLEND