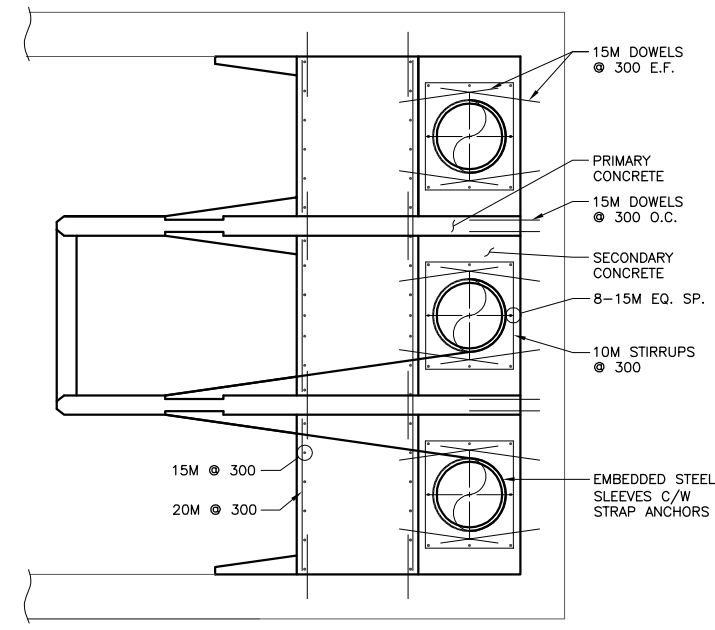
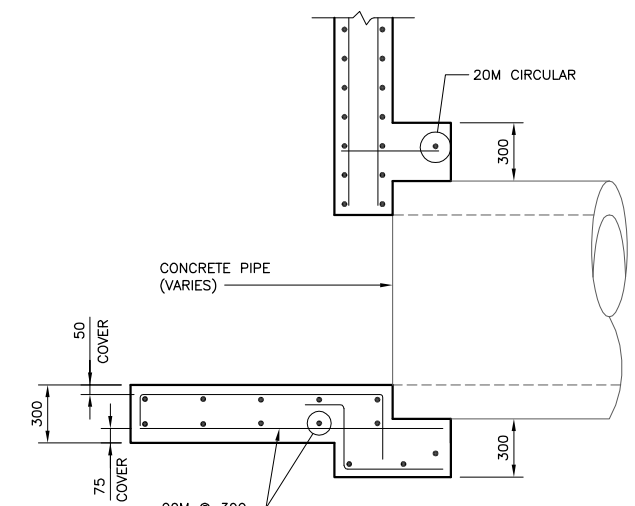


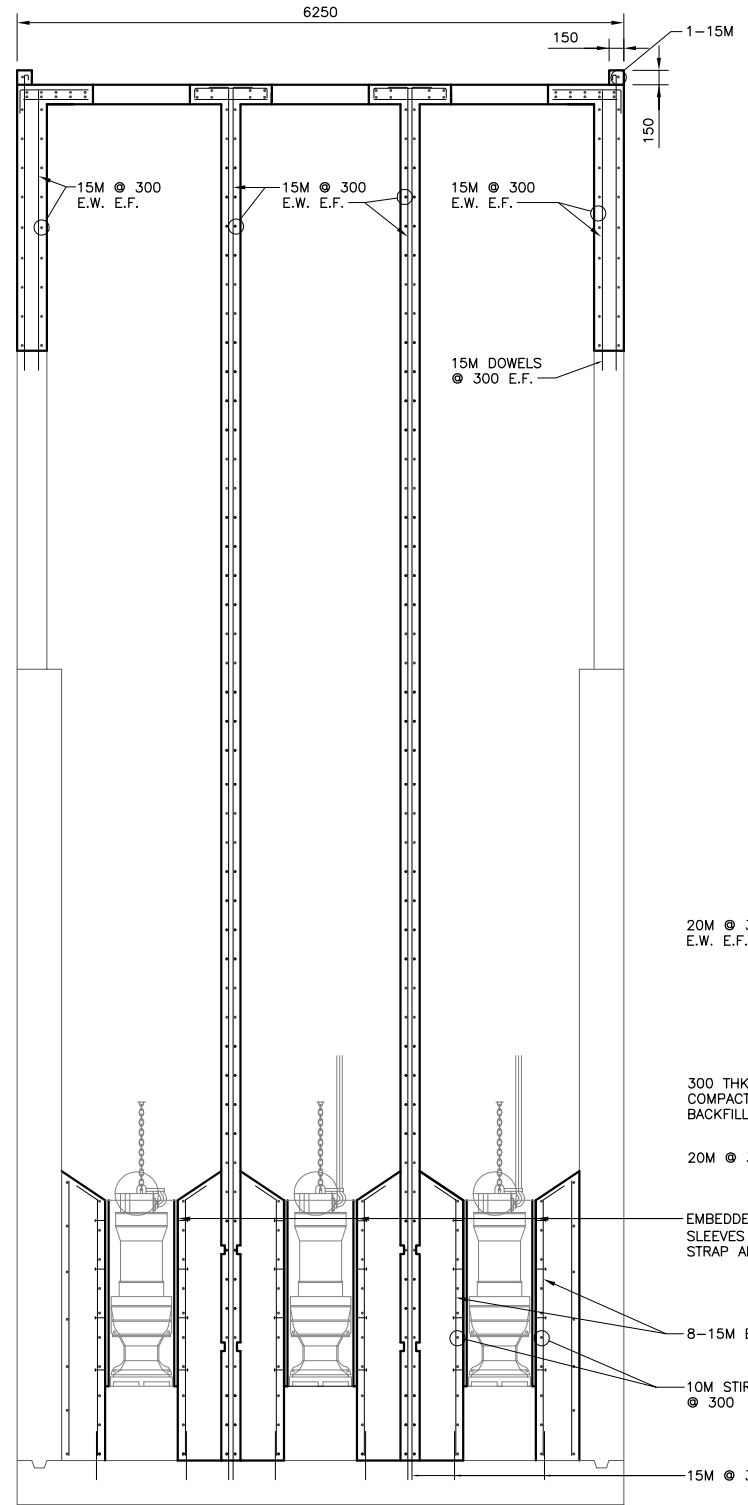
**C SECTION**  
S10 SCALE: 1:40



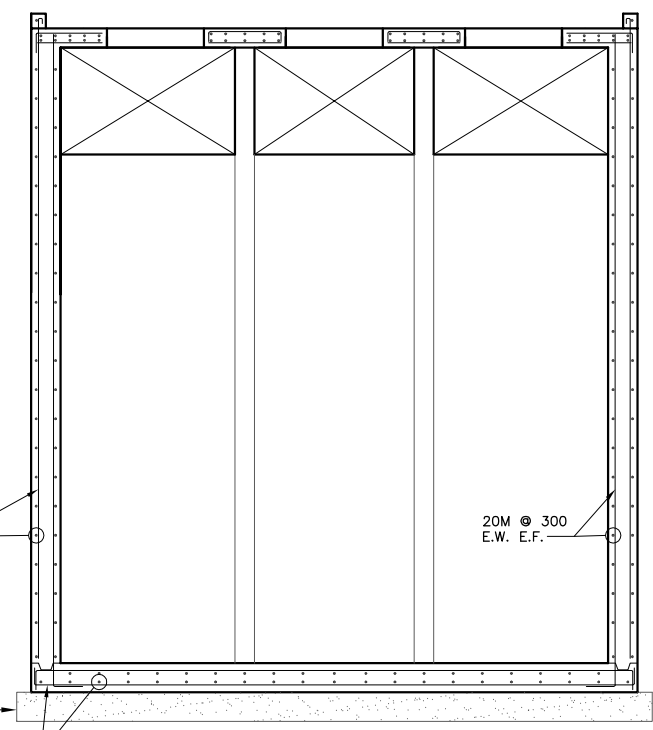
**D SECTION**  
S10 SCALE: 1:40



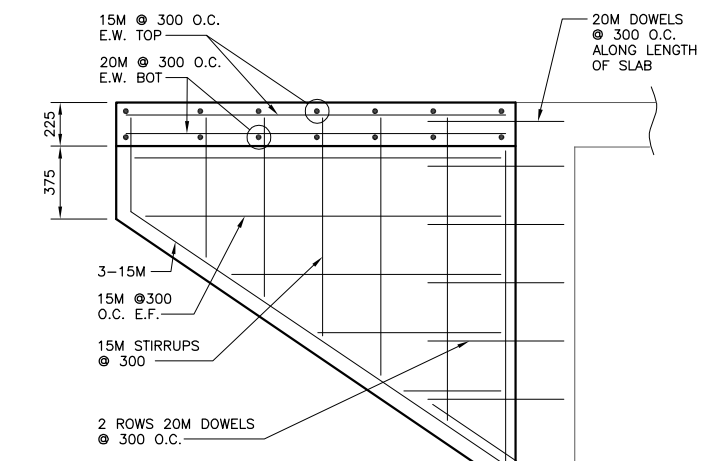
**TYP PIPE CONNECTION DETAIL**  
SCALE: 1:20



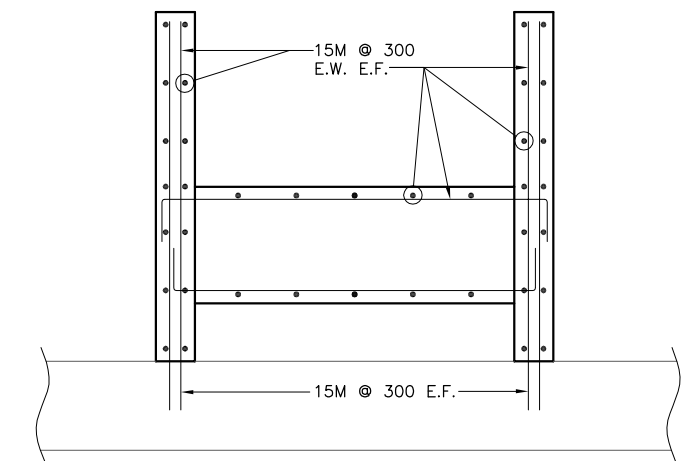
**E SECTION**  
S10 SCALE: 1:40



**F SECTION**  
SCALE: 1:40



**1 DETAIL - CANTILEVERED SUPPORT WALL**  
SCALE: 1:20

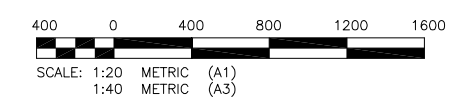


**2 DETAIL - DIVIDER WALL**  
SCALE: 1:20

CLEAR CONCRETE COVER TO BE 40mm U.N.O.

SEE DWG. LD-5079 FOR GENERAL NOTES.

SEE DWG. LD-5085 FOR DOWELING PROCEDURE.



**METRIC**  
WHOLE NUMBERS INDICATE MILLIMETRES  
DECIMALIZED NUMBERS INDICATE METRES

B.M. XX-XXX ELEV. XXX.XXX			
DESIGNED BY CMS	CHECKED BY CMS	ENGINEER'S SEAL	
DRAWN BY FV	APPROVED BY	ORIGINAL DRAWING SIGNED BY: C.M. SIEPMAN 08/09/23 YY/MM/DD	
SCALE: AS NOTED	RELEASED FOR CONSTRUCTION: DATE	CONSULTANT DRAWING NO. 08-0107-03-S11	
0 ISSUED FOR CONSTRUCTION NO. REVISIONS	08/09/23 DATE	CMS BY	
	08/02/28 DATE		

**APEGM**  
Certificate of Authorization  
KGS Group  
No. 245 Date: 2008-09-23

**KGS GROUP**  
CONSULTING ENGINEERS & PROJECT MANAGERS  
WINNIPEG (204) 896-1209  
THUNDER BAY (807) 345-2233

ENGINEER'S SEAL  
ORIGINAL DRAWING  
SIGNED BY:  
C.M. SIEPMAN  
08/09/23  
YY/MM/DD  
CONSULTANT DRAWING NO.  
08-0107-03-S11

**THE CITY OF WINNIPEG**  
WATER & WASTE DEPARTMENT

**RAVELSTON LAND DRAINAGE PUMPING STATION UPGRADE**  
**STRUCTURAL REINFORCING DETAILS (2 OF 2)**

SHEET 11 OF 11  
CAD FILE DRAWING NUMBER 08-0107-03-01  
CITY DRAWING NUMBER LD-5086

COWLEGGEND