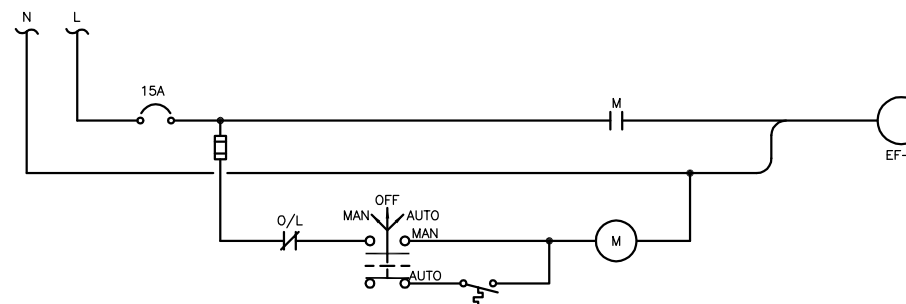


NOTES:
1. -

LUMINAIRE SCHEDULE				
TYPE	DESCRIPTION	VOLTAGE	LAMPS	APPROVED MANUFACTURERS
A	CHAIN SUSPENDED FLUORESCENT INDUSTRIAL LUMINAIRE c/w SLOTTED REFLECTOR AND ELECTRONIC BALLAST.	120V	2-32W T8 4100°K	LITHONIA LIGHTING: RIU 2 32 120 GEB10RS CSA
B	HPS WALLPACK CUT-OFF, HIGH POWER FACTOR BALLAST, CAST BODY POLYCARBONATE LENS	120V	1-70W HPS	LITHONIA LIGHTING: TWAC 70S 120 XHP CSA RK1 PEB1 CSA



1 EXHAUST FAN EF-1 STARTER CIRCUIT
SCALE: N.T.S.

SUPPLY: 120/240V 1Ø 3W MAINS AMPACITY: 100A INCOMING: <input checked="" type="checkbox"/> BREAKER <input type="checkbox"/> LUGS MAIN BREAKER REQUIRED: <input checked="" type="checkbox"/> YES <input type="checkbox"/> NO MAIN BREAKER AMPS: 60A BUS MATERIAL: <input checked="" type="checkbox"/> COPPER <input type="checkbox"/> ALUMINUM BUS AND BREAKER RATING: 22 kA (SYM.) I.C.		NAME PLATE: PANEL 'A'	LOCATION: - MOUNTING: <input checked="" type="checkbox"/> SURFACE <input type="checkbox"/> FLUSH MANUFACTURER: - MODEL NO: - BREAKER: <input type="checkbox"/> PLUG-IN <input checked="" type="checkbox"/> BOLT-ON BREAKER TYPE: -						
CCT	VA	P	BKR	L1	L2	BKR	P	VA	CCT
1	-	1	15	+	+	15	1	-	2
3	-	1	15	+	+	15	1	-	4
5	-	1	15	+	+	20	1	-	6
7	-	1	15	+	+	20	1	-	8
9	-	1	15	+	+	20	1	-	10
11	-	1	30	+	+	15	1	-	12
13	-	2	30	+	+	-	1	-	14
15	-	-	-	+	+	-	1	-	16
17	-	1	15	+	+	-	1	-	18
19	-	1	15	+	+	-	1	-	20
21	-	1	15	+	+	15	1	-	22
23	-	1	15	+	+	15	1	-	24
	LOAD 'A'			LOAD 'B'				LOAD 'C'	

COWLEGGEND

B.M. : ELEV. :		KGS GROUP CONSULTING ENGINEERS & PROJECT MANAGERS WINNIPEG (204) 896-1209 THUNDER BAY (807) 345-2233	ENGINEER'S SEAL THE ORIGINAL ISSUE REV. 0 WAS STAMPED, DATED AND SIGNED BY E. WILLMS, P.ENG. ON 23/09/08	PROJECT TITLE RAVELSTON LAND DRAINAGE PUMPING STATION ELECTRICAL SCHEDULES	SHEET OF 08 OF 08 COMPUTER FILE NAME 08-0107-03E08.dwg CITY DRAWING NUMBER LD-5100
DESIGNED BY DDW DRAWN BY GCN HOR. SCALE: N.T.S. VERTICAL: .	CHECKED BY REW APPROVED BY RELEASED FOR CONSTRUCTION:		CONSULTANT DRAWING NO. 08-0107-03E08		
0 ISSUED FOR CONSTRUCTION 08/09/23 REW	NO. REVISIONS DATE BY DATE 08/01/11 DATE				