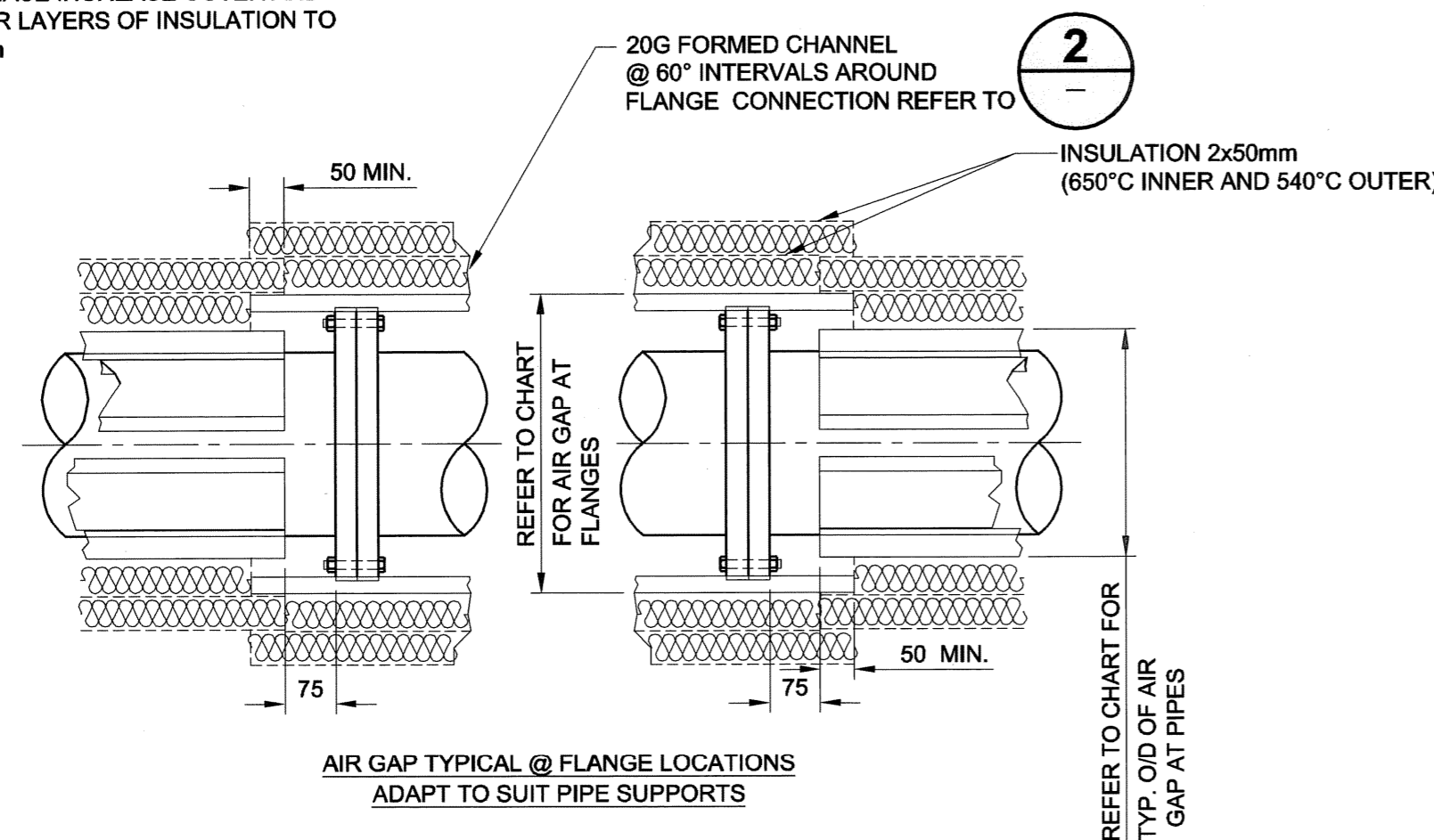


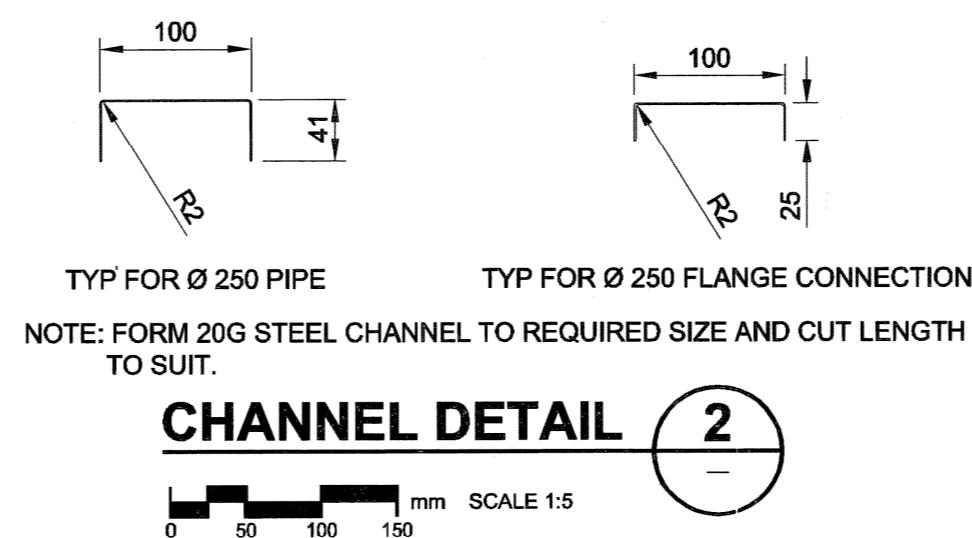
NOTE: IN CHASE INCREASE OUTER AND INNER LAYERS OF INSULATION TO 75mm

AIR GAP @ TYPICAL PIPE

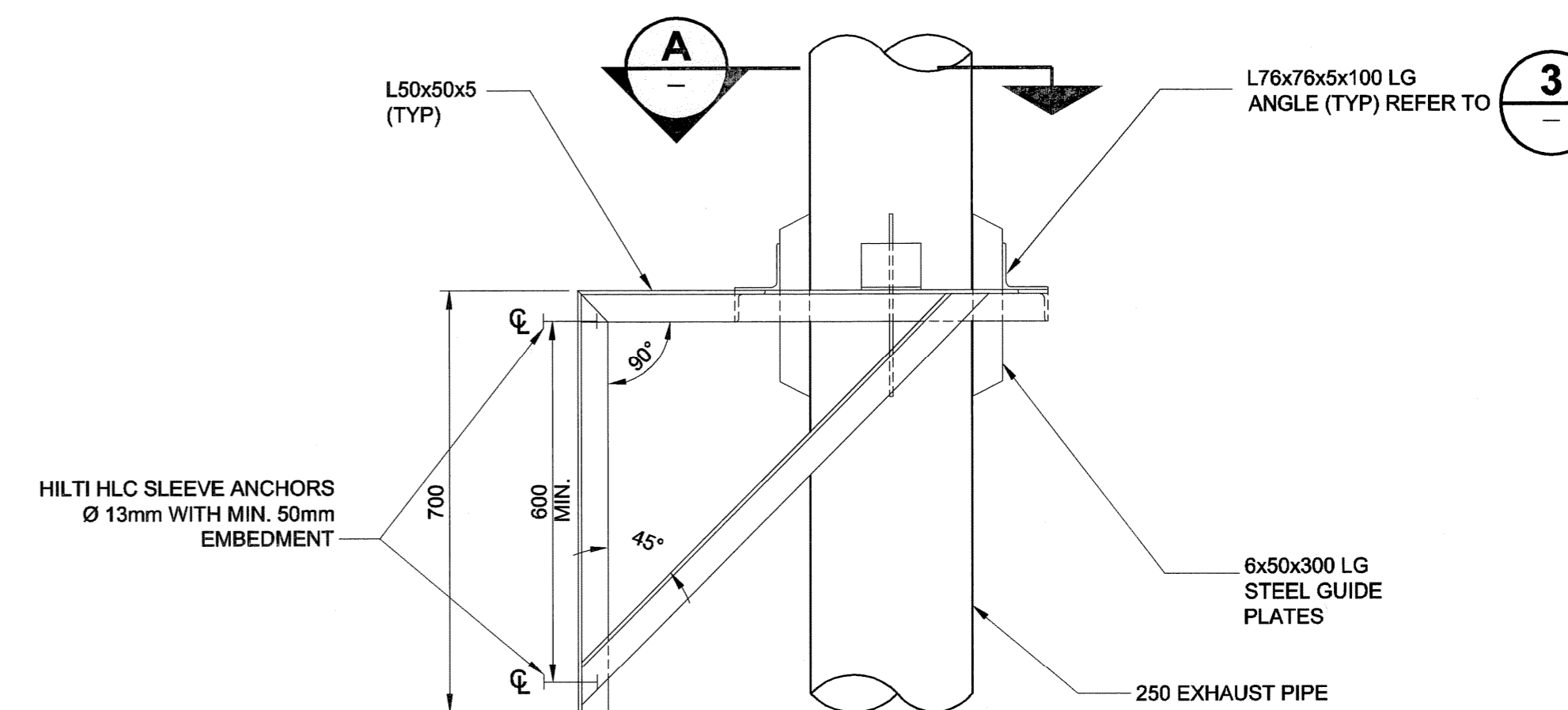


AIR GAP DETAILS 1
 M0003-001
 SCALE 1:10

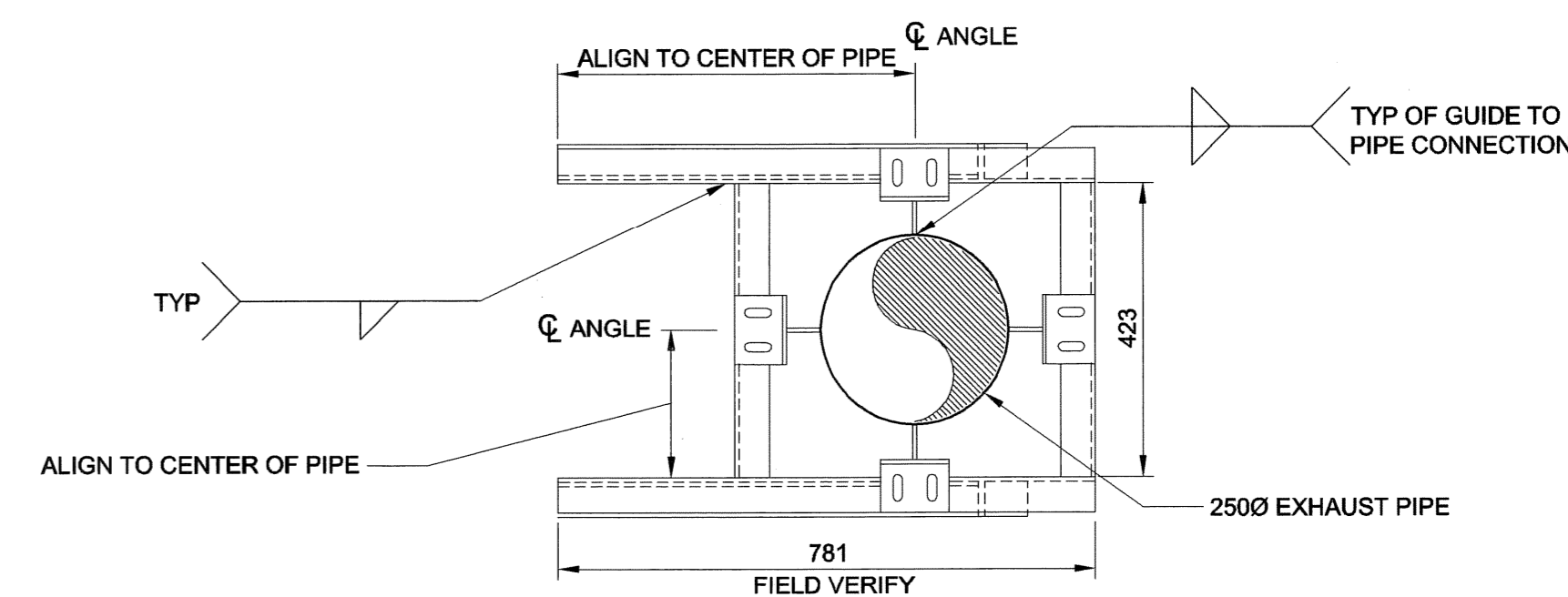
AIR GAP CHART (O.D.)			
PIPE		FLANGE	
NOMINAL Ø	AIR GAP	SIZE O.D.	AIR GAP
250mm	325mm	400mm	460mm



DETAIL 3
 SCALE 1:5



GUIDE FRAME DETAIL 4
 M0003-001
 SCALE 1:10



SECTION A
 SCALE 1:10

UMA REVIEW
 DRN CHK DES ENG IDR

NO.	REVISIONS	DATE	BY
C	ISSUED FOR BID	08/11/21	RS
B	ISSUED FOR REVIEW	08/10/28	RS
A	ISSUED FOR REVIEW	08/09/29	RS
NO.	REVISIONS	DATE	BY

DESIGNED BY	CC	CHECKED BY	
DRAWN BY	RS	APPROVED BY	
HOR. SCALE	AS NOTED	RELEASED FOR CONSTRUCTION	
VERT. SCALE	AS NOTED		
DATE		DATE	

APEGM
 Certificate of Authorization
 UMA Engineering Ltd. (MB)
 No. 256 Date: Nov 25-08

PROFESSIONAL'S SEAL
 PROVINCE OF MANITOBA
 Nov 25-08
 C.A.D. COURCHAINE
 REGISTERED PROFESSIONAL ENGINEER
 CONSULTANT DRAWING NO.
 D265-199-00_04-M-0004_RX.dwg

THE CITY OF WINNIPEG
WATER AND WASTE DEPARTMENT

MCPHILLIPS PUMPING STATION
P1, 3, 5 EXHAUST REPLACEMENT
MISCELLANEOUS DETAILS AND SECTION

SHEET 1 OF 1
 CITY DRAWING NUMBER
 1-0640M-M0004-001
 REV C