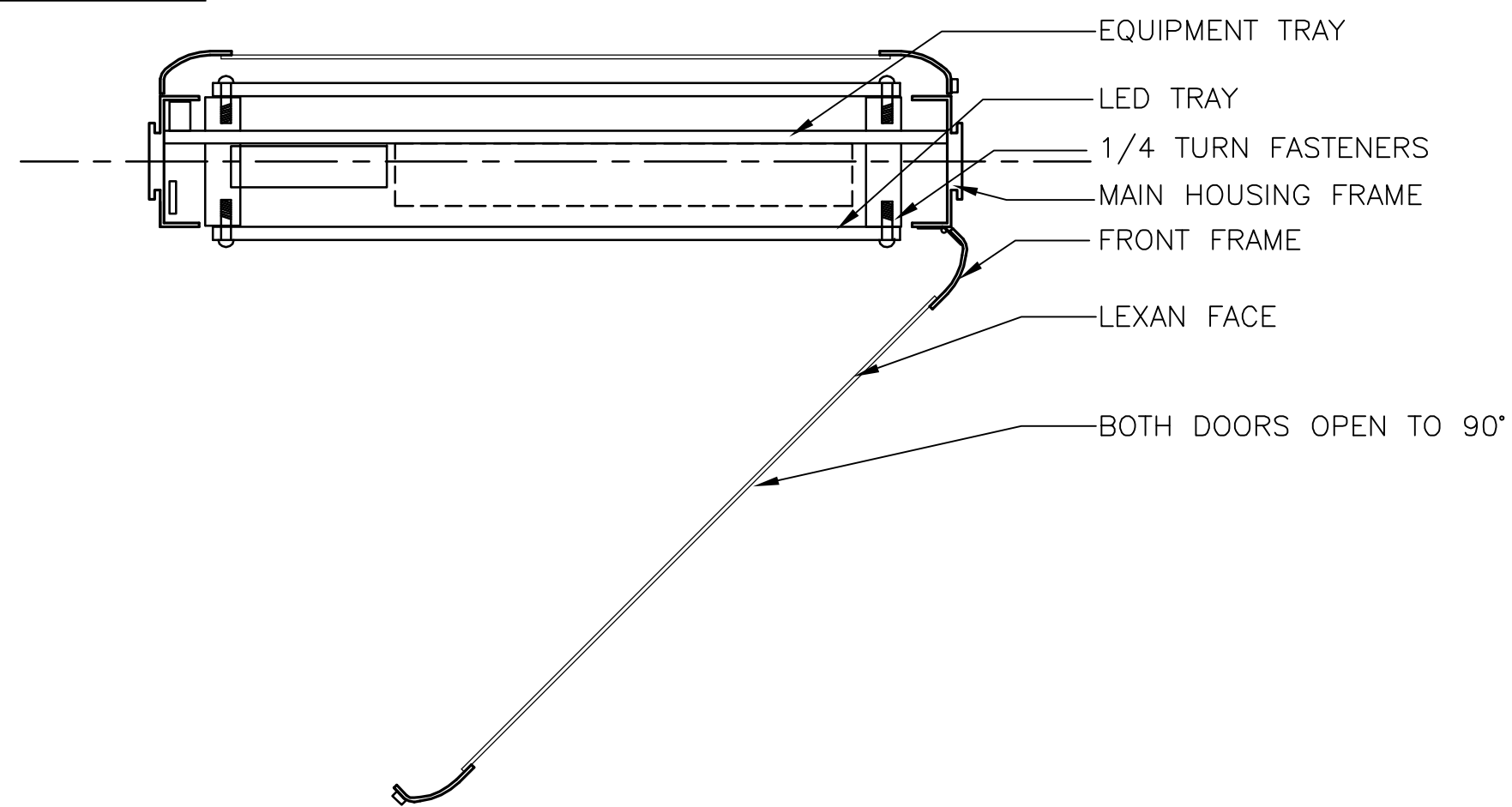
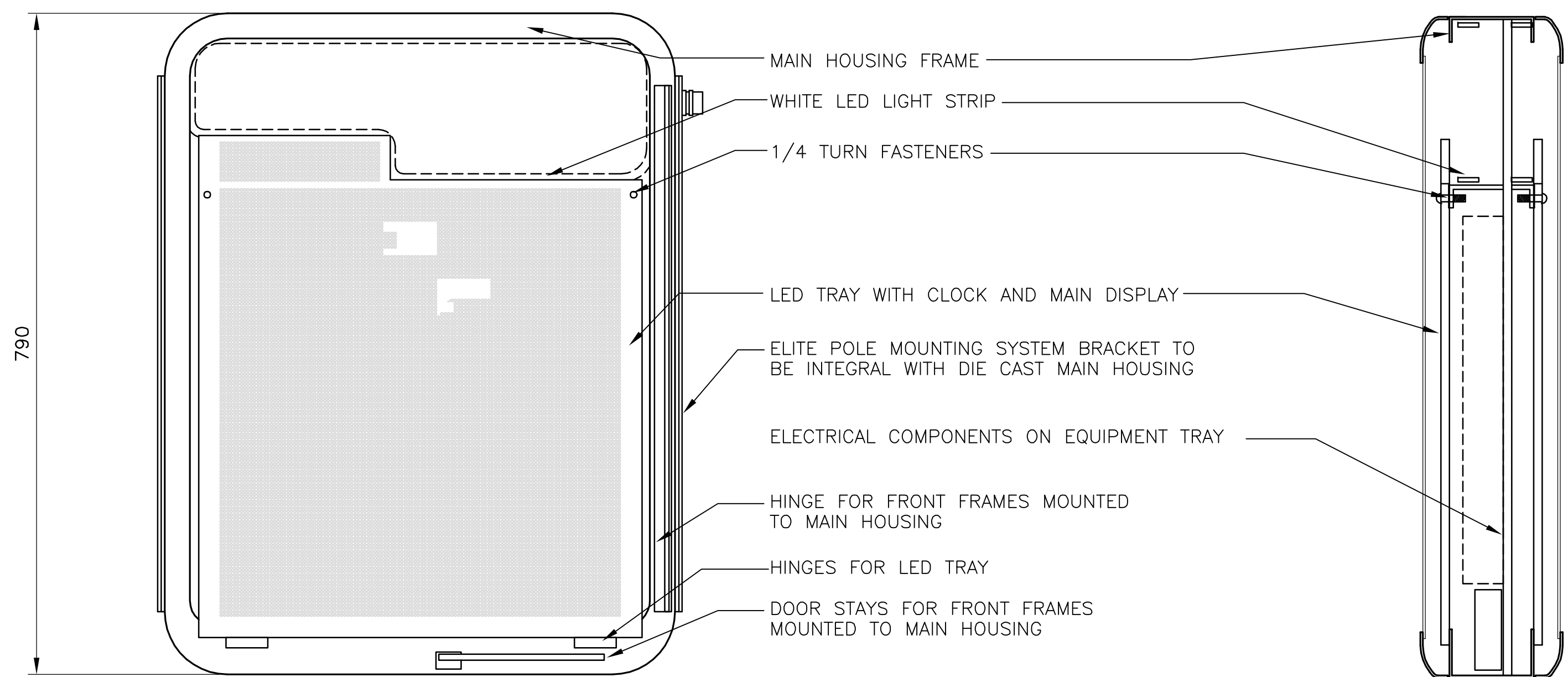


FRONT VIEW



SECTION WITH DOOR OPEN



VIEW WITH FRONT FRAME REMOVED

ALL DIMENSIONS PROVIDED PROVIDED FOR INFORMATION ON DESIGN INTENT ONLY.

CONTACTOR TO SUPPLY SHOP DRAWINGS STAMPED BY A STRUCTURAL ENGINEER & AN ELECTRICAL ENGINEER LICENSED TO PRACTICE IN THE PROVINCE OF MANITOBA WITH EXTENSIVE EXPERIENCE IN THE DESIGN & MANUFACTURING OF LED SIGNS AND ALUMINUM STRUCTURES FOR PUBLIC TRANSIT. SHOP DRAWINGS TO INCLUDE WALL THICKNESS, MATERIALS, WIRING, ETC. AS LISTED IN THE SPECIFICATIONS.

WHITE LED
BRACKET FOR FASTENER

ANGLE OF SIGN FACE TO BE OPTIMIZED FOR SIGN LOCATION AND HEIGHT

EQUIPMENT AREA

MODEM

PO

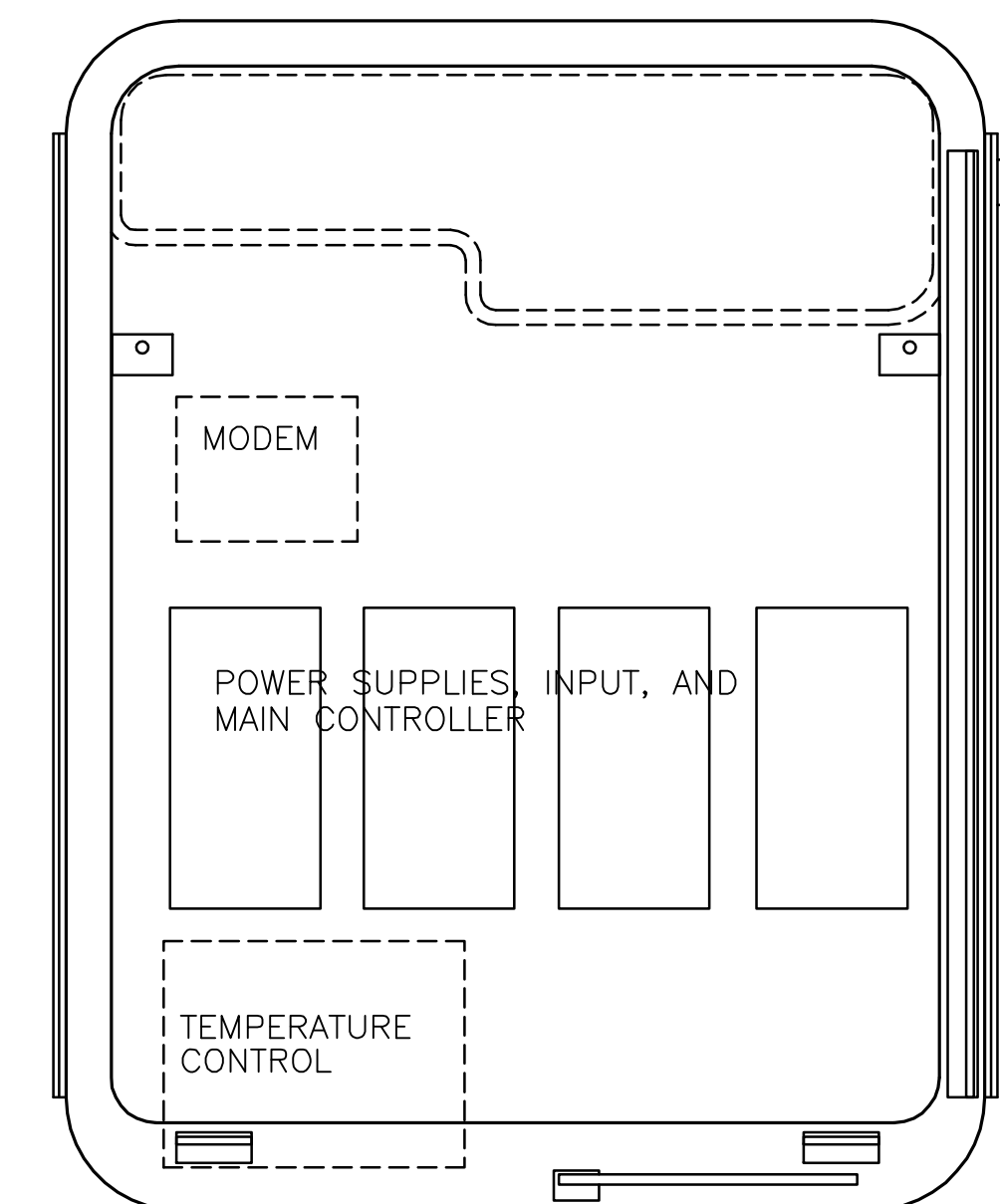
DIE CAST MAIN HOUSING

WHITE LED STRIP LIGHT WITH BALLAST TO ILLUMINATE PRINTED LETTERING ON LEXAN FACE

MOUNTING BRACKETS FOR 1/4 TURN FASTENERS

ELITE POLE MOUNTING SYSTEM BRACKET TO BE INTEGRAL WITH DIE CAST MAIN HOUSING

HINGES FOR LED TRAY



VIEW WITH LED TRAY REMOVED

No.	Revisions	Date	By
Date		Scale	
06-10-08		1:50	
Designed By	Drawn By	Checked By	
JW/SR	JW	SR	

Seals



WINNIPEG TRANSIT
Project Title
ELECTRONIC BUS DEPARTURE DISPLAY SIGNAGE

Sheet Title
SIGN TYPE B

Project No. 08-062 Drawing No. S2