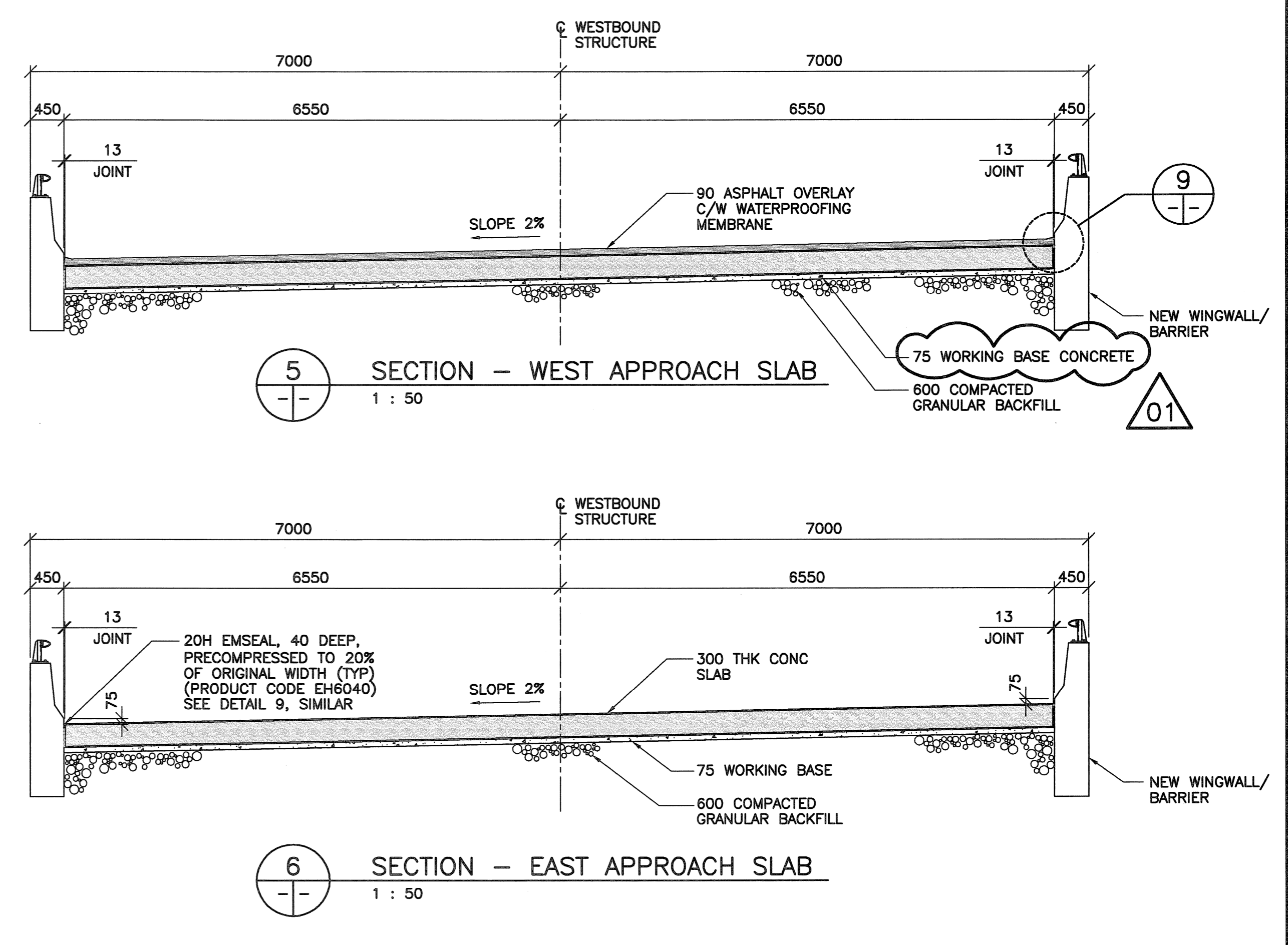


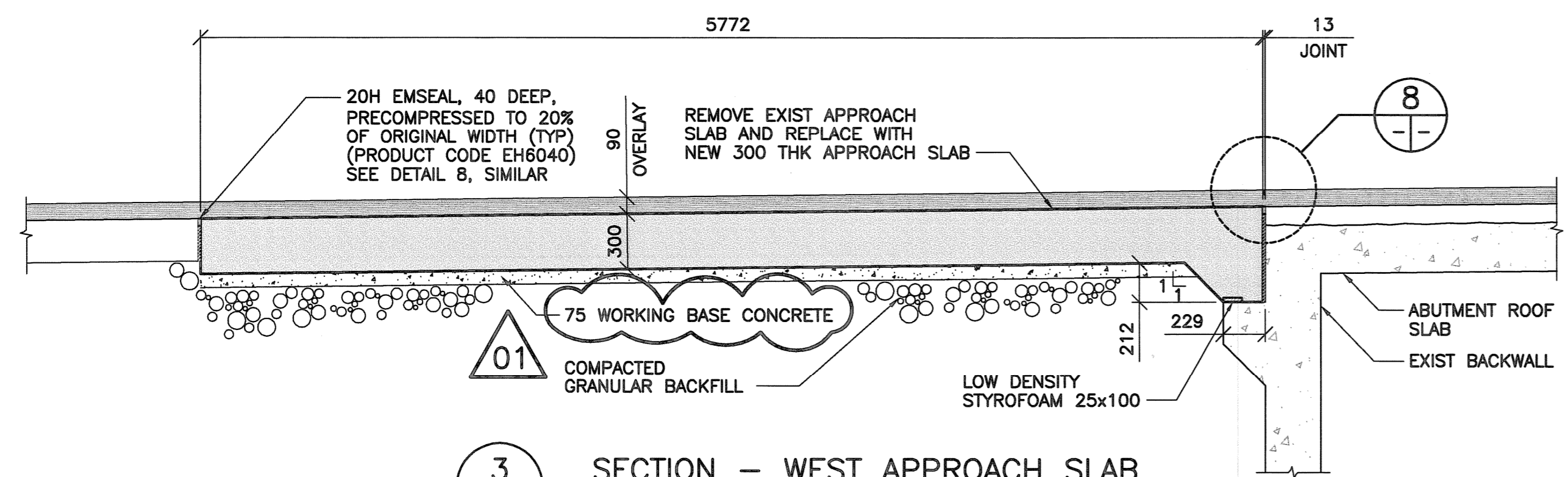
1 WEST APPROACH SLAB
1 : 75

2 EAST APPROACH SLAB
1 : 75

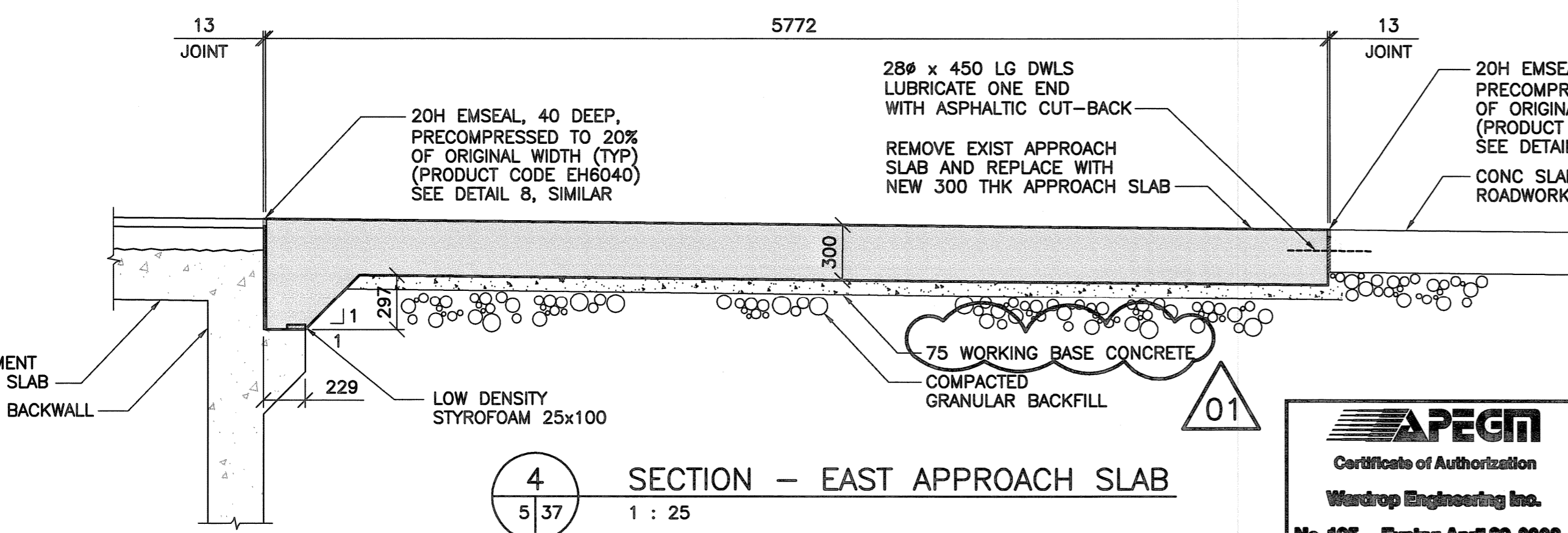


5 SECTION - WEST APPROACH SLAB
1 : 50

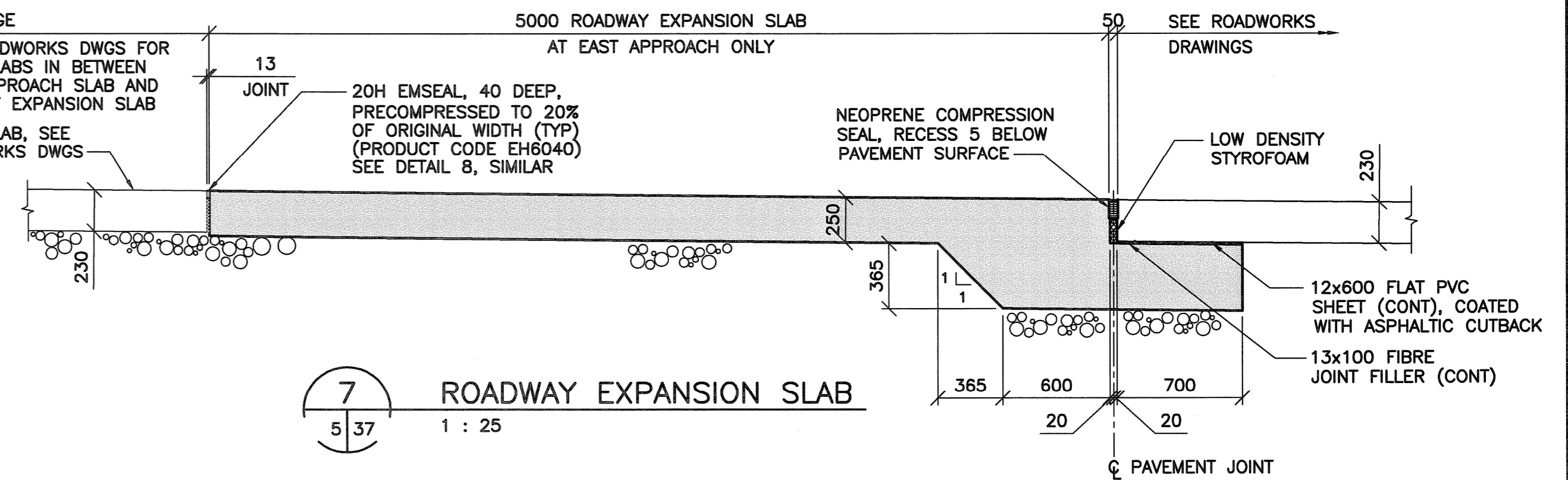
6 SECTION - EAST APPROACH SLAB
1 : 50



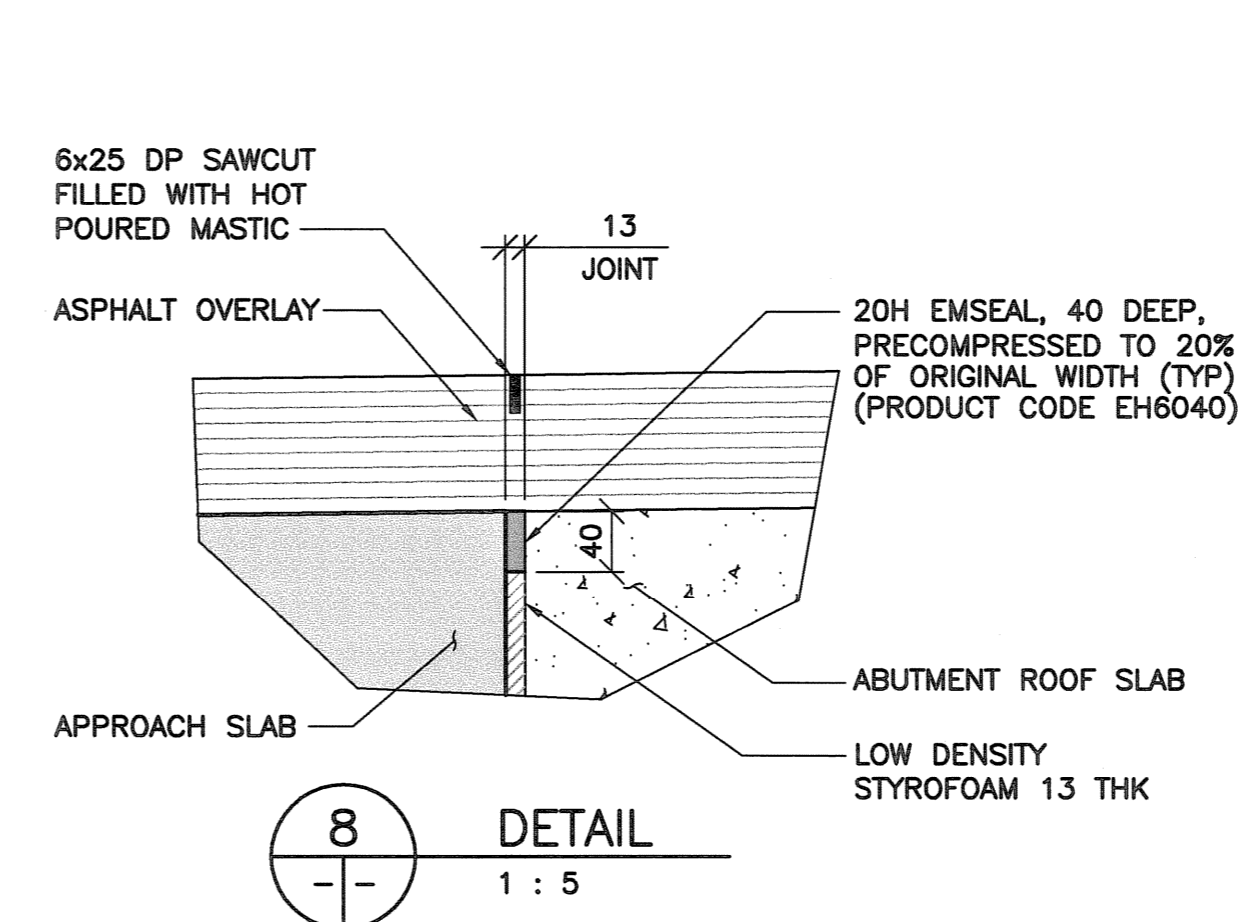
3 SECTION - WEST APPROACH SLAB
1 : 25



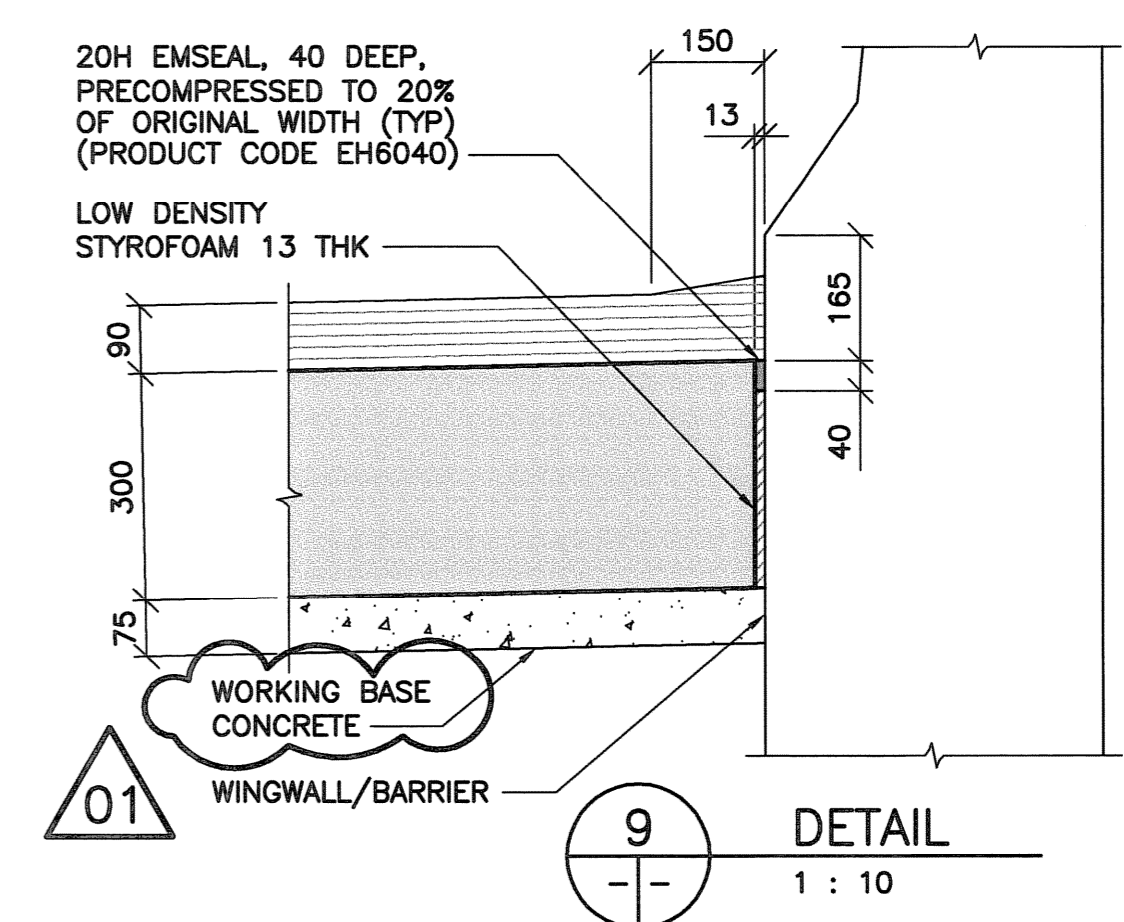
4 SECTION - EAST APPROACH SLAB
1 : 25



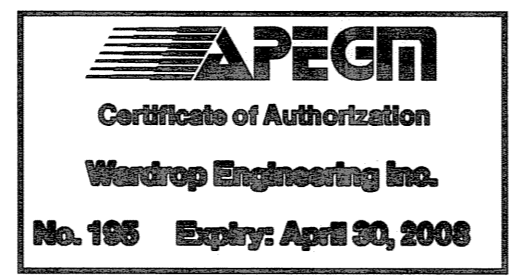
7 ROADWAY EXPANSION SLAB
1 : 25



8 DETAIL
1 : 5



9 DETAIL
1 : 10



B.M. ELEV.	F.B.	WARDROP Engineering Inc.	ORIGINAL DRAWING REVISION "00" SEALED BY E.F. SHEHATA 08.02.05	THE CITY OF WINNIPEG PUBLIC WORKS DEPARTMENT TRANSPORTATION ENGINEERING DIVISION	CITY DRAWING NUMBER B173-08-037W SHEET 37 OF 54
		DRAWN BY G.I.	APPROVED BY [Signature]	CONSULTANT DRAWING NO. 0600070700-DWG-S1137-00	EAST AND WEST APPROACH SLABS CONCRETE DETAILS 37
01 ISSUED FOR ADDENDUM #2 08.03.05		HOR. SCALE: AS NOTED	ACCEPTED BY [Signature]		
00 ISSUED FOR TENDER 08.02.05		VERTICAL: AS NOTED	DATE 08.02.05		
NO. REVISIONS	DATE	BY	DATE		