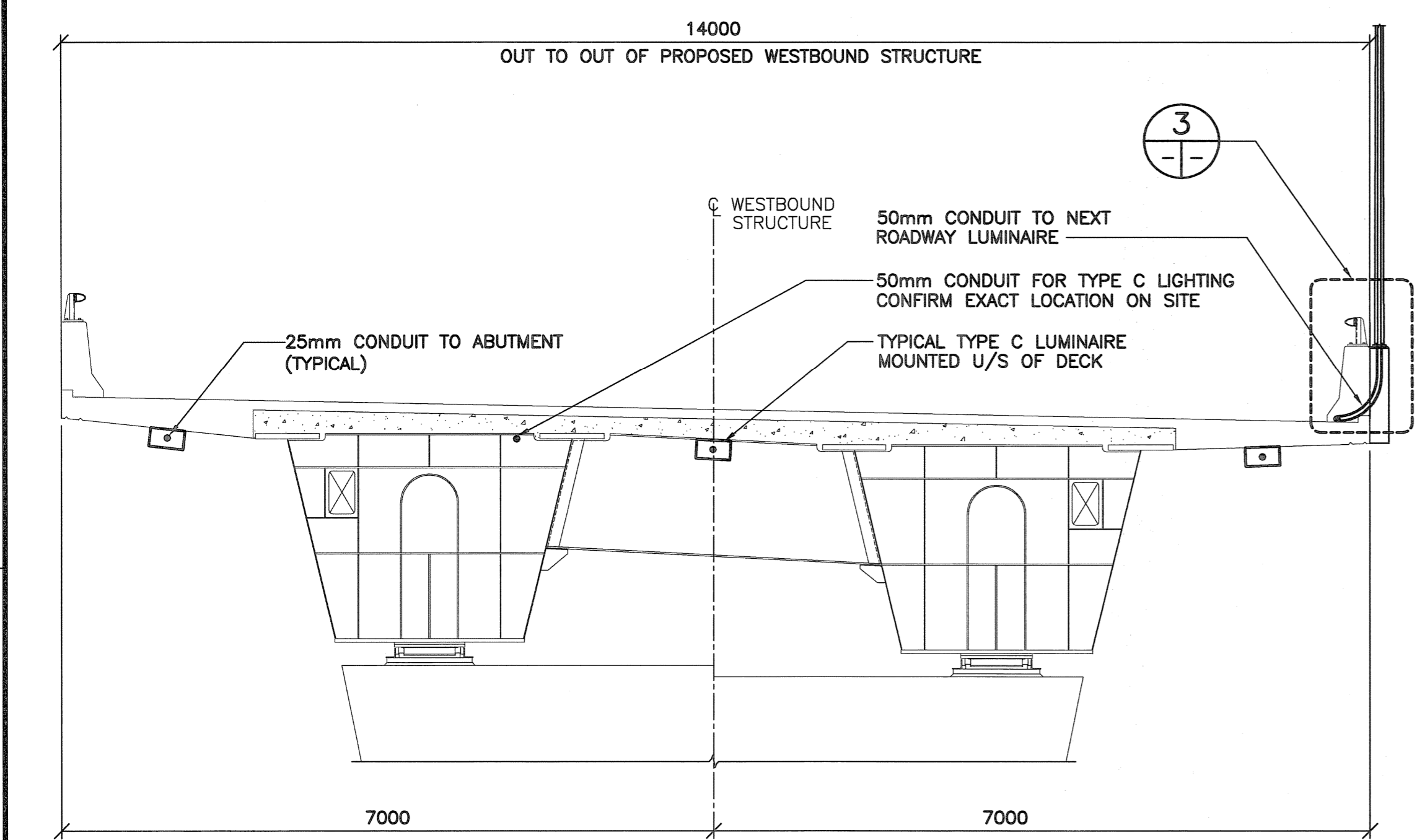
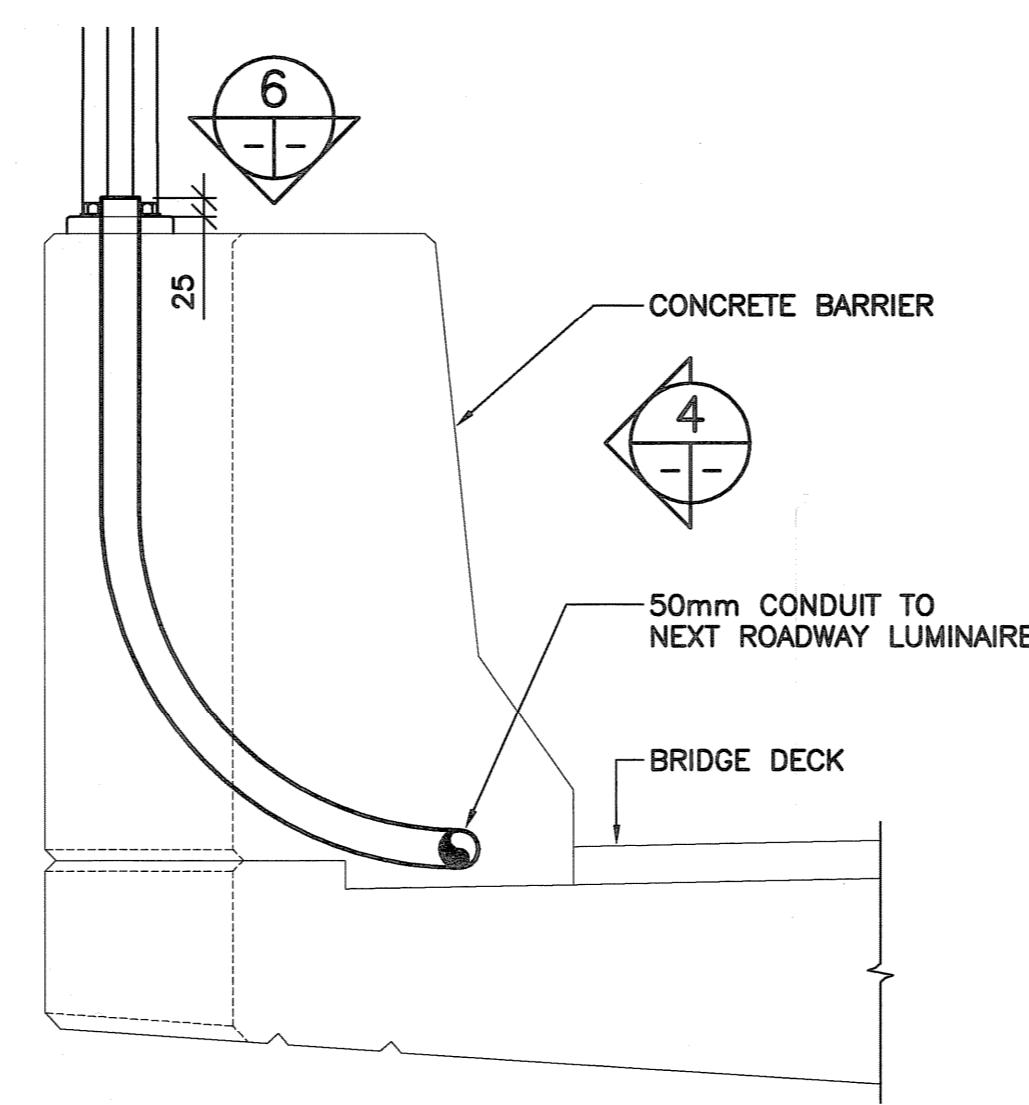


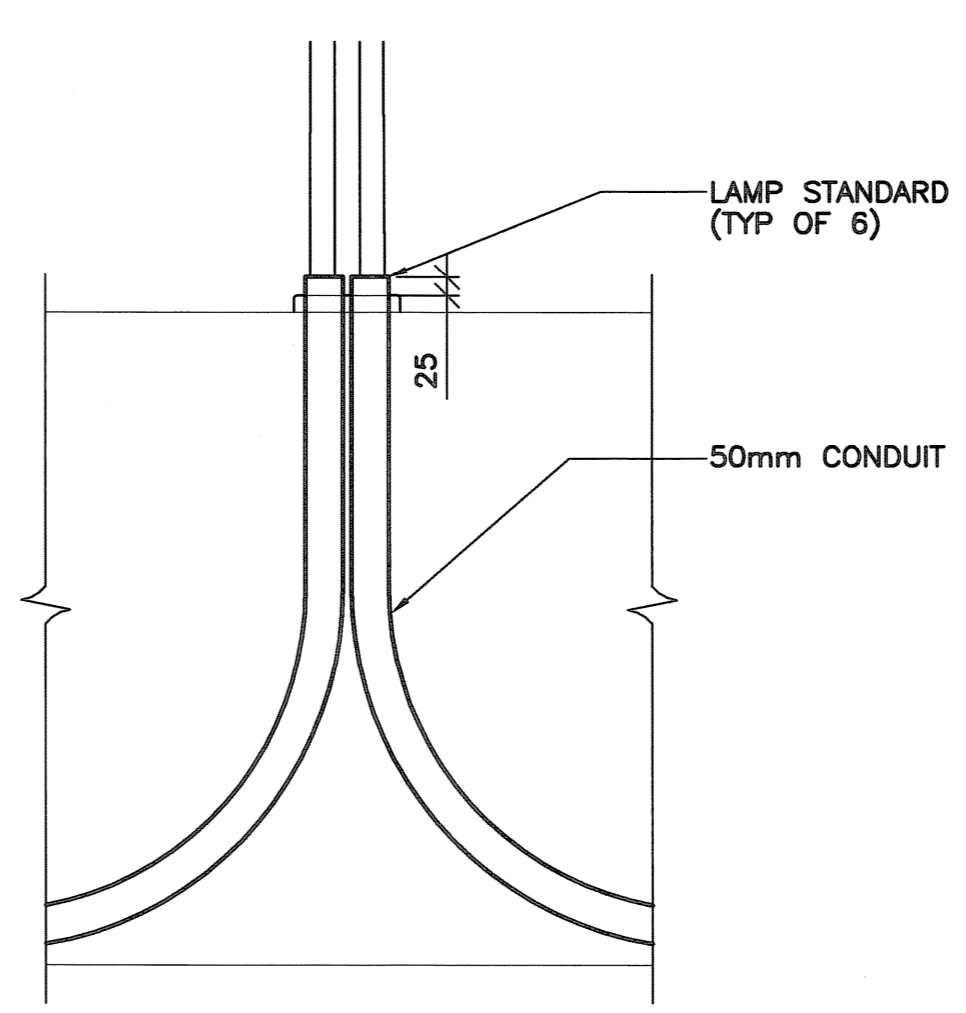
1 PLAN - WESTBOUND BRIDGE LIGHTING
1 : 500



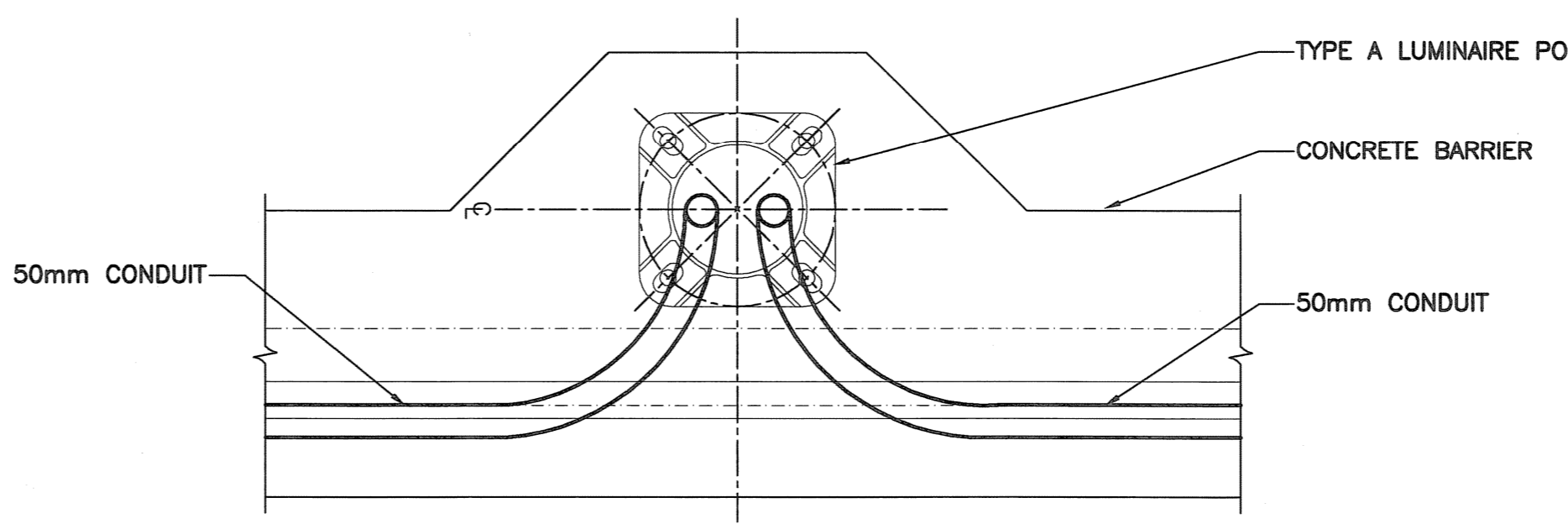
2 PEDESTRIAN UNDERPASS LIGHTING DETAIL
1 : 50
NOTES:
1. EAST ABUTMENT AS SHOWN.
2. WEST ABUTMENT OPPOSITE HAND.



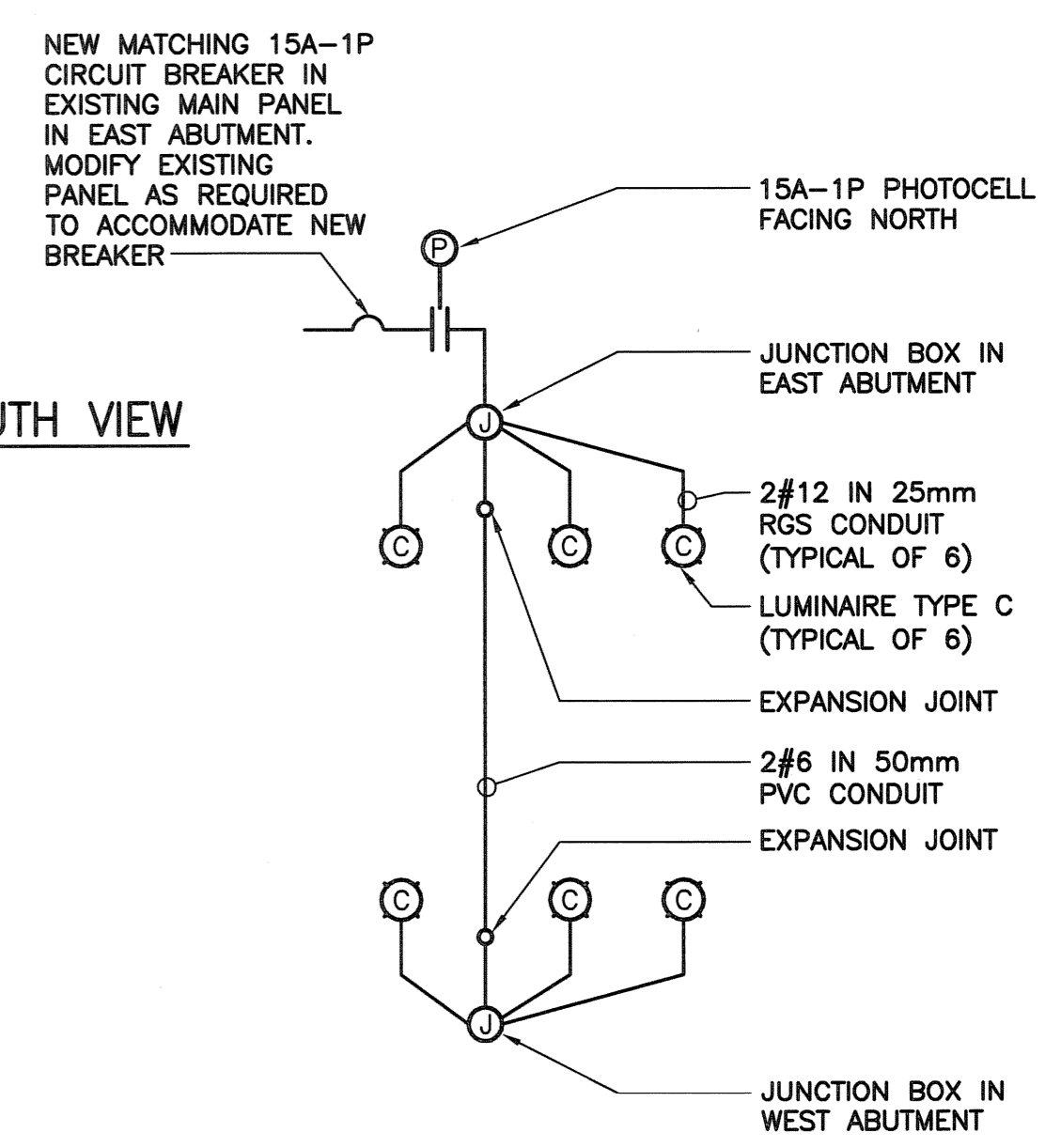
3 TYPE A LUMINAIRE BASE DETAIL - SECTION
1 : 10



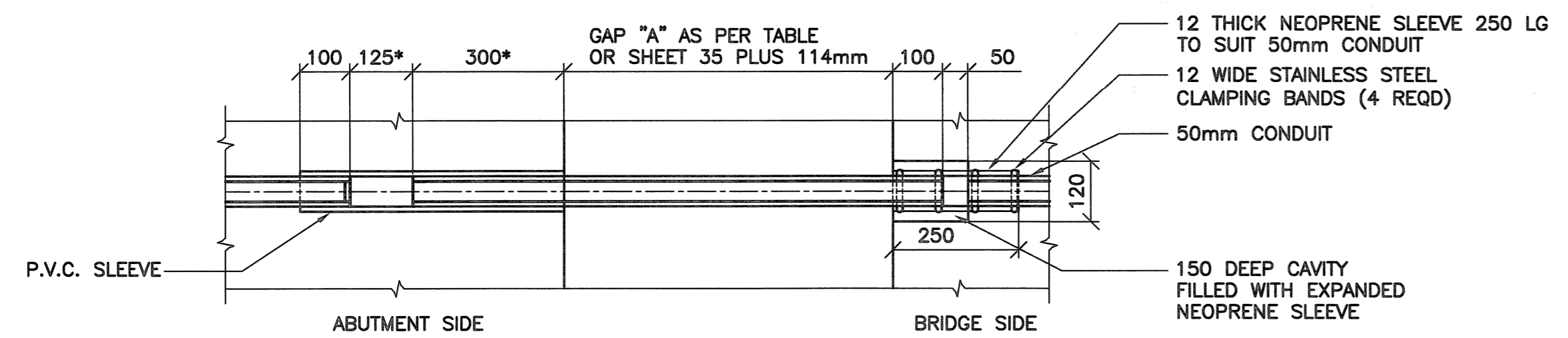
4 TYPE A LUMINAIRE BASE DETAIL - SOUTH VIEW
1 : 10



6 TYPE A LUMINAIRE BASE DETAIL - TOP VIEW
N.T.S.



7 TYPE C LUMINAIRE WIRING DIAGRAM
N.T.S.



5 TYPICAL DUCT EXPANSION JOINT ASSEMBLY
N.T.S.
* THESE DIMENSIONS ARE SHOWN AT 20°C

LUMINAIRE SCHEDULE					
TYPE	MANUFACTURER	CATALOGUE NO.	VOLTAGE	LAMPS	DESCRIPTION/MOUNTING INSTRUCTIONS
A			240V/1φ	1-400W HPS	POLE MOUNTED LUMINAIRE ON 13.7m ALUMINIUM SPUN DAVIT C/W 1.8m ARM. SUPPLIED, INSTALLED, WIRED, AND CONNECTED BY MANITOBA HYDRO. CONDUIT AND BASES BY THIS CONTRACTOR.
B					NOT USED.
C	LITHONIA	VCR5C-70S-120-DBT-CSA	120V/1φ	1-70W HPS	SURFACE MOUNTED DOWNLIGHT C/W WIRE GUARD. SUPPLIED, INSTALLED, WIRED, AND CONNECTED BY THIS CONTRACTOR.



B.M. ELEV.		F.B.		WARDROP Engineering Inc.		ORIGINAL DRAWING REVISION "00" SEALED BY L. KORENBAUM 08.02.04		THE CITY OF WINNIPEG PUBLIC WORKS DEPARTMENT TRANSPORTATION ENGINEERING DIVISION	
DESIGNED BY L.K.		CHECKED BY [Signature]		DRAWN BY H.P.C.C./T.S.		APPROVED BY [Signature]		FORT GARRY TWIN BRIDGES WESTBOUND STRUCTURE REHABILITATION AND ASSOCIATED ROADWORKS CITY DRAWING NUMBER B173-07-043W SHEET 43 OF 54	
01 ISSUED FOR ADDENDUM #2 08.03.05 L.K.M.		HOR. SCALE: AS NOTED		ACCEPTED BY [Signature]		CONSULTANT DRAWING NO. 0600070700-DWG-E0001		BRIDGE AND PEDESTRIAN UNDERPASS LIGHTING AND DETAILS 43	
00 ISSUED FOR TENDER 08.02.04 L.K.		VERTICAL: 07.11.15		RANDY FRINGS, P. ENG. BRIDGES PROJECTS ENGINEER					