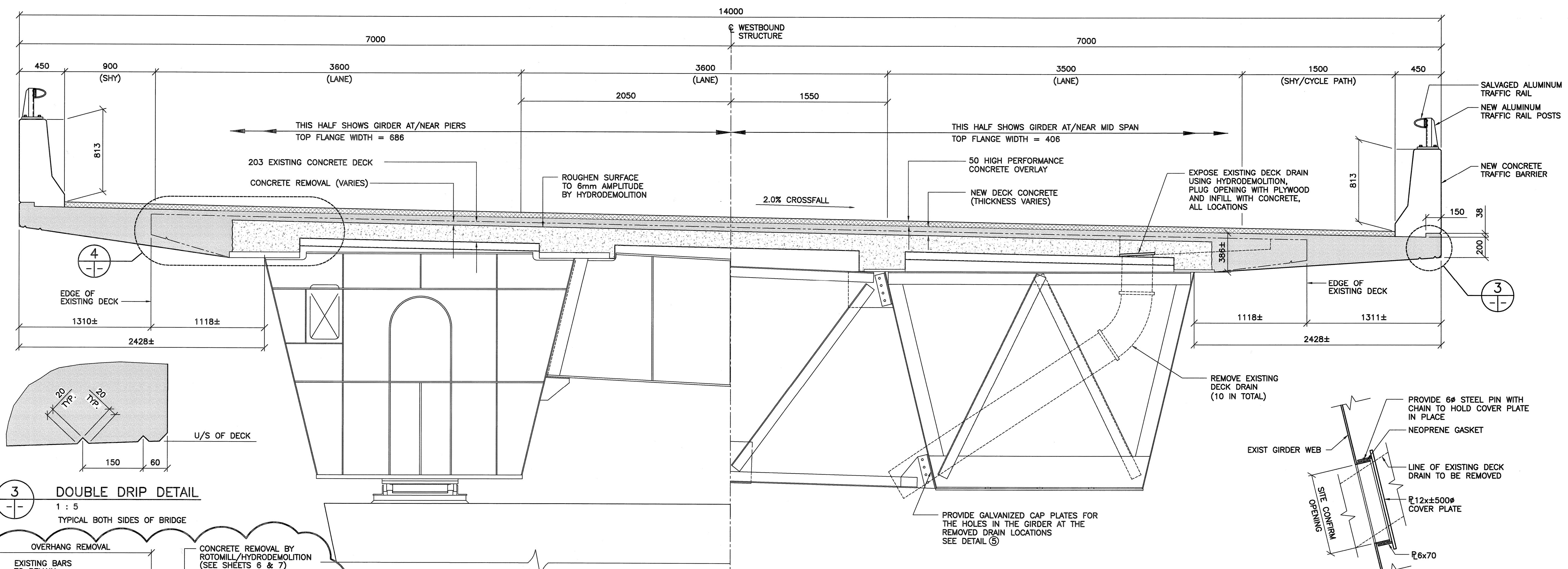
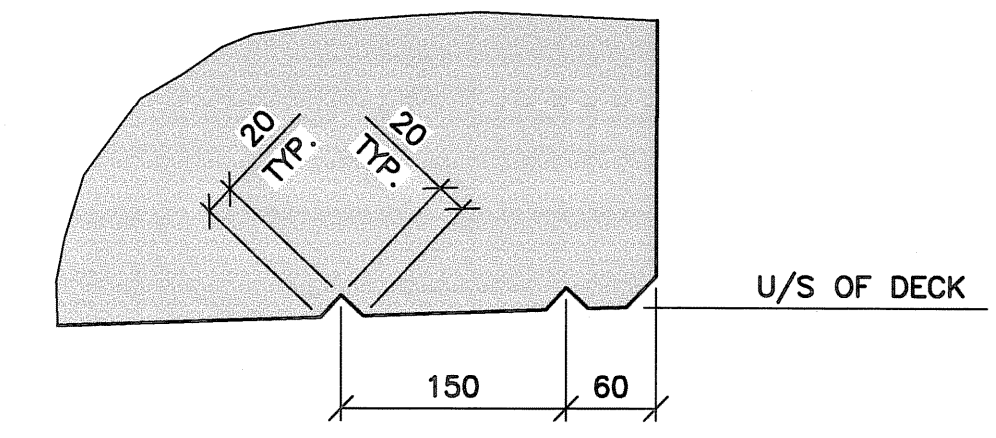


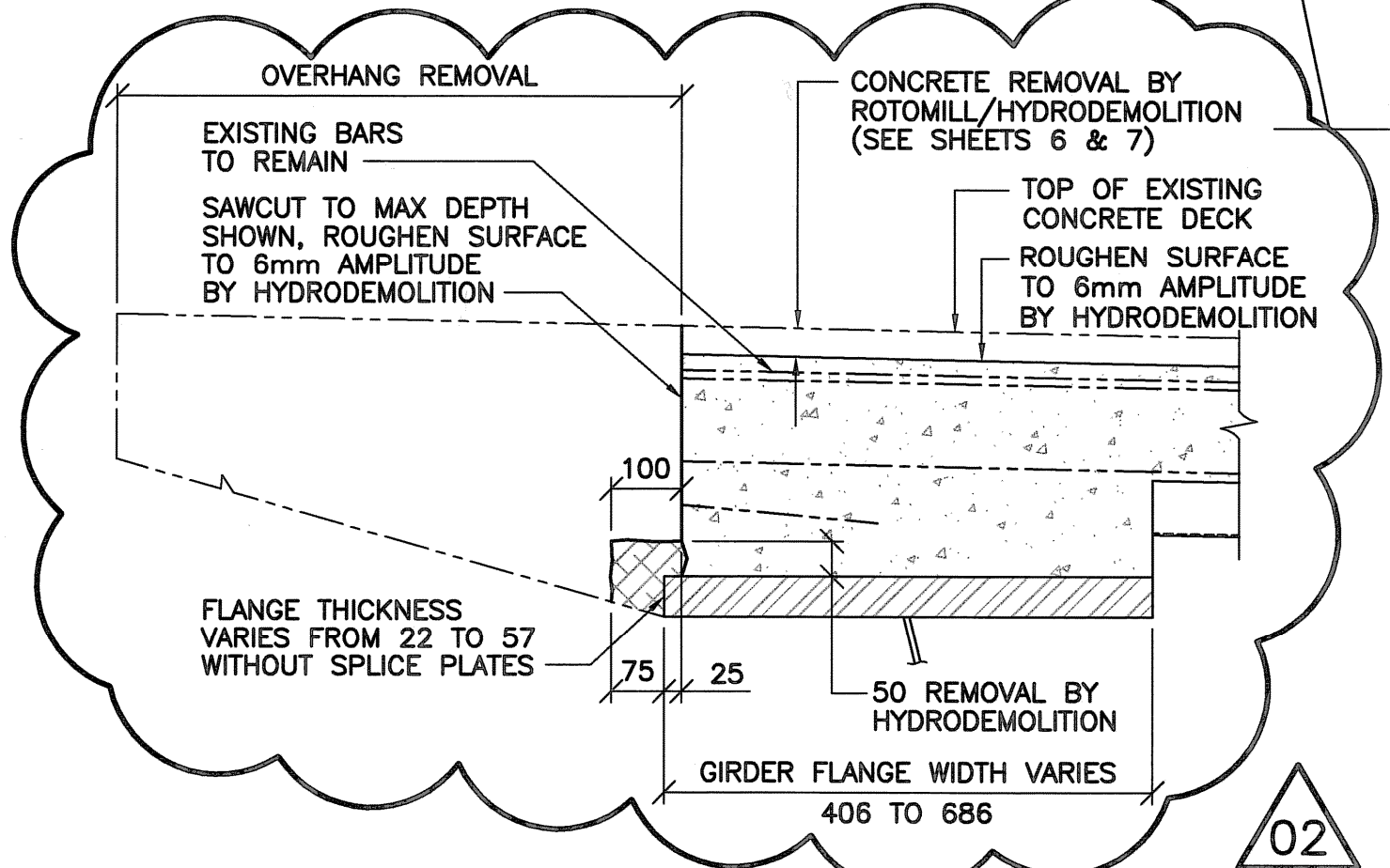
1 PLAN - WESTBOUND STRUCTURE
1 : 400



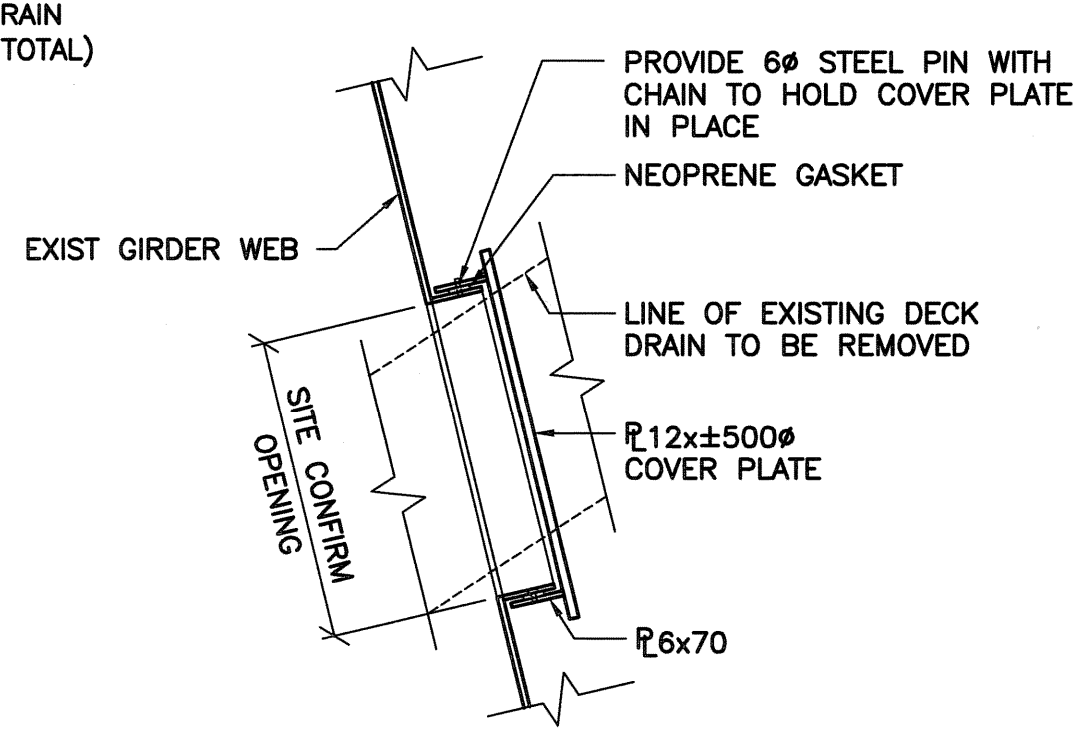
2 PROPOSED DECK CROSS SECTION
1 : 20



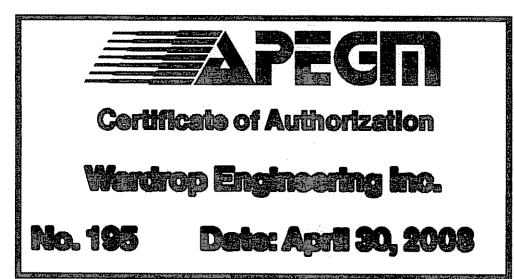
3 DOUBLE DRIP DETAIL
1 : 5
TYPICAL BOTH SIDES OF BRIDGE



4 OVERHANG REMOVAL DETAIL
1 : 10
DO NOT DAMAGE GIRDER FLANGE



5 DETAIL
1 : 10
SEE REFERENCE DRAWING B-5092-241



B.M. ELEV.	F.B.	WARDROP Engineering Inc.		ORIGINAL DRAWING REVISION "00" SEALED BY E.F. SHEHATA 08.02.05
		DESIGNED BY E.F.S.	CHECKED BY [Signature]	CONSULTANT DRAWING NO. 0600070700-DWG-S1125-02
		DRAWN BY P.S.	APPROVED BY [Signature]	
		ACCEPTED BY [Signature] DATE		
02 ISSUED FOR ADDENDUM #3 08.03.10		HOR. SCALE: AS NOTED		
01 ISSUED FOR ADDENDUM #2 08.03.05	R.H.W.	VERTICAL:		
00 ISSUED FOR TENDER 08.02.05	E.F.S.	DATE 08.02.05		
NO. REVISIONS	DATE	BY		

THE CITY OF WINNIPEG
PUBLIC WORKS DEPARTMENT
TRANSPORTATION ENGINEERING DIVISION

FORT GARRY TWIN BRIDGES
WESTBOUND STRUCTURE REHABILITATION
AND ASSOCIATED ROADWORKS

CITY DRAWING NUMBER
B173-08-025W
SHEET 25 OF 54

BRIDGE DECK - CONCRETE DETAILS 1

25