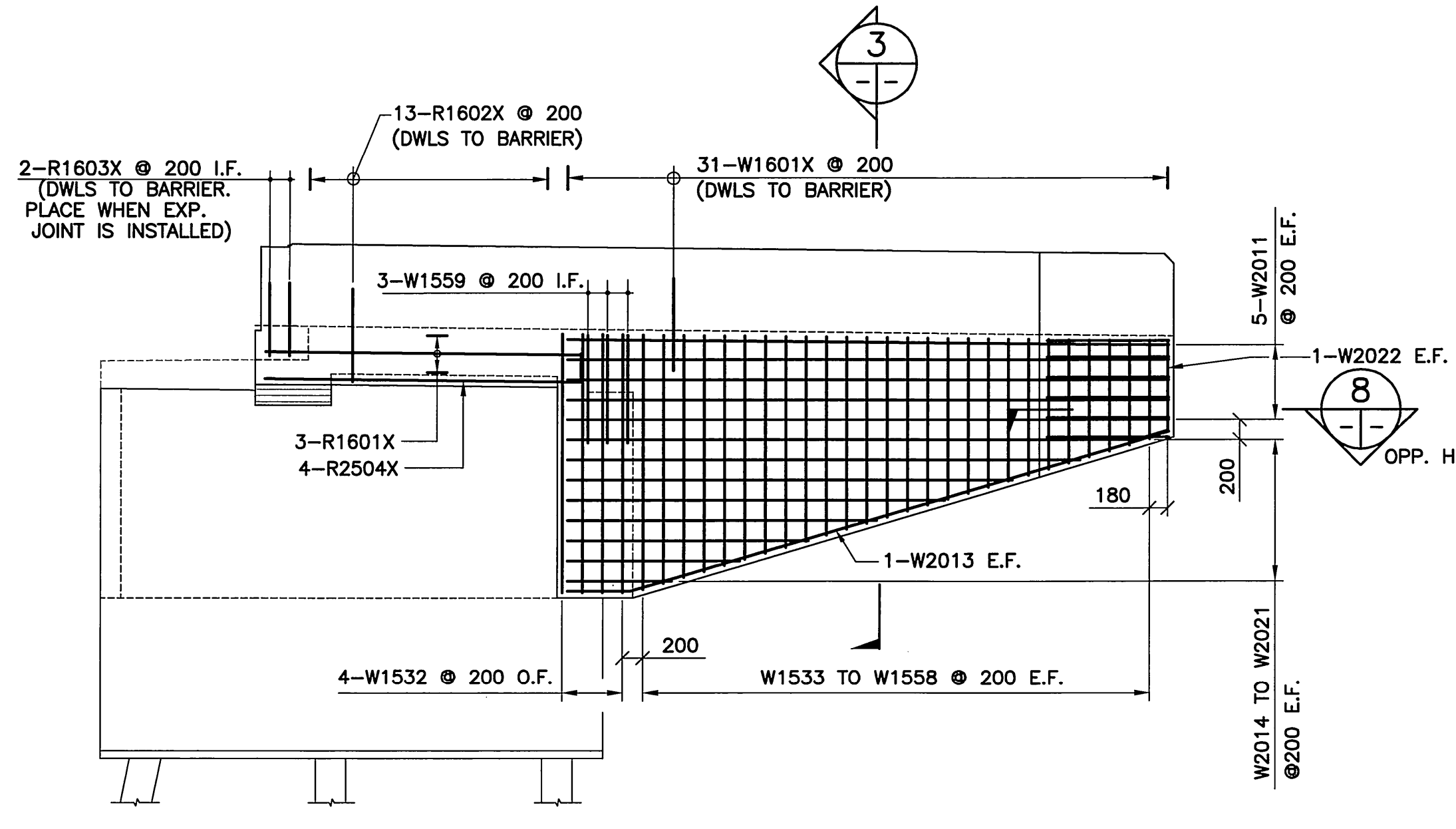
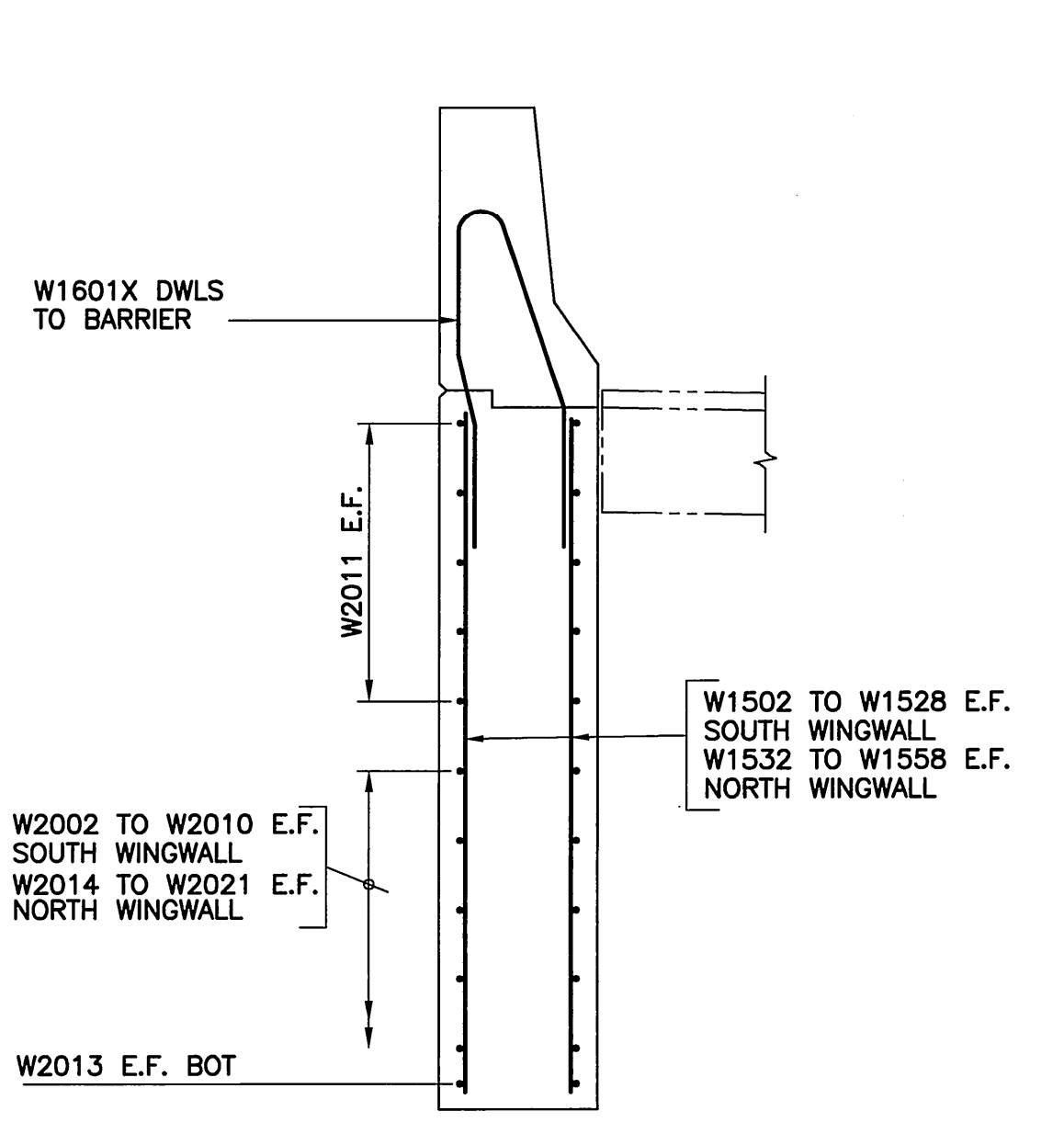


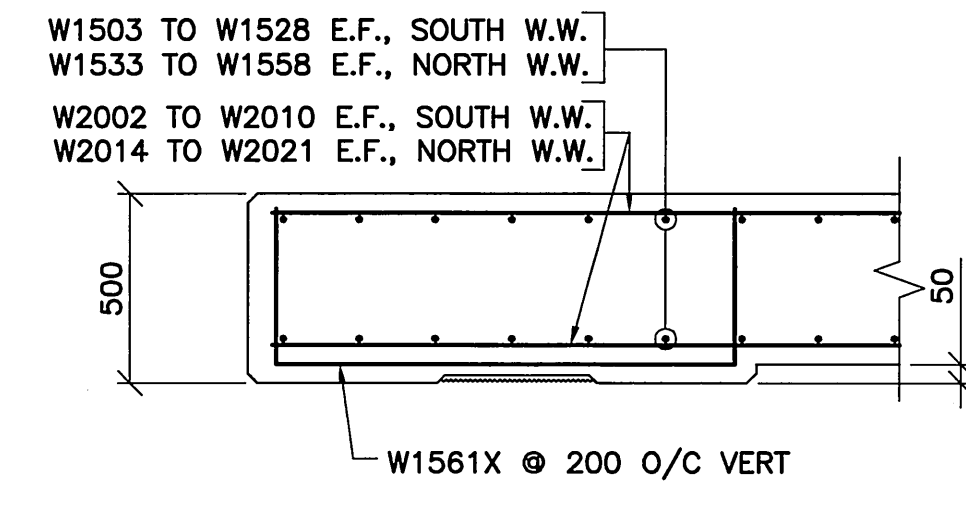
1 SOUTH WINGWALL ELEVATION  
12 13 1 : 50



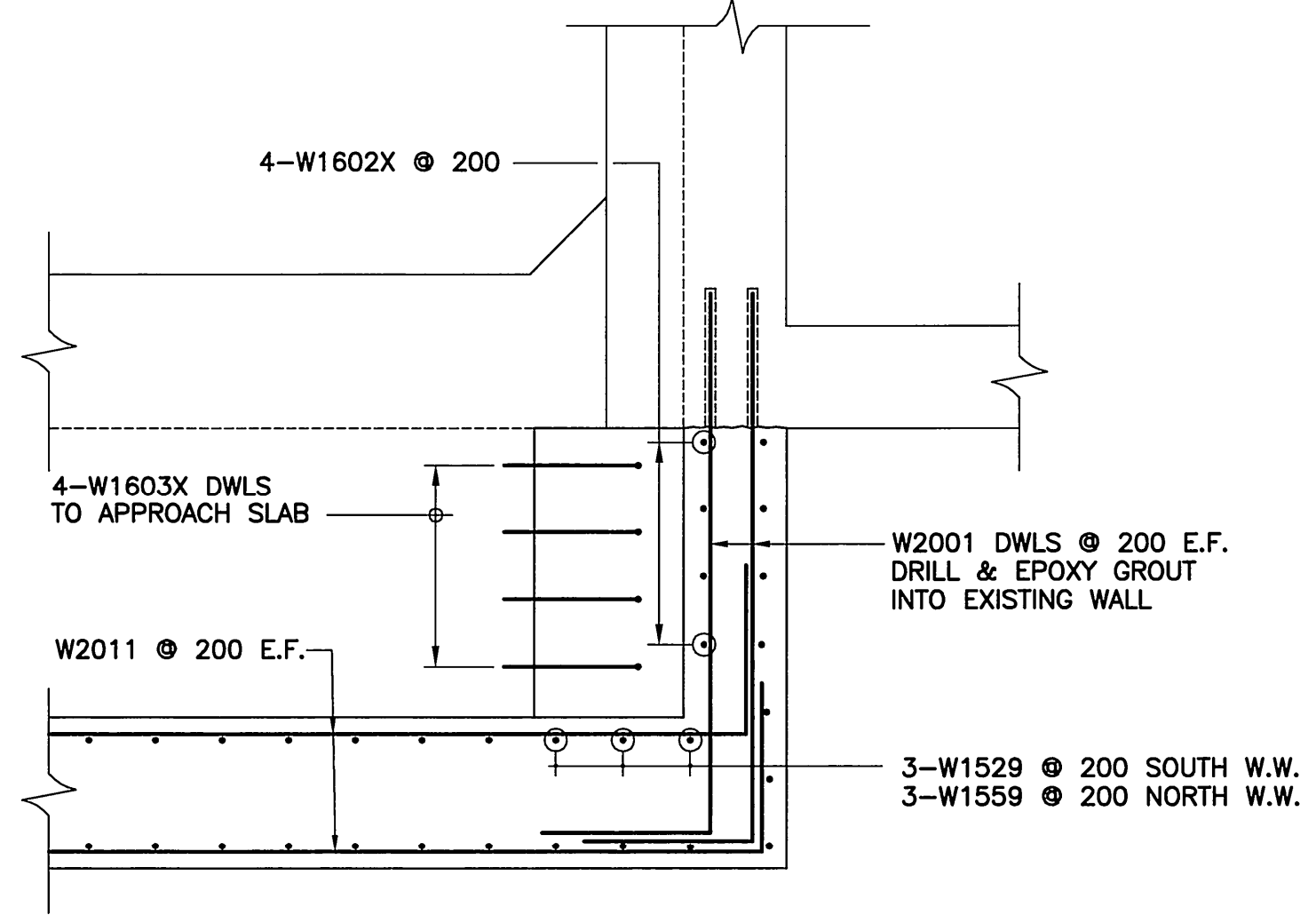
2 NORTH WINGWALL ELEVATION  
12 13 1 : 50



3 SECTION  
1 : 20

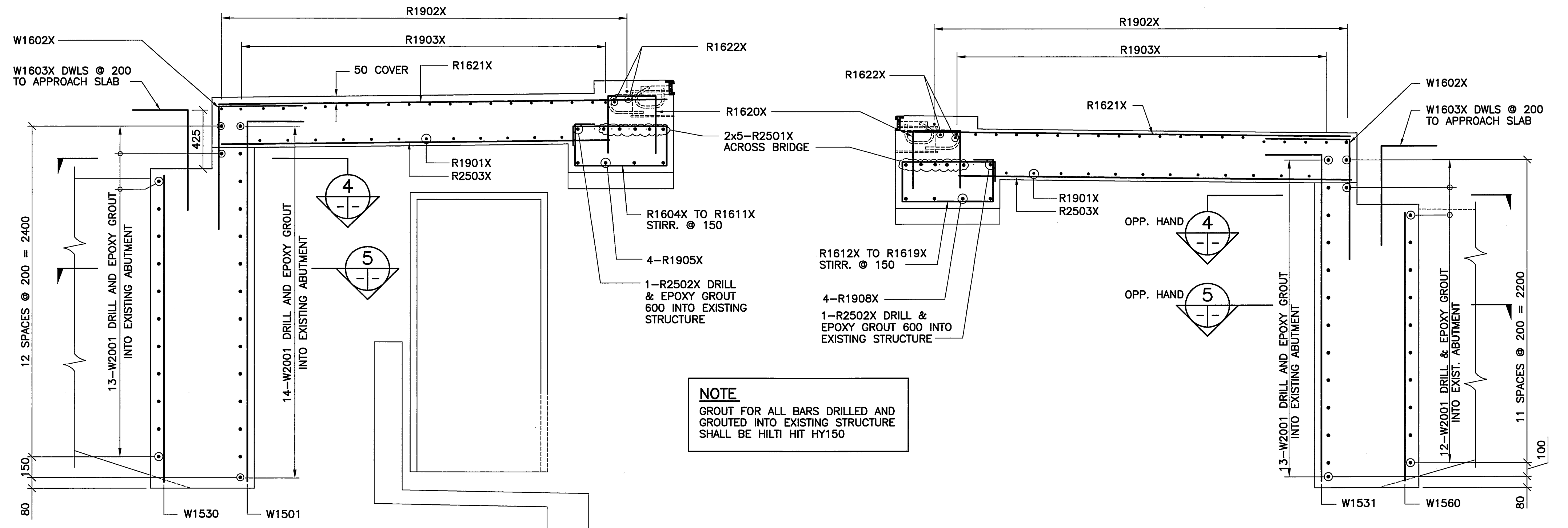


8 SECTION  
1 : 20



4 SECTION  
1 : 20  
TYP AT EACH SIDE

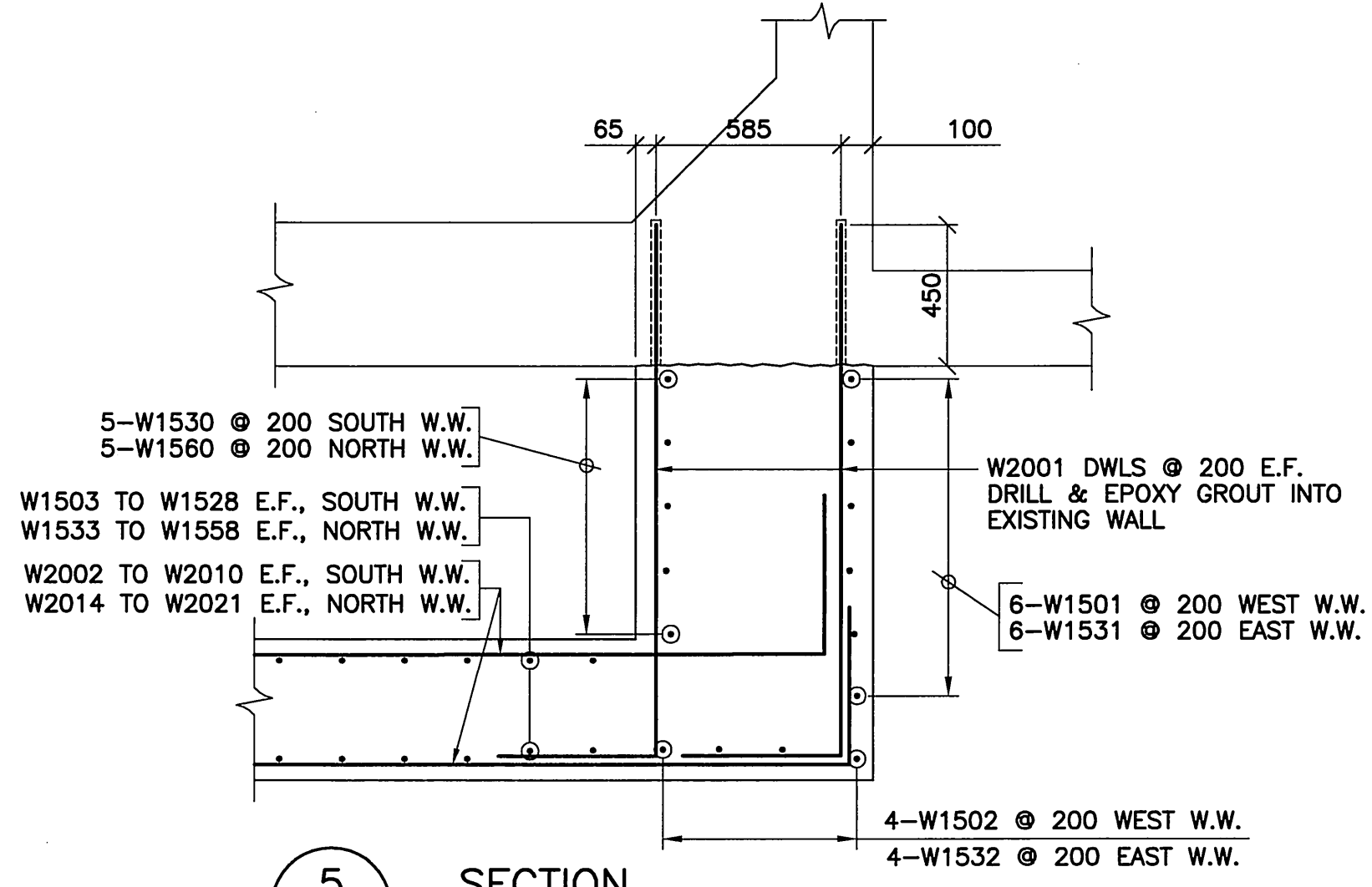
NOTE  
BARS NOT CALLED UP HERE  
REMAIN SAME AS SECTION 5



6 SECTION  
12 13 1 : 20

7 SECTION  
12 13 1 : 20

NOTE  
GROUT FOR ALL BARS DRILLED AND  
GROUTED INTO EXISTING STRUCTURE  
SHALL BE HILTI HIT HY150



5 SECTION  
1 : 20  
TYP AT EACH SIDE



B.M. ELEV.	F.B.	<b>WARDROP</b> Engineering Inc.			<b>THE CITY OF WINNIPEG</b> PUBLIC WORKS DEPARTMENT TRANSPORTATION ENGINEERING DIVISION	<b>FORT GARRY TWIN BRIDGES</b> WESTBOUND STRUCTURE REHABILITATION AND ASSOCIATED ROADWORKS	CITY DRAWING NUMBER B173-08-013W
DESIGNED BY E.F.S.	CHECKED BY	DRAWN BY P.S.	APPROVED BY				SHEET 13 OF 54
HOR. SCALE: AS NOTED	ACCEPTED BY DATE	VERTICAL: AS NOTED	DATE 08.02.05				CONSULTANT DRAWING NO. 0600070700-DWG-S1113-00
00 ISSUED FOR TENDER	08.02.05	DATE 08.02.05	BY				WEST ABUTMENT REINFORCING DETAILS 2