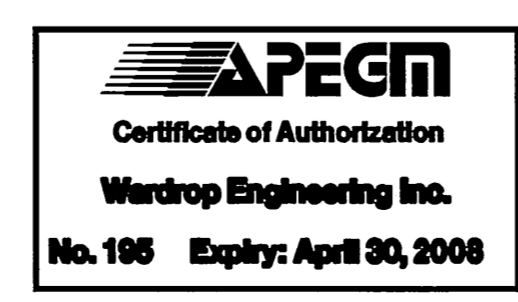
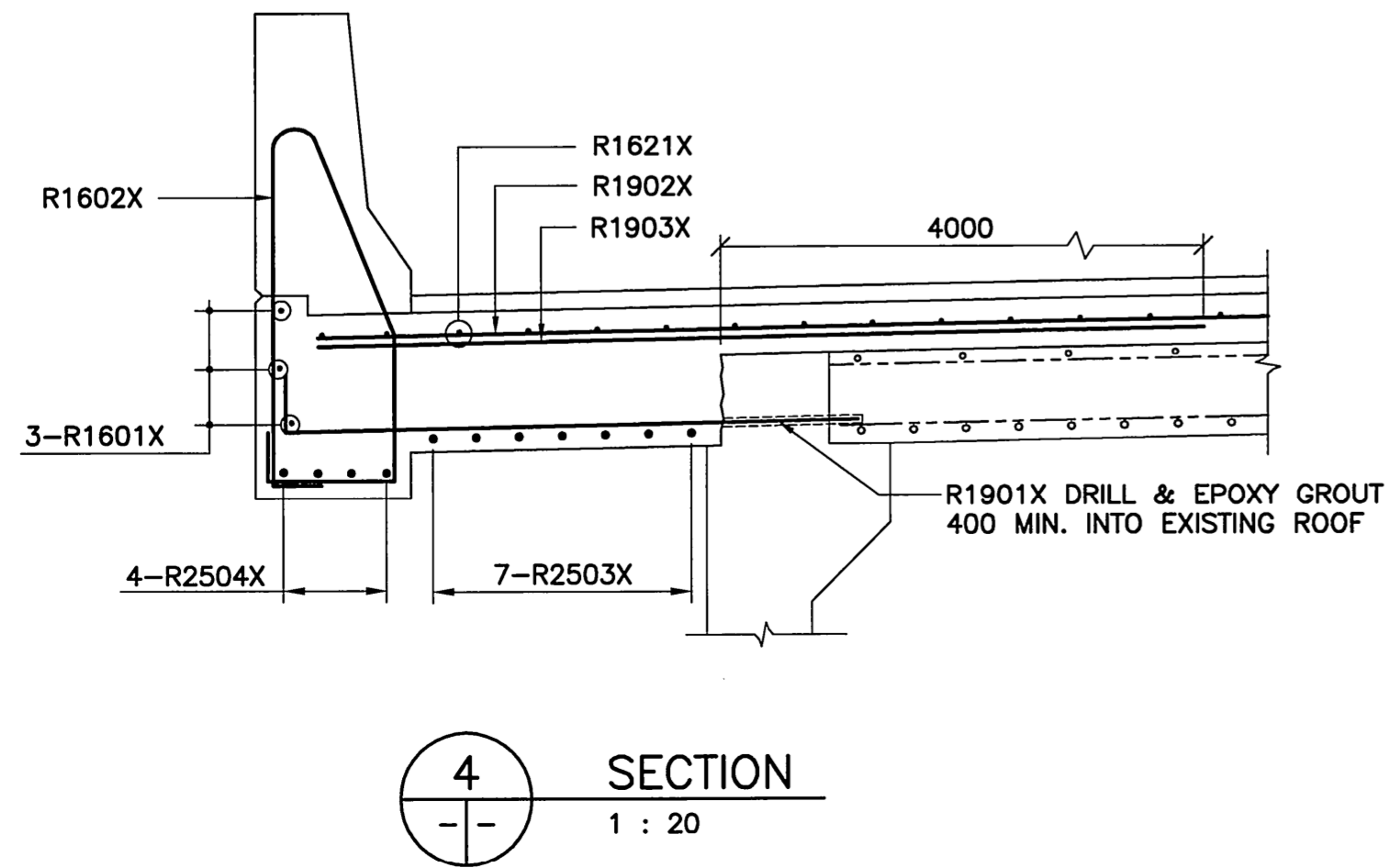


**NOTE**  
DRILL HOLE SIZES  
SHOWN IN TABLE

BAR DIAMETER	HOLE DIAMETER
16	20
19	24
25	30



B.M. ELEV.	F.B.	<b>WARDROP</b> Engineering Inc.			<p><b>THE CITY OF WINNIPEG</b> PUBLIC WORKS DEPARTMENT TRANSPORTATION ENGINEERING DIVISION</p>	<p><b>FORT GARRY TWIN BRIDGES</b> WESTBOUND STRUCTURE REHABILITATION AND ASSOCIATED ROADWORKS</p>	CITY DRAWING NUMBER <b>B173-08-018W</b>
DESIGNED BY E.F.S.	CHECKED BY	DRAWN BY P.S./C.L.	APPROVED BY				SHEET 18 OF 54
HOR. SCALE: AS NOTED	ACCEPTED BY	DATE	DATE				EAST ABUTMENT REINFORCING DETAILS 1
00 ISSUED FOR TENDER	08.02.05	08.02.05	08.02.05				CONSULTANT DRAWING NO. 0600070700-DWG-S1118-00