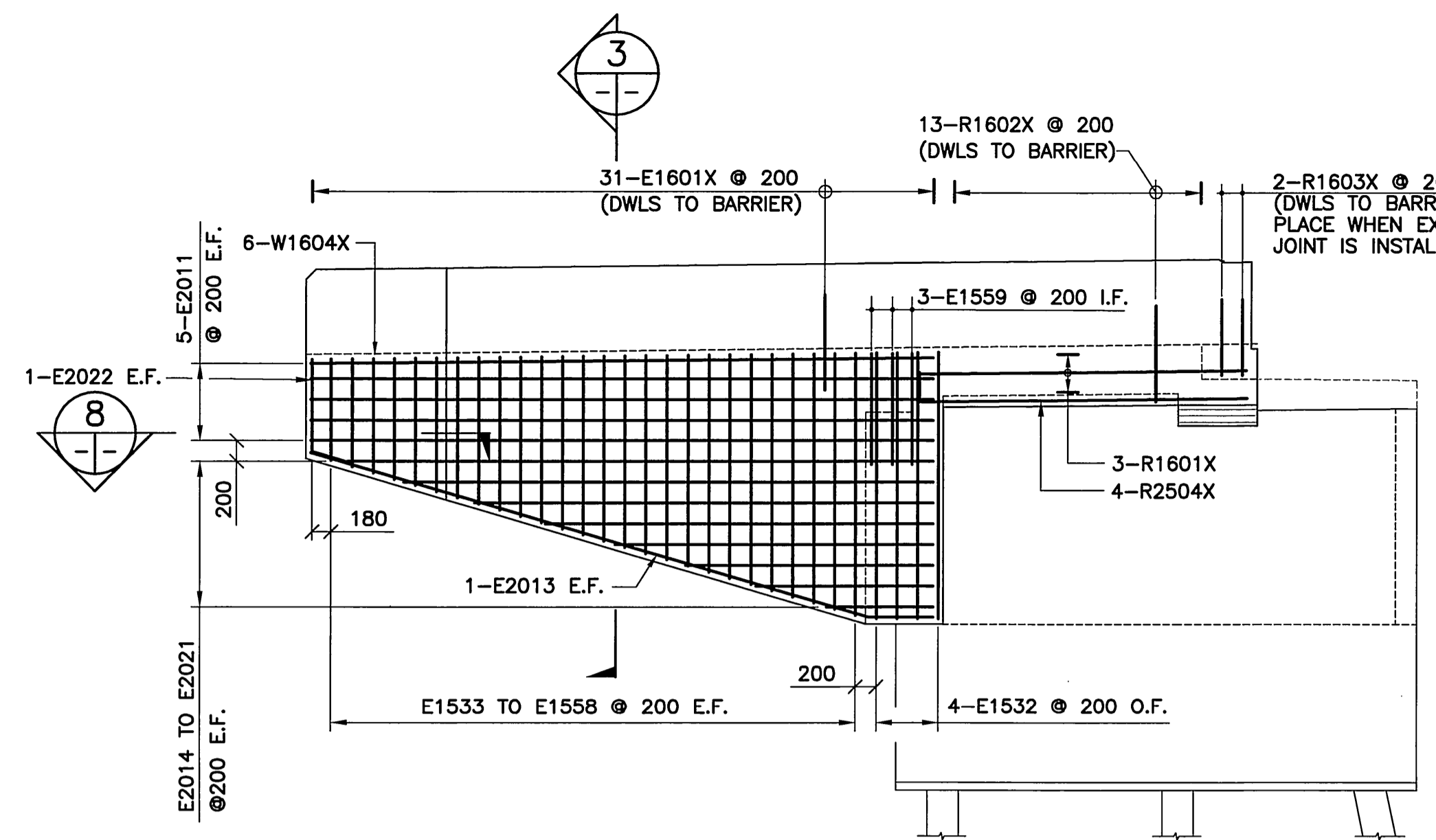
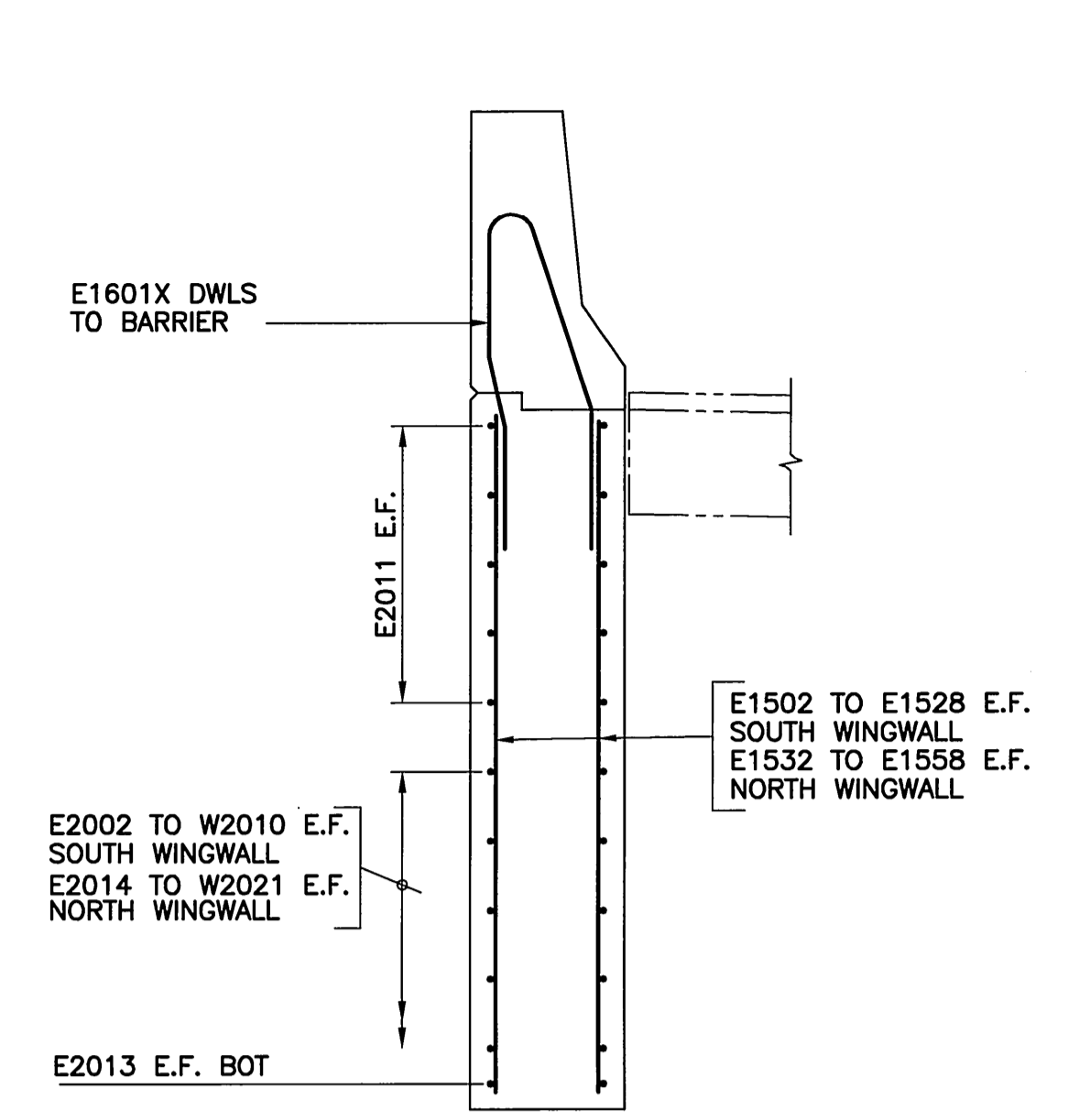


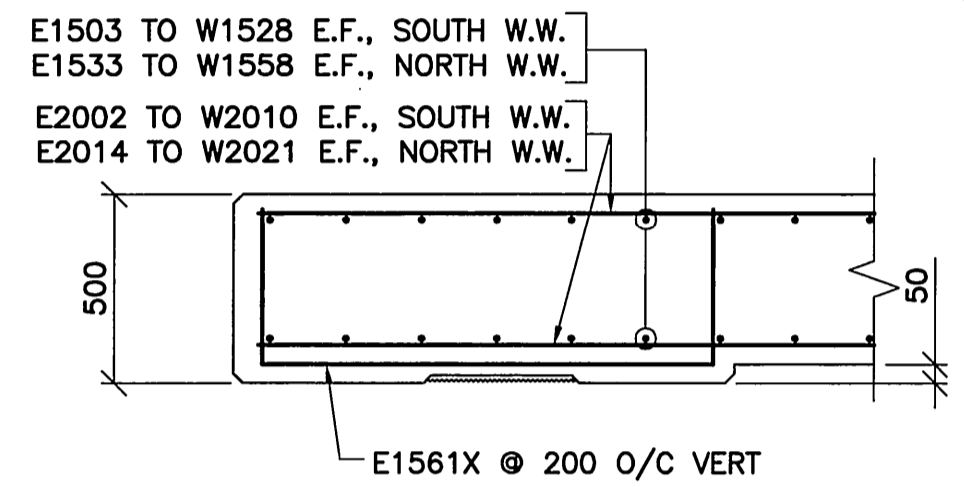
1 SOUTH WINGWALL ELEVATION
18 19 1 : 50



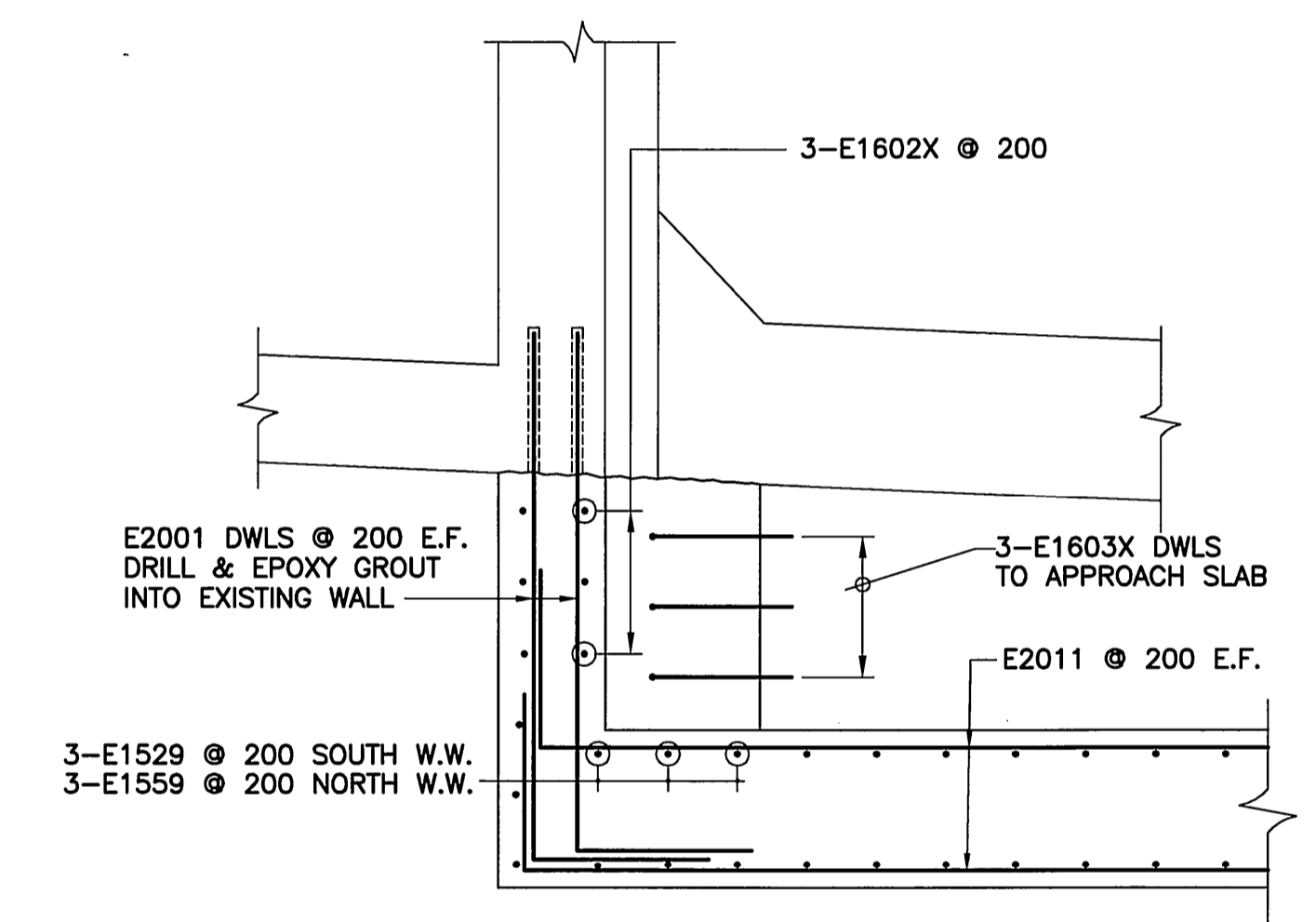
2 NORTH WINGWALL ELEVATION
18 19 1 : 50



3 SECTION
1 : 20

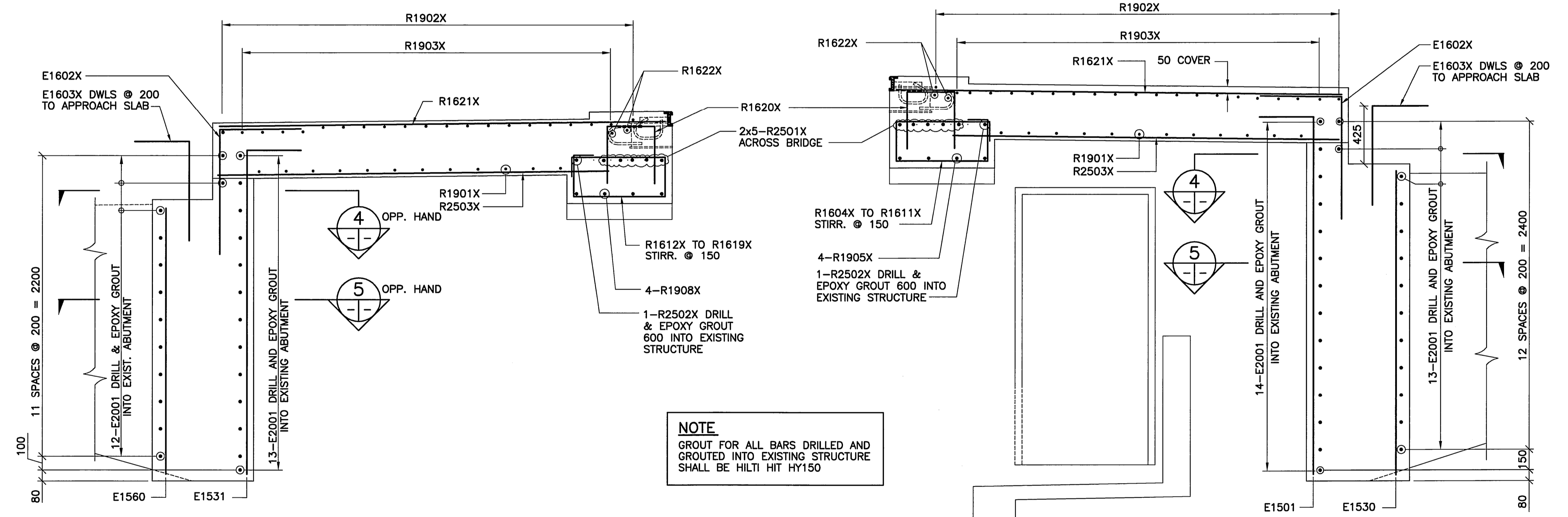


8 SECTION
1 : 20



4 SECTION
1 : 20
TYP AT EACH SIDE

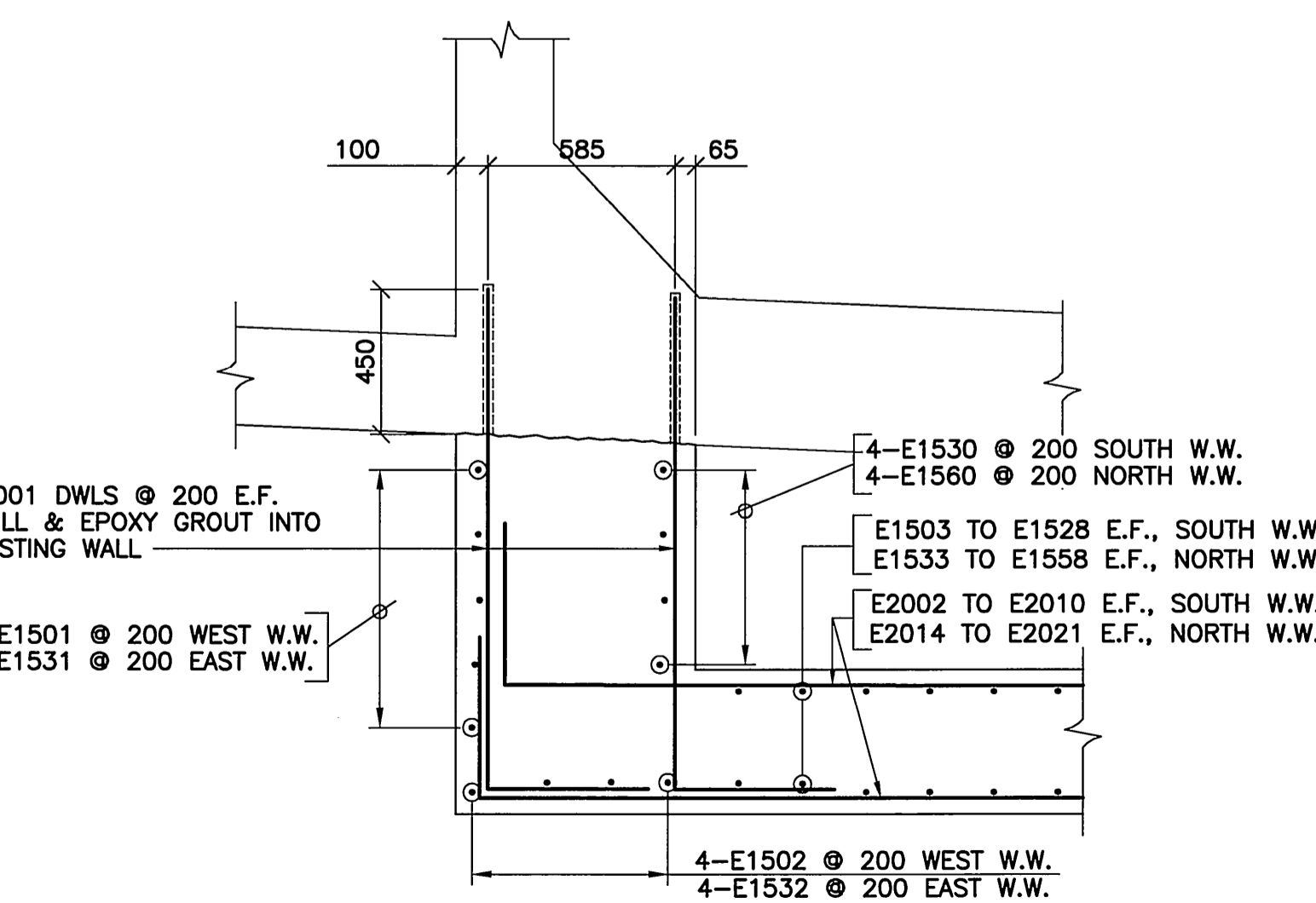
NOTE
BARS NOT CALLED UP HERE
REMAIN SAME AS SECTION 5



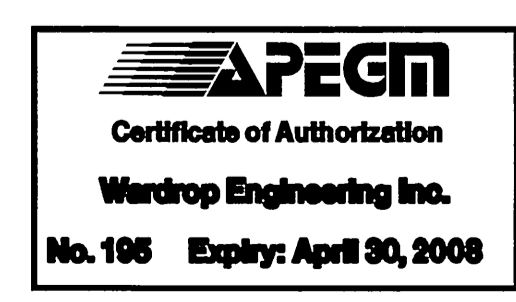
NOTE
GROUT FOR ALL BARS DRILLED AND GROUTED INTO EXISTING STRUCTURE SHALL BE HILTI HIT HY150

6 SECTION
18 19 1 : 20

7 SECTION
18 19 1 : 20



5 SECTION
1 : 20
TYP AT EACH SIDE



B.M. ELEV.	F.B.	WARDROP Engineering Inc.		THE CITY OF WINNIPEG PUBLIC WORKS DEPARTMENT TRANSPORTATION ENGINEERING DIVISION	CITY DRAWING NUMBER B173-08-019W SHEET 19 OF 54
00 ISSUED FOR TENDER	08.02.05				
NO. REVISIONS	DATE	BY	DATE	08.02.05	