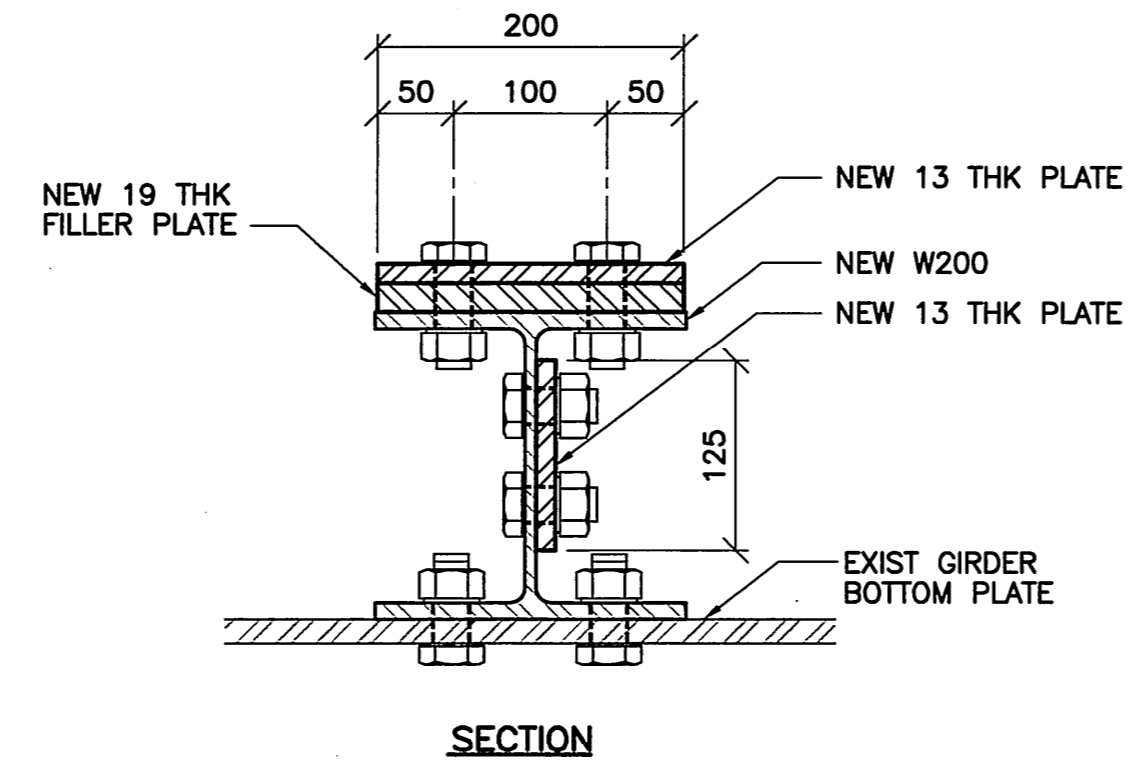
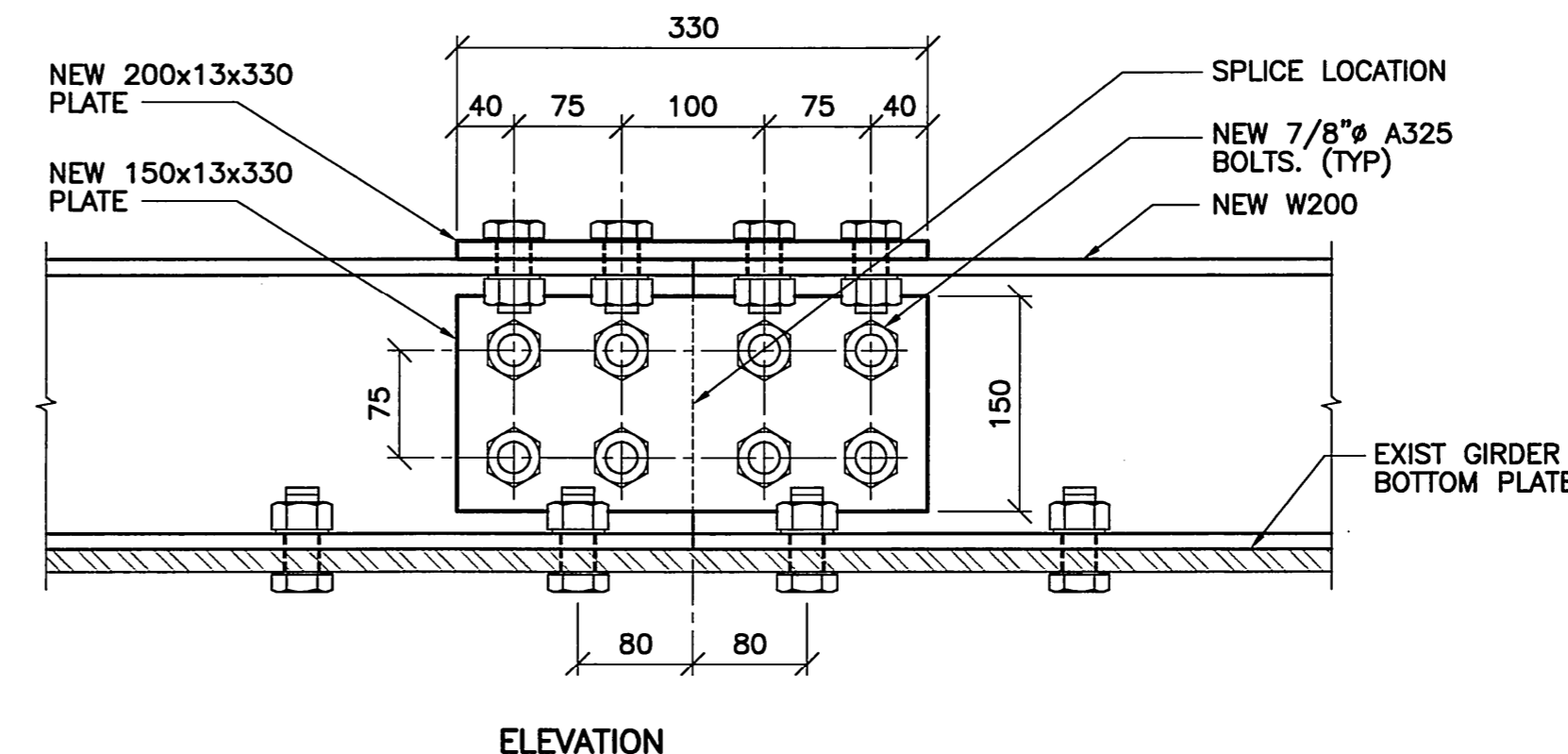


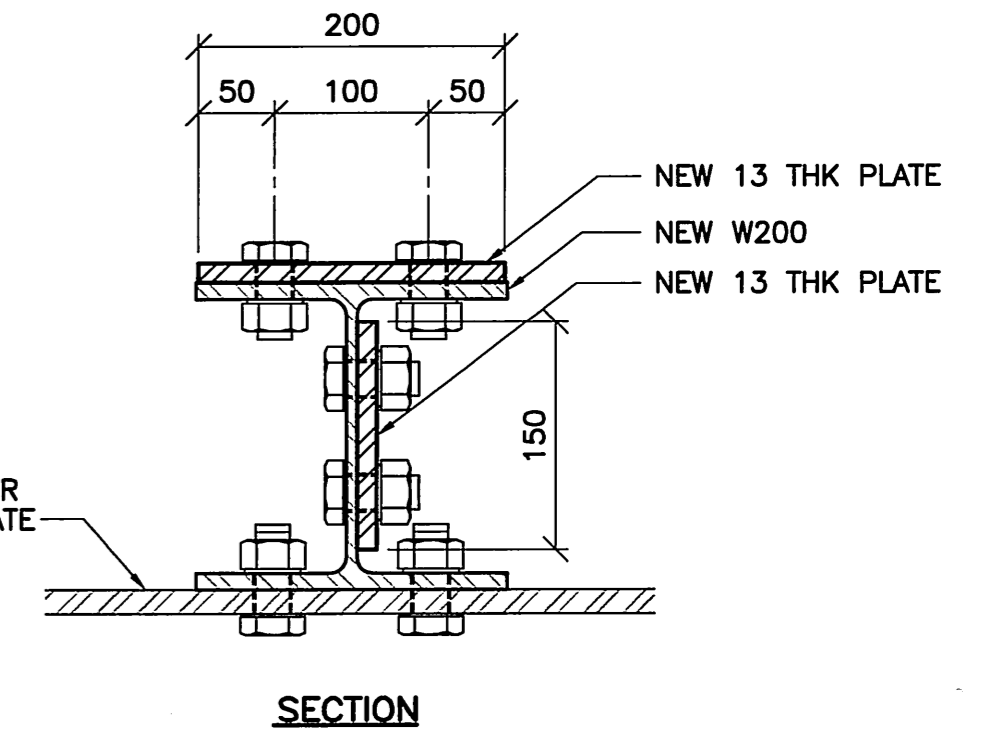
1 NEW W200 SPLICE DETAIL (TYPE A)  
22,23 24 1 : 5



SECTION

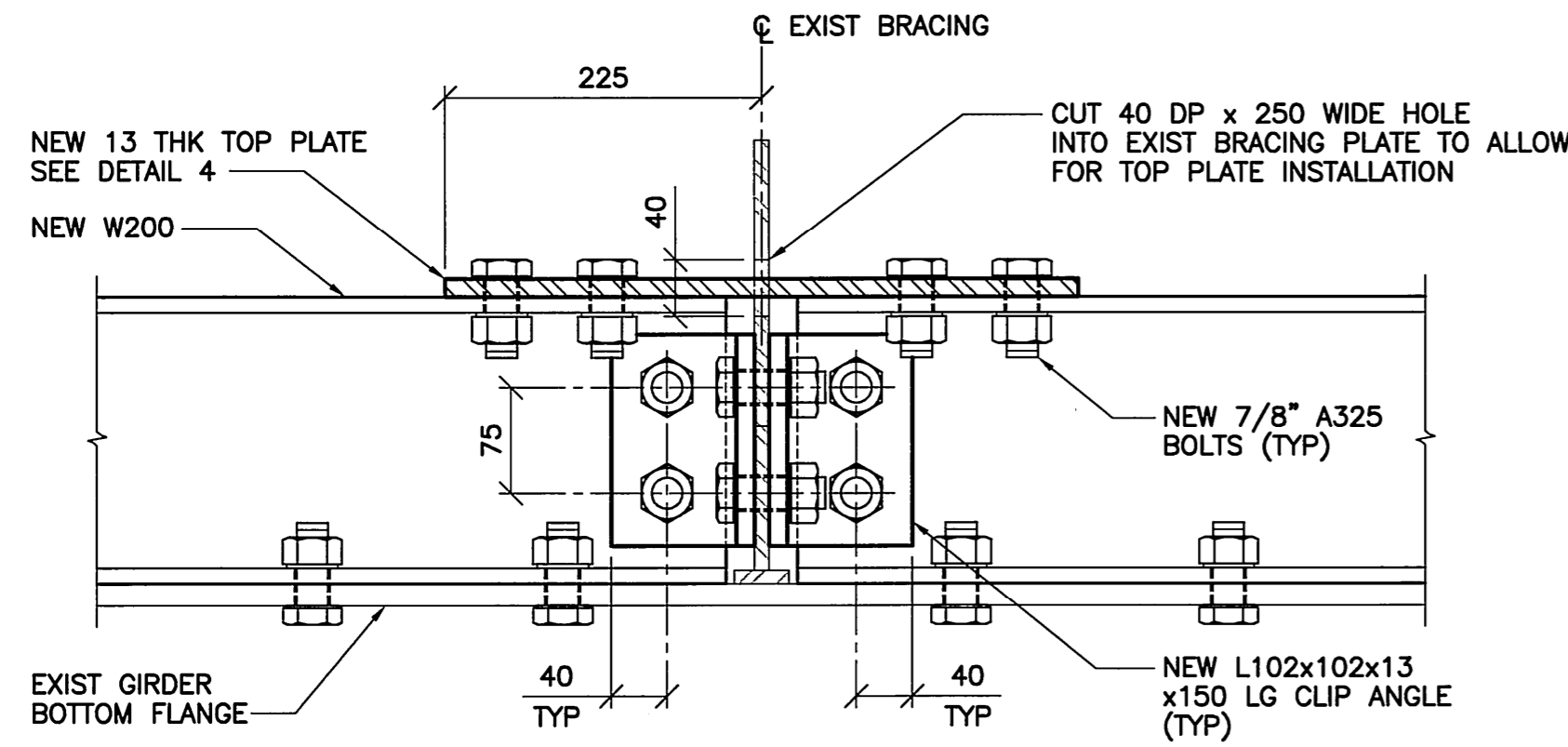


ELEVATION

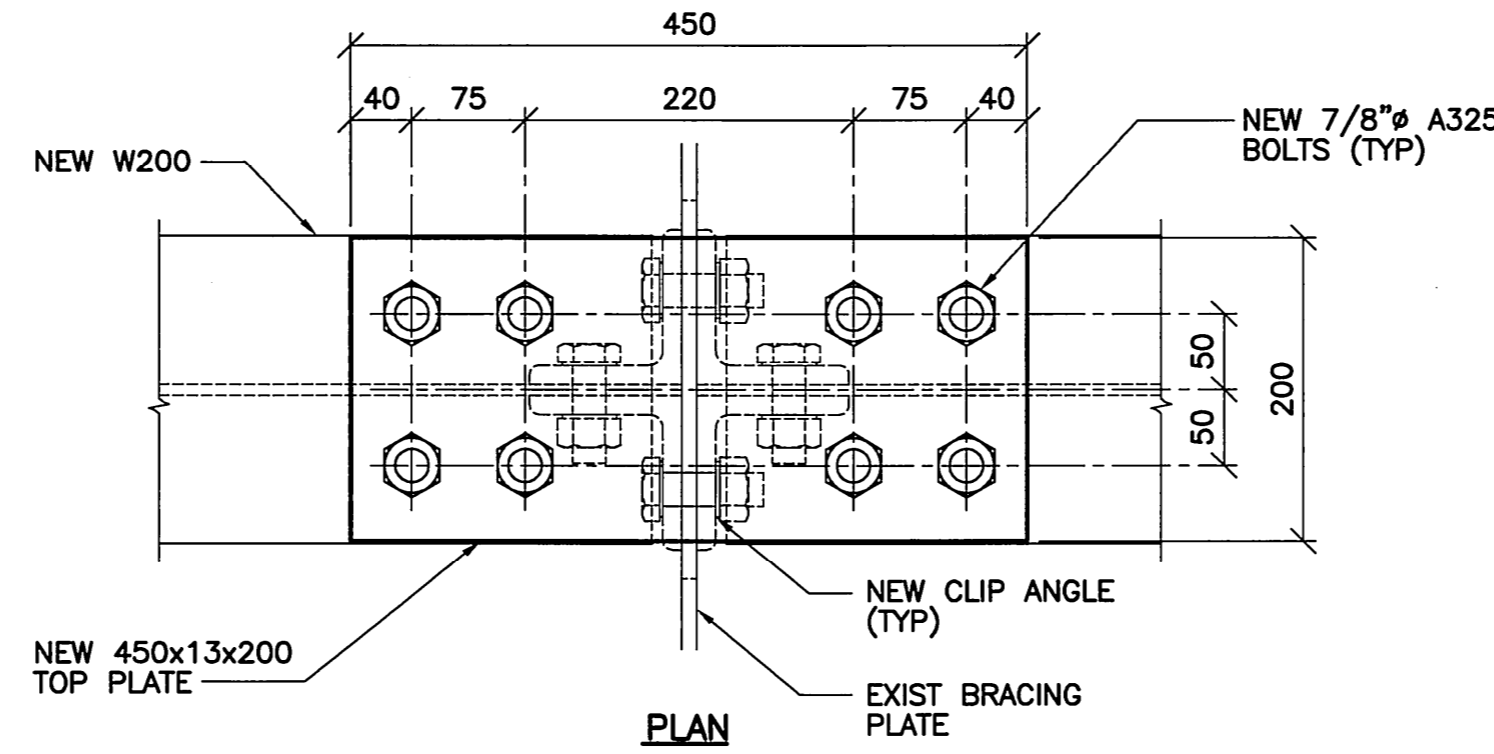


SECTION

2 NEW W200 SPLICE DETAIL (TYPE B)  
22 24 1 : 5

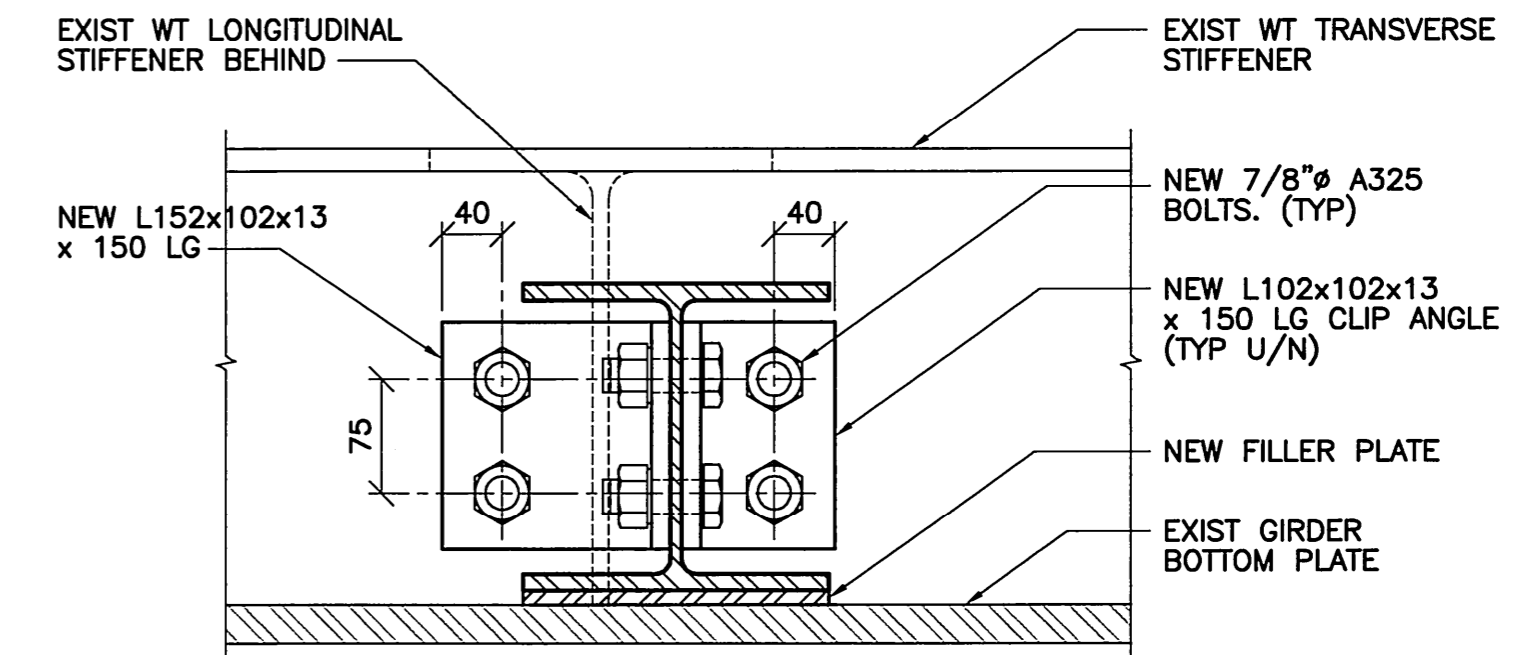


3 SECTION  
22 24 1 : 5

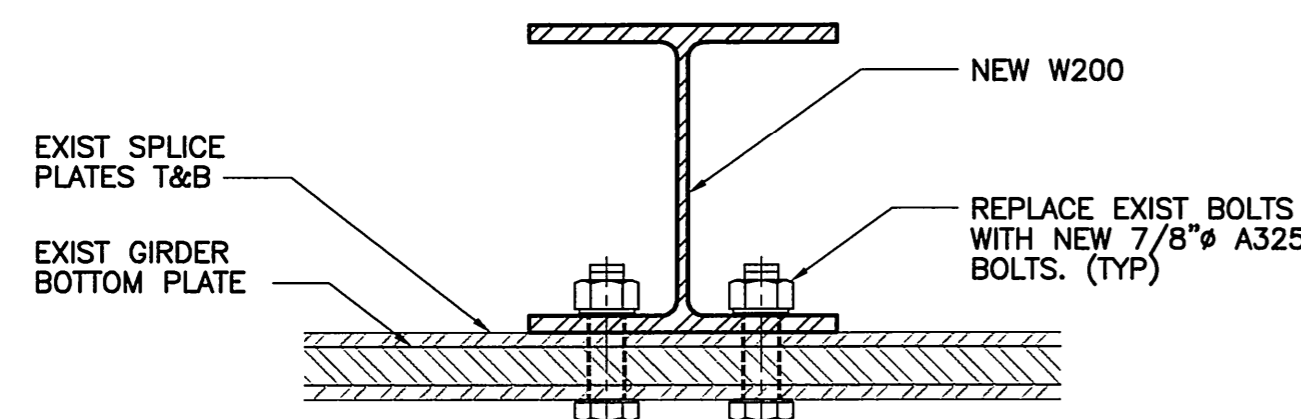


PLAN

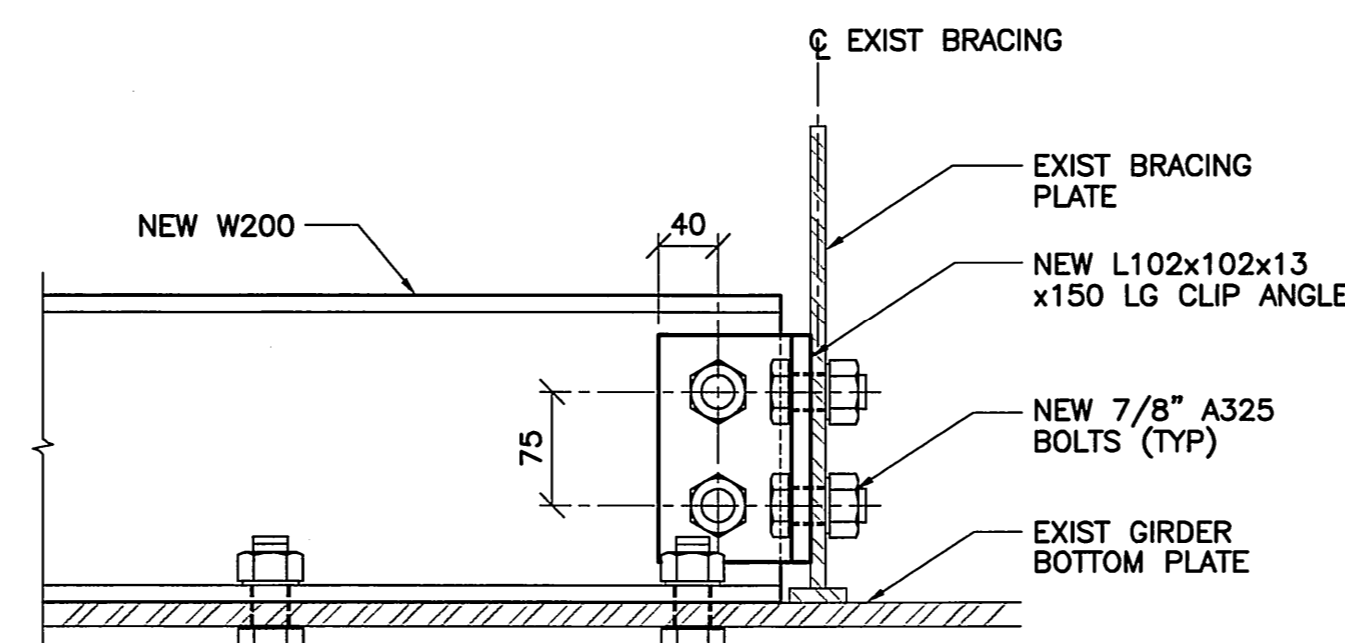
4 TOP PLATE DETAIL  
1 : 5



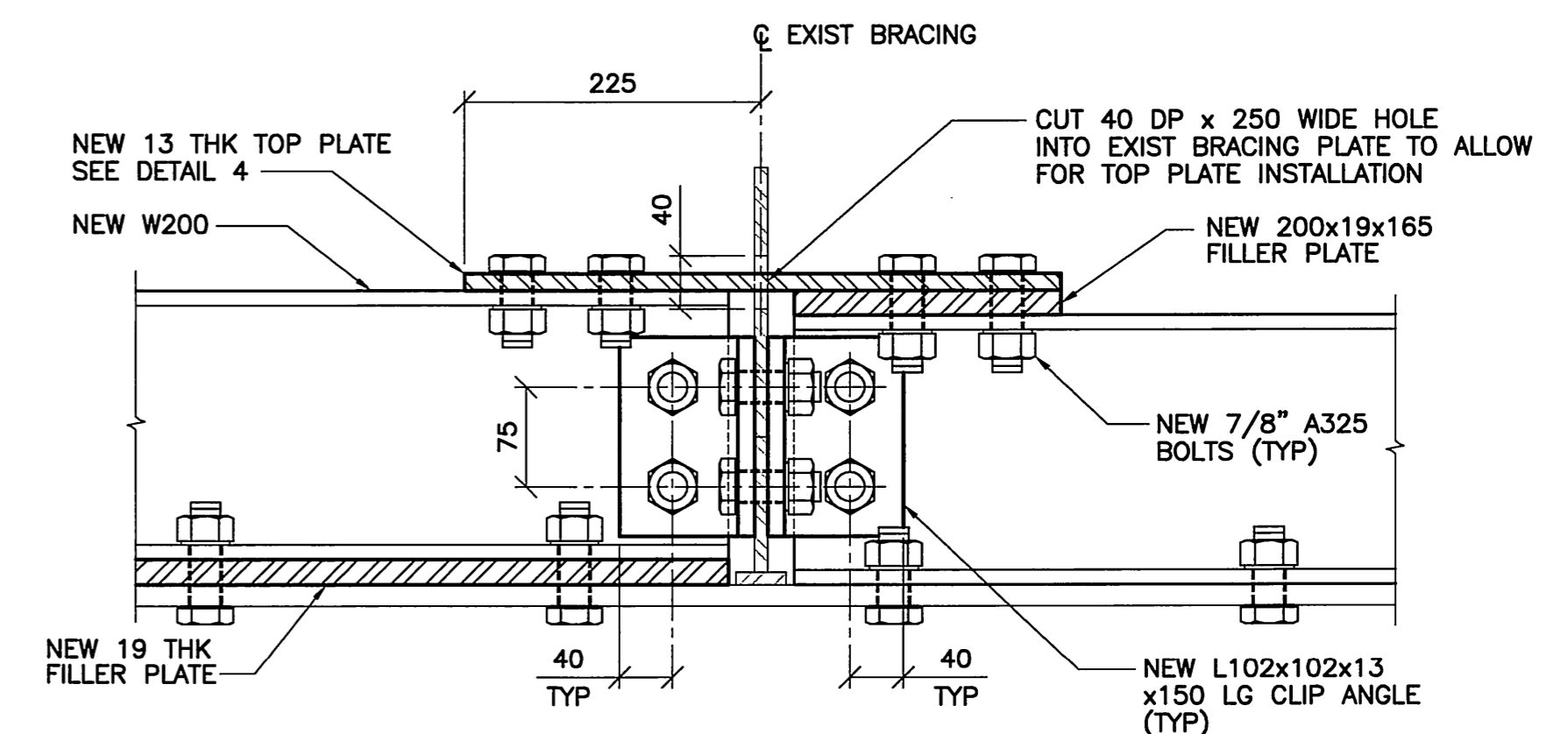
5 SECTION  
22,23 24 1 : 5



6 SECTION AT EXIST SPLICE  
22,23 24 1 : 5



7 DETAIL  
23 24 1 : 5



8 SECTION  
23 24 1 : 5

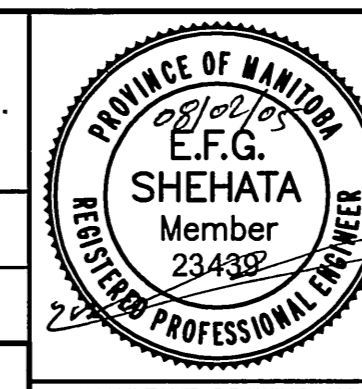


| B.M. ELEV.           | F.B.     |
|----------------------|----------|
|                      |          |
|                      |          |
|                      |          |
|                      |          |
|                      |          |
|                      |          |
| 00 ISSUED FOR TENDER | 08.02.05 |
| NO. REVISIONS        | DATE BY  |

**WARDROP Engineering Inc.**

|                          |   |
|--------------------------|---|
| DESIGNED BY: E.F.S./K.Y. | CHECKED BY:                             |
| DRAWN BY: G.I.           | APPROVED BY:                            |
| HOR. SCALE: AS NOTED     | ACCEPTED BY: [Signature] DATE: 08-02-05 |
| VERTICAL:                | DATE: 08.02.05                          |

CONSULTANT DRAWING NO. 0600070700-DWG-S1124-00



**THE CITY OF WINNIPEG**  
PUBLIC WORKS DEPARTMENT  
TRANSPORTATION ENGINEERING DIVISION

**Winnipeg**

**FORT GARRY TWIN BRIDGES**  
WESTBOUND STRUCTURE REHABILITATION  
AND ASSOCIATED ROADWORKS

**GIRDER BOTTOM FLANGE STRENGTHENING SECTIONS AND DETAILS**

CITY DRAWING NUMBER: B173-08-024W  
SHEET 24 OF 54

24