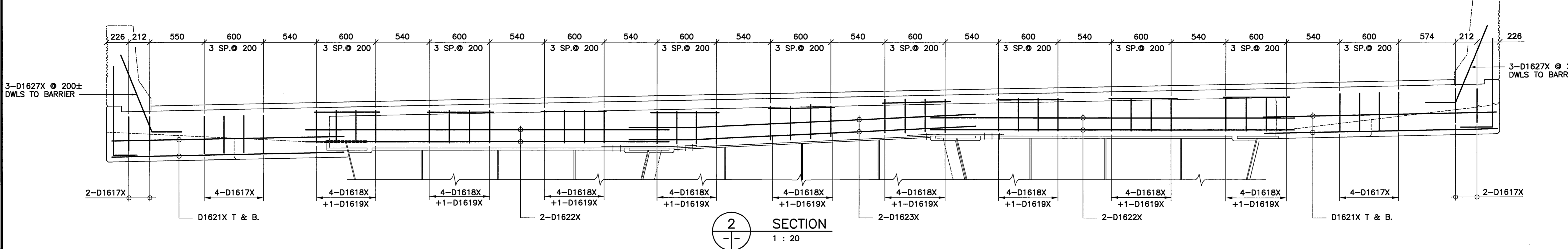
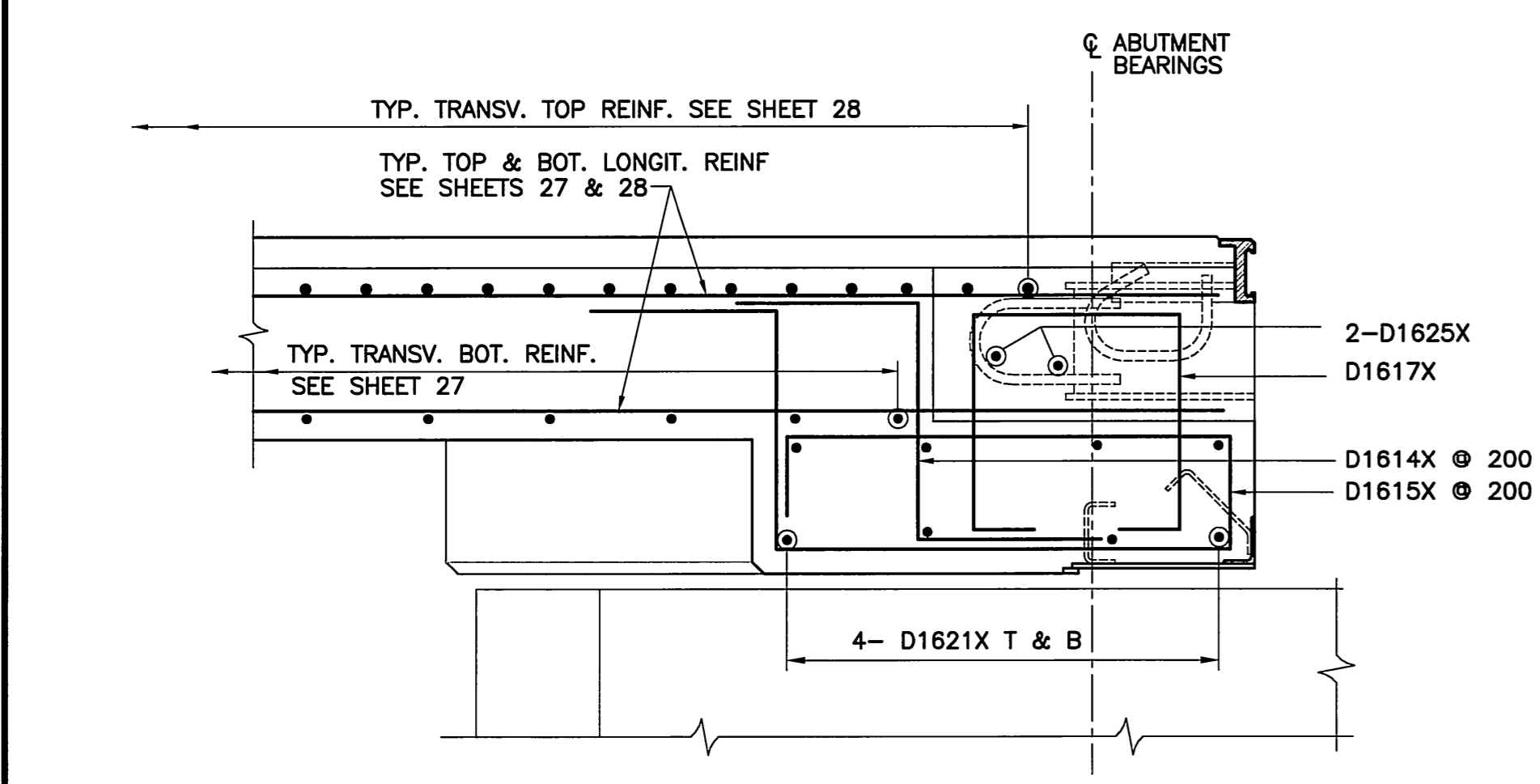


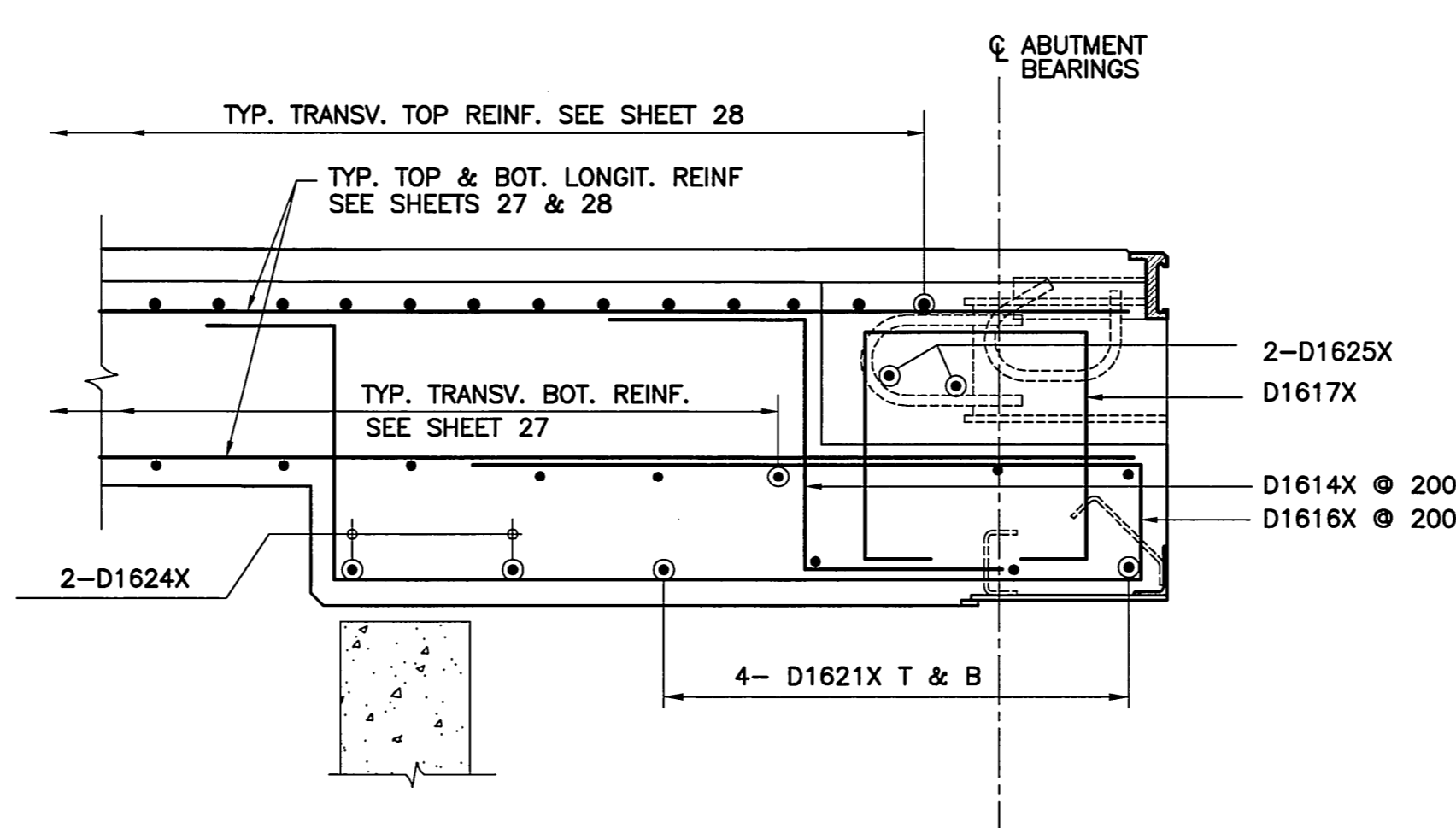
1 PARTIAL DECK PLAN AT ABUTMENT
1 : 20



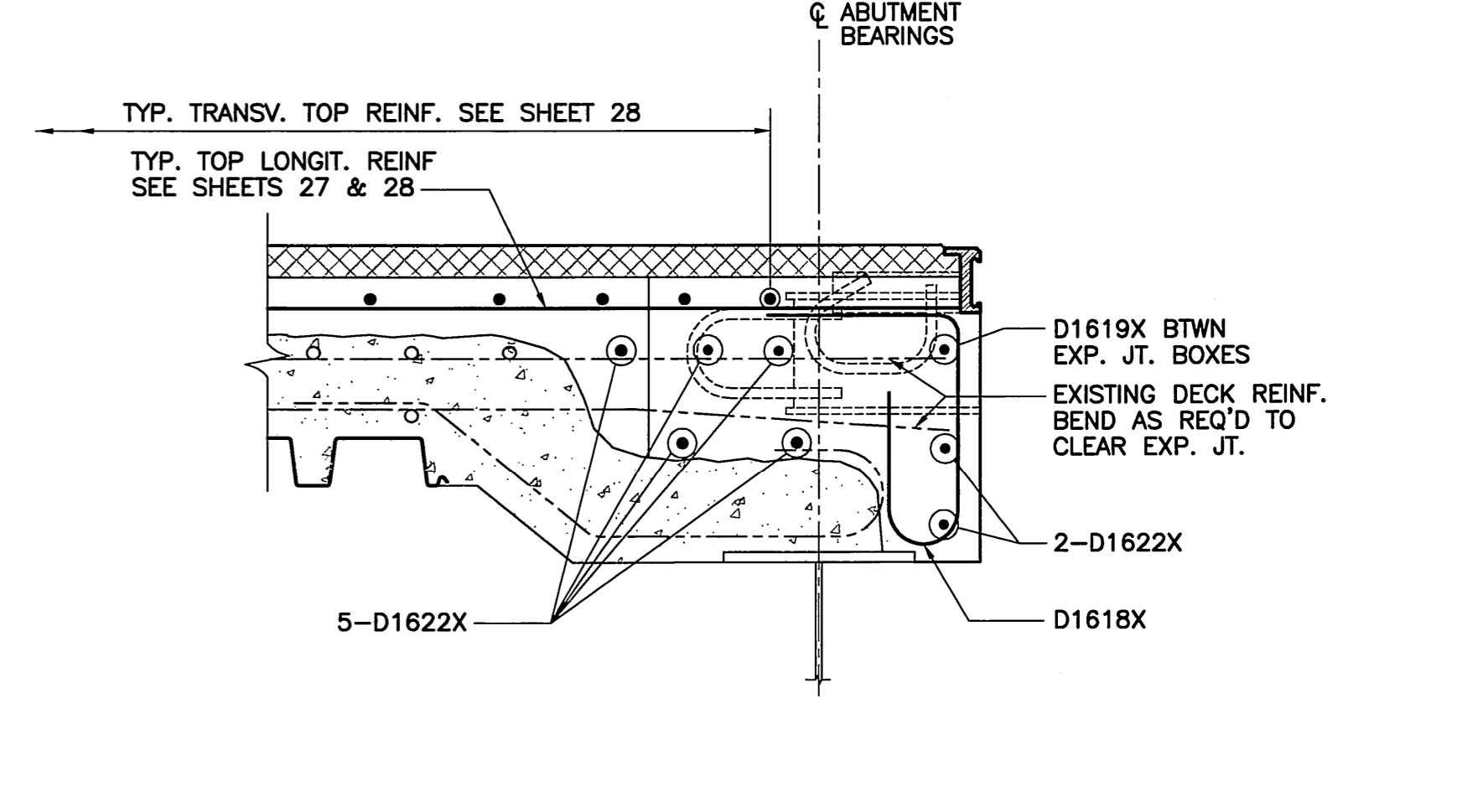
2 SECTION
1 : 20



3 SECTION
1 : 10



4 SECTION
1 : 10



5 SECTION
1 : 10



B.M. ELEV.	F.B.

WARDROP Engineering Inc.	
DESIGNED BY E.F.S.	CHECKED BY
DRAWN BY P.S.	APPROVED BY
HOR. SCALE: AS NOTED	ACCEPTED BY DATE
VERTICAL: AS NOTED	DATE 08.02.05



THE CITY OF WINNIPEG PUBLIC WORKS DEPARTMENT TRANSPORTATION ENGINEERING DIVISION	
Fort Garry Twin Bridges WESTBOUND STRUCTURE REHABILITATION AND ASSOCIATED ROADWORKS	
CITY DRAWING NUMBER B173-08-030W	SHEET 30 OF 54
BRIDGE DECK - REINFORCING DETAILS 4	
CONSULTANT DRAWING NO. 0600070700-DWG-S1130-00	