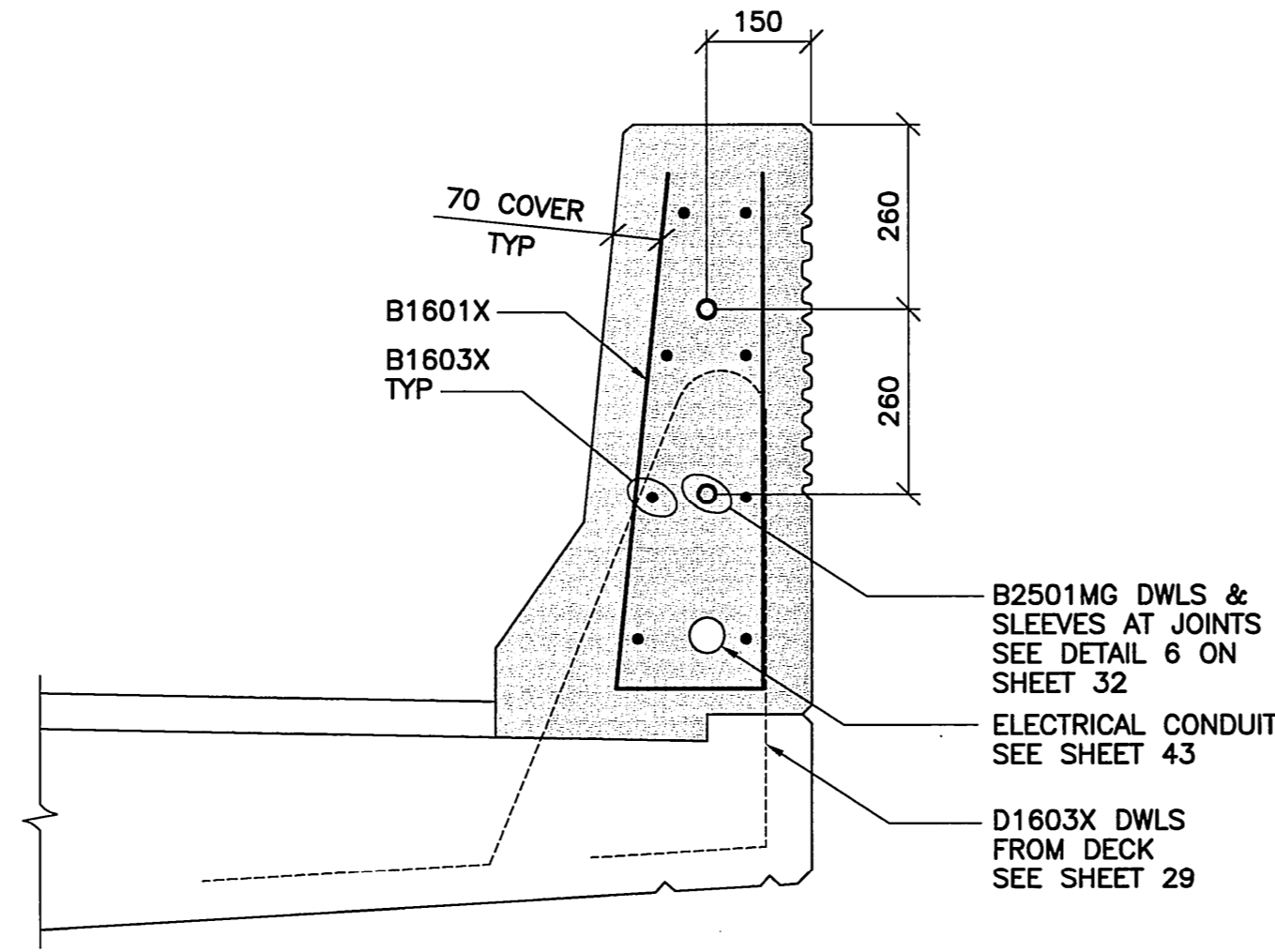
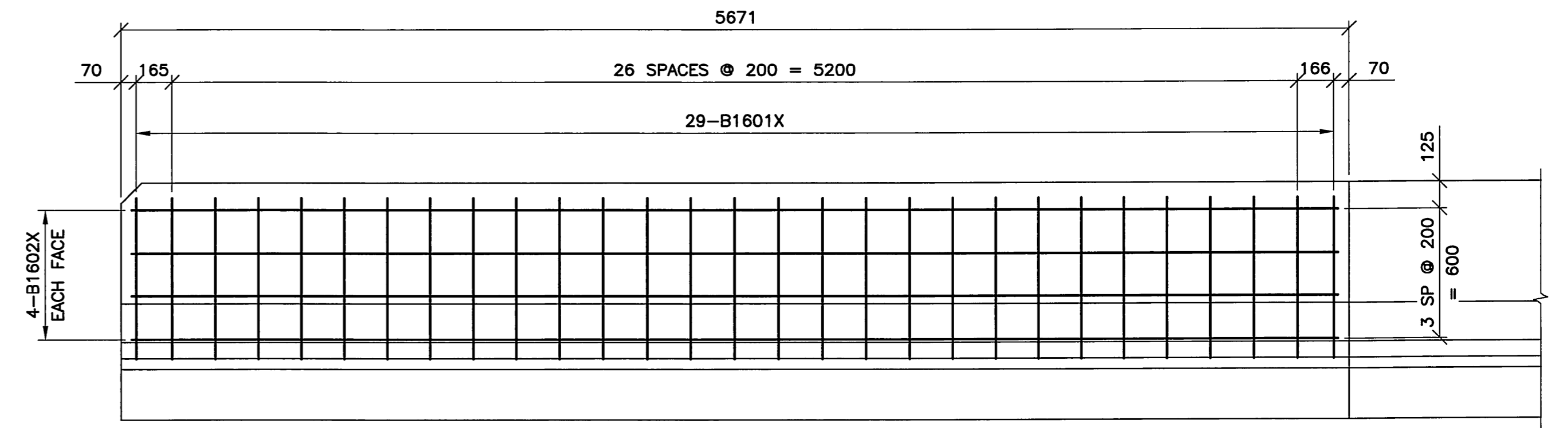


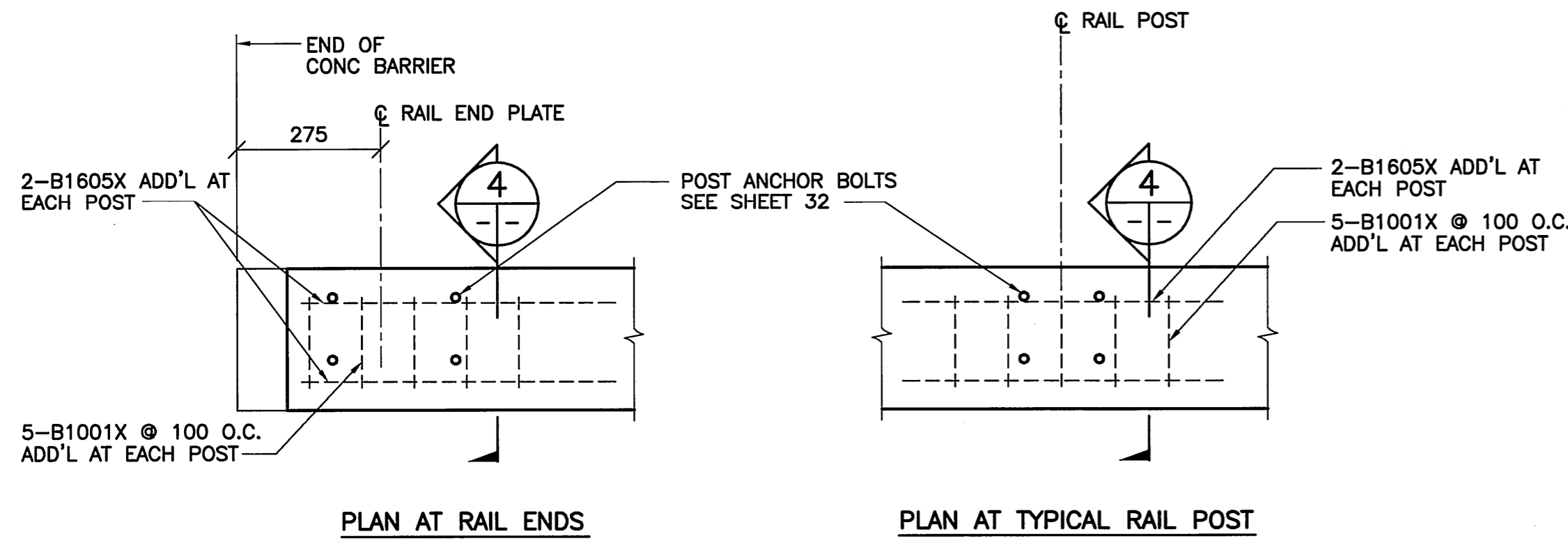
1 SOUTH BARRIER REINF
1 : 10



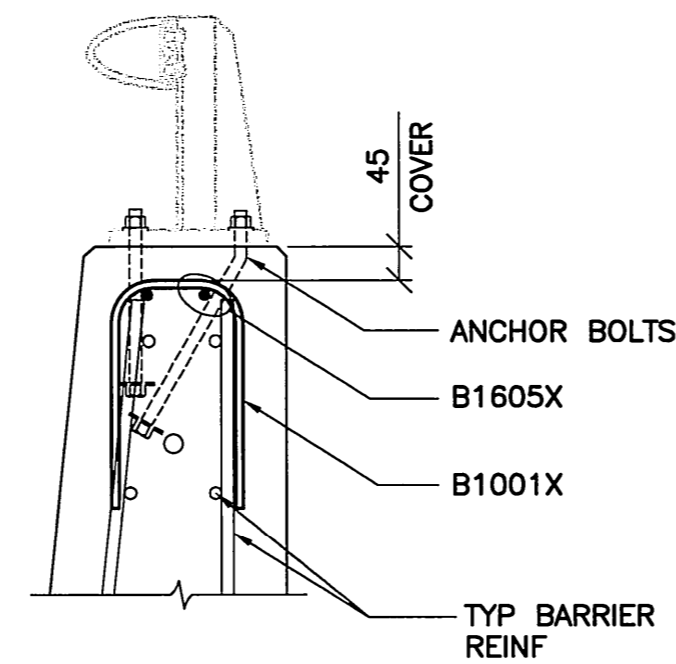
2 NORTH BARRIER REINF
1 : 10



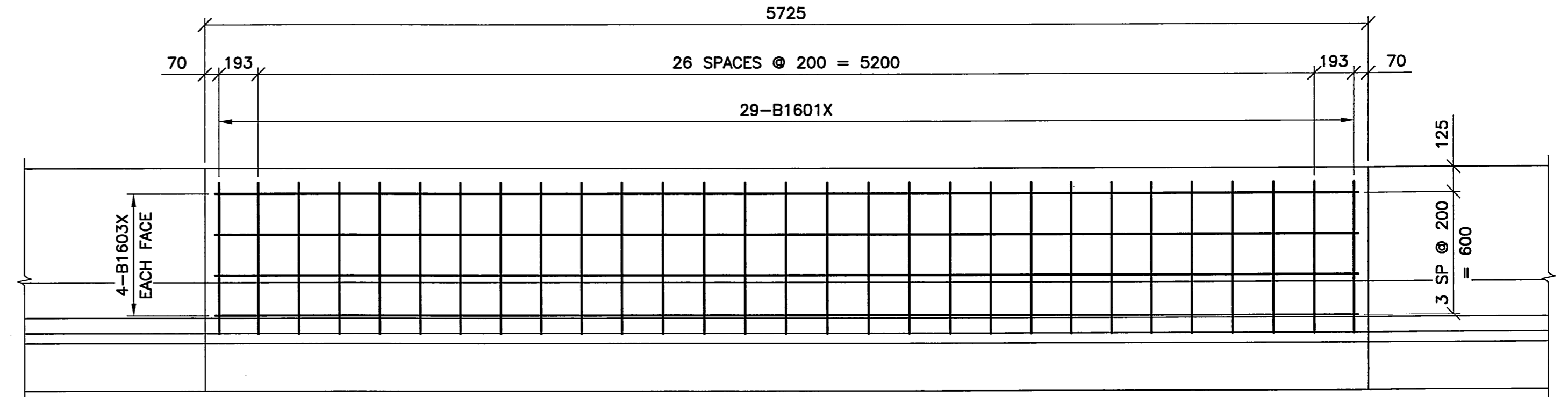
6 CONCRETE BARRIER REINF (5671 LG PANEL)
1 : 20
- 4 LOCATIONS AS SHOWN



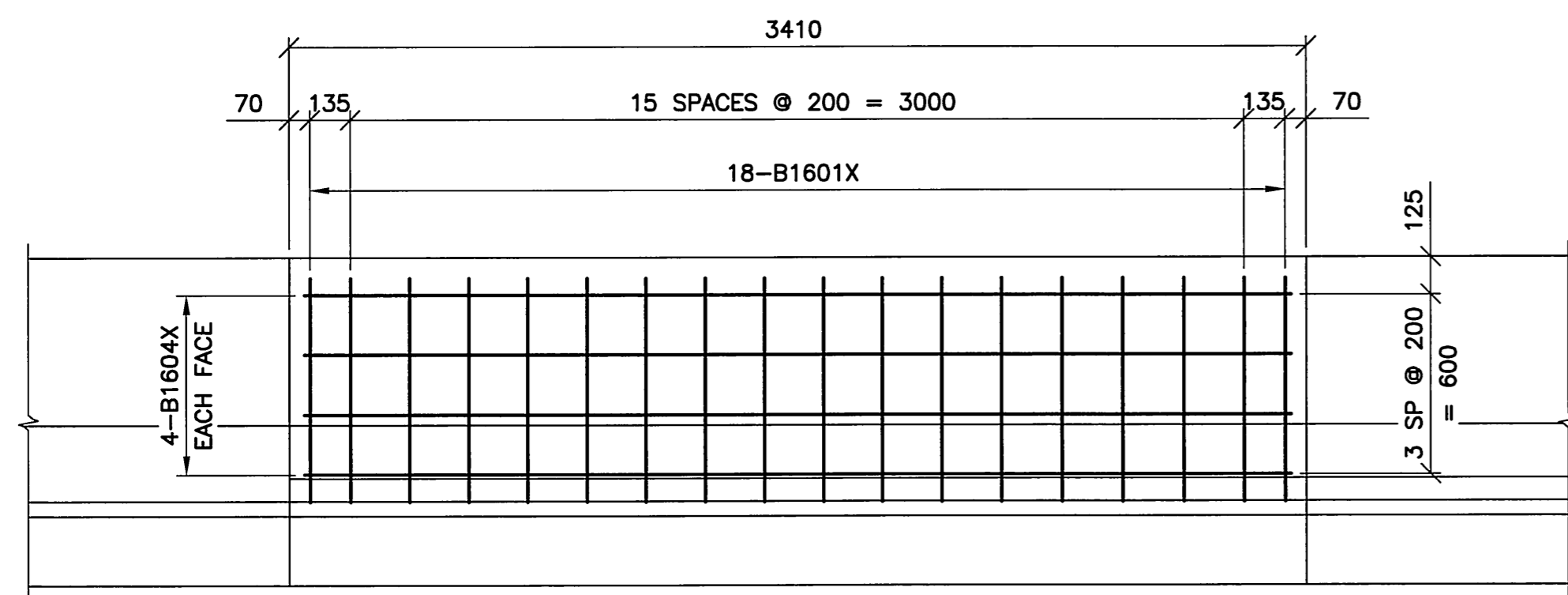
3 ADDITIONAL REINFORCING AT ALUMINUM RAIL POSTS
1 : 10



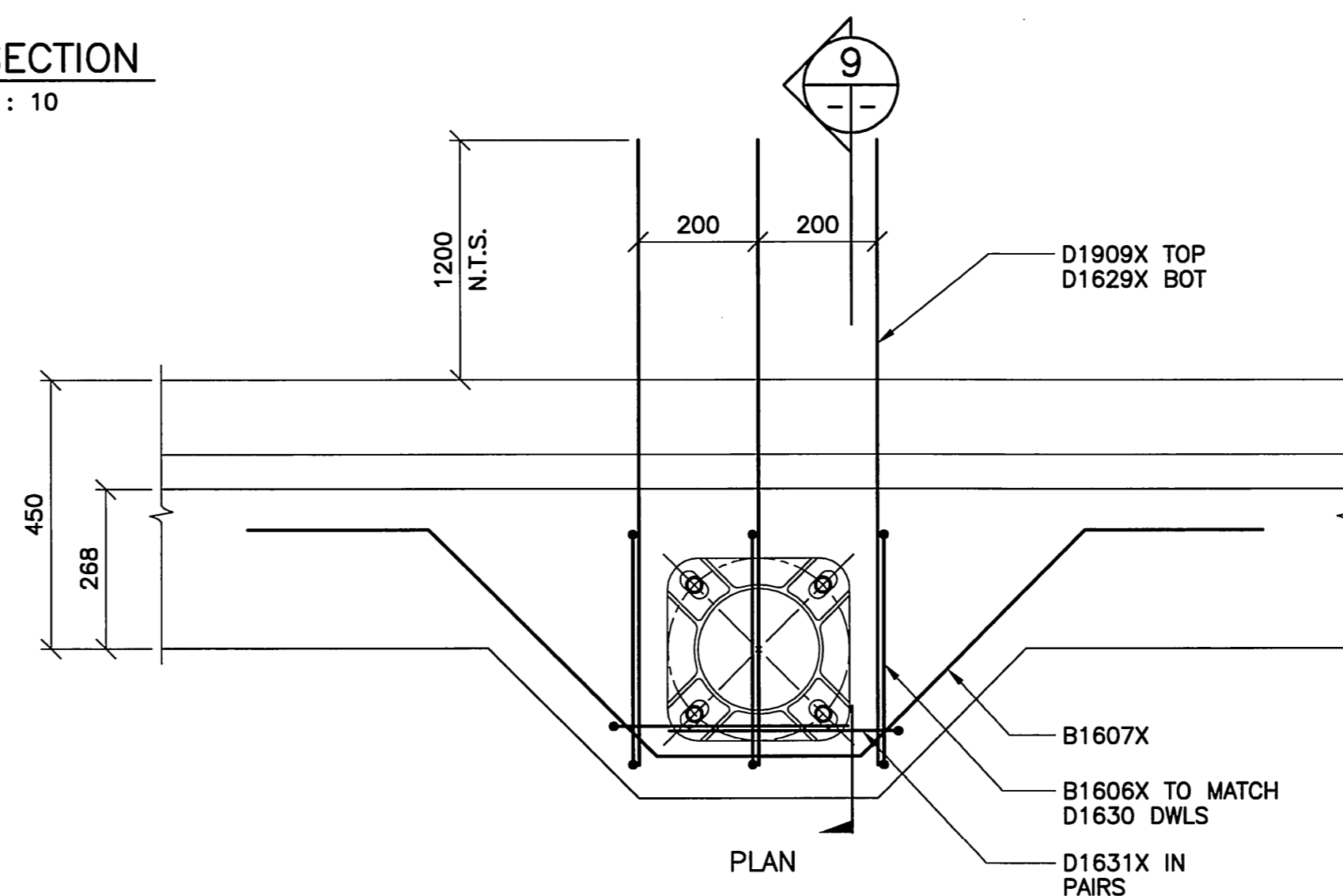
4 SECTION
1 : 10



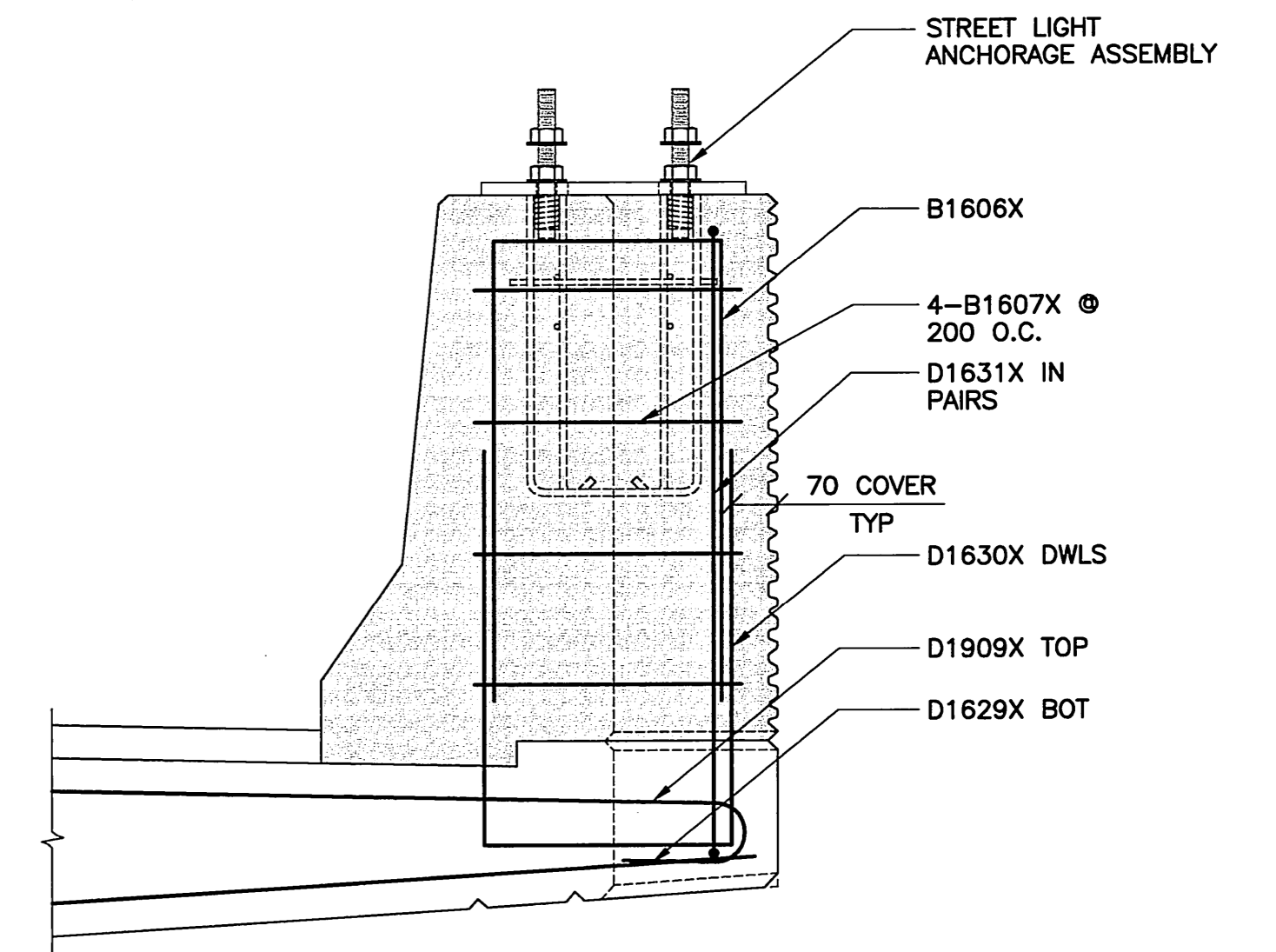
7 CONCRETE BARRIER REINF (5725 LG PANEL)
1 : 20
- 92 LOCATIONS AS SHOWN



5 CONCRETE BARRIER REINF (3410 LG PANEL)
1 : 20
- 8 LOCATIONS AS SHOWN



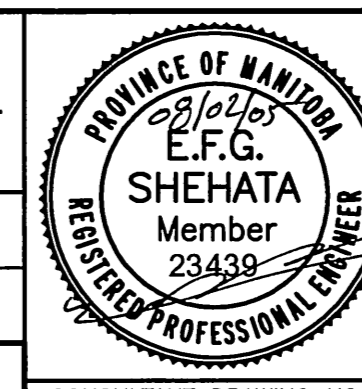
8 STREET LIGHT CONC BASE REINF
1 : 10



9 SECTION
1 : 10



B.M. ELEV.	F.B.	WARDROP Engineering Inc.	
		DESIGNED BY E.F.S.	CHECKED BY
		DRAWN BY P.S/G.I.	APPROVED BY
		HOR. SCALE: AS NOTED	ACCEPTED BY DATE
		VERTICAL:	08-02-05
00 ISSUED FOR TENDER	08.02.05	DATE	08.02.05
NO. REVISIONS	DATE	BY	DATE



THE CITY OF WINNIPEG
PUBLIC WORKS DEPARTMENT
TRANSPORTATION ENGINEERING DIVISION

Winnipeg

FORT GARRY TWIN BRIDGES
WESTBOUND STRUCTURE REHABILITATION
AND ASSOCIATED ROADWORKS

CITY DRAWING NUMBER
B173-08-033W
SHEET 33 OF 54

CONCRETE BARRIER & STREET LIGHT BASE
REINFORCING DETAILS

33