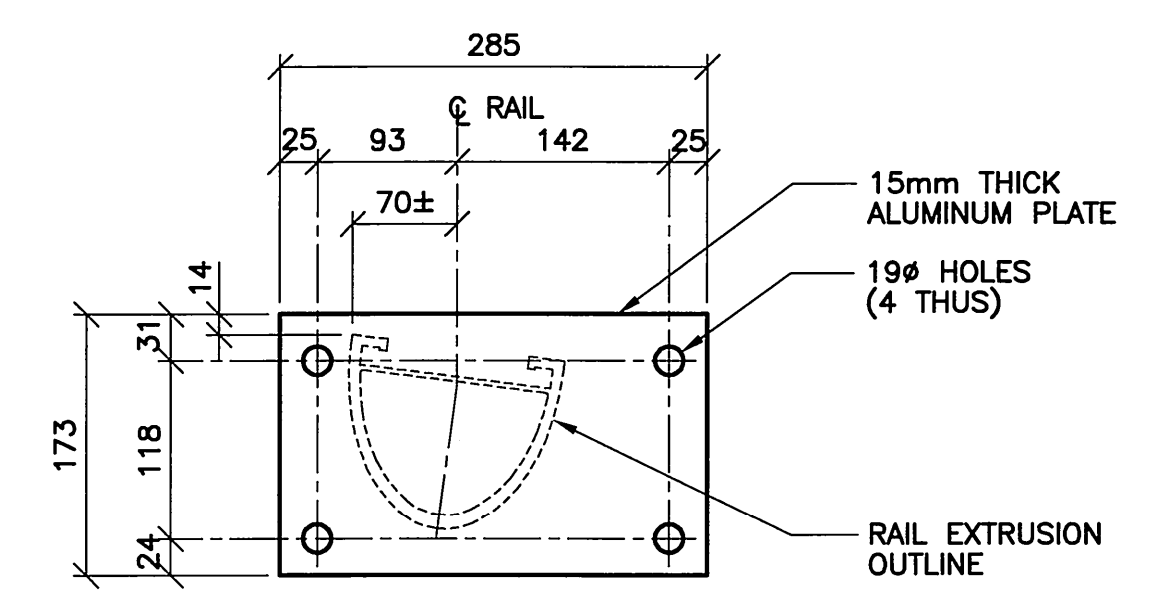
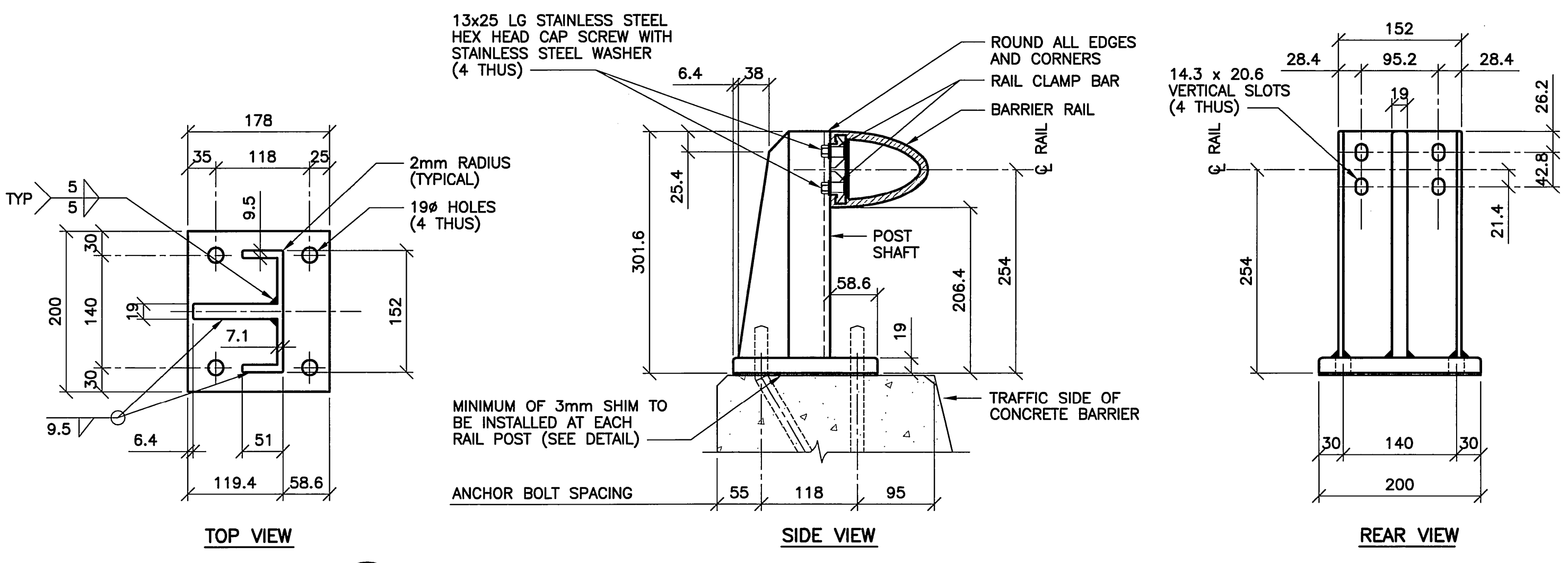


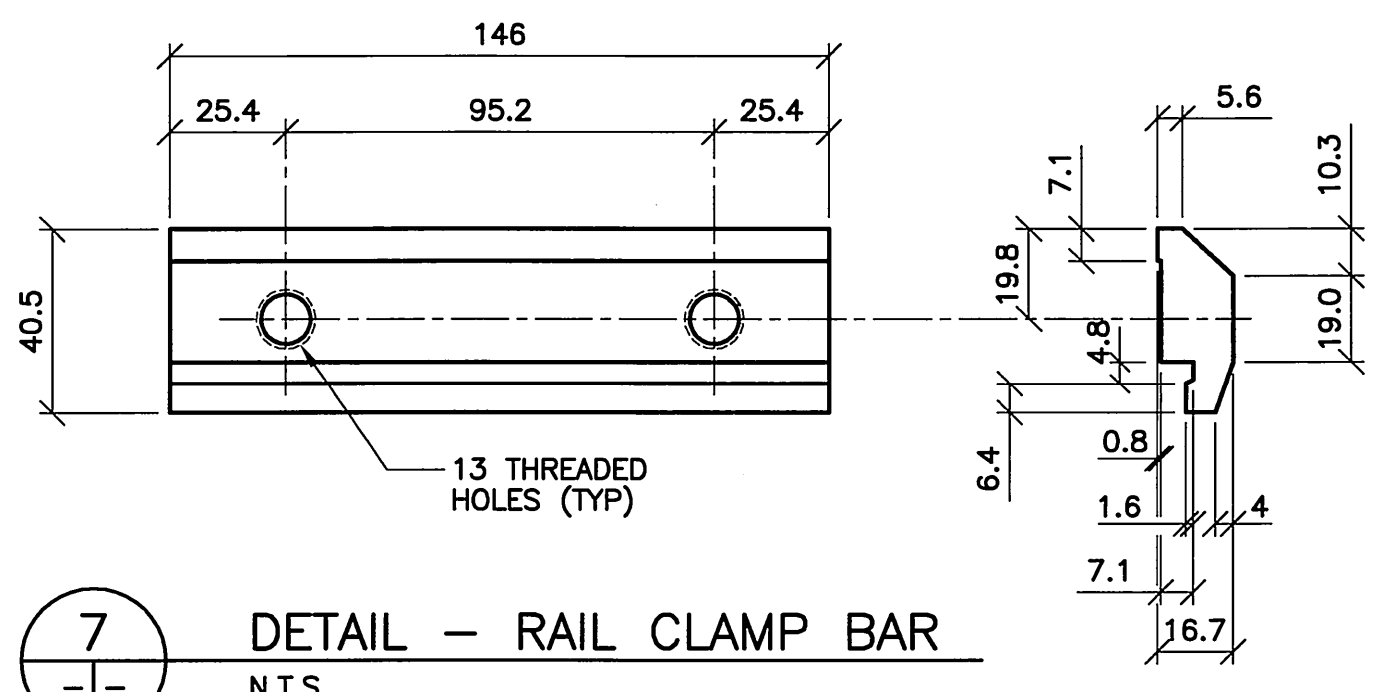
1 DETAIL - RAIL END SECTION
1 : 10



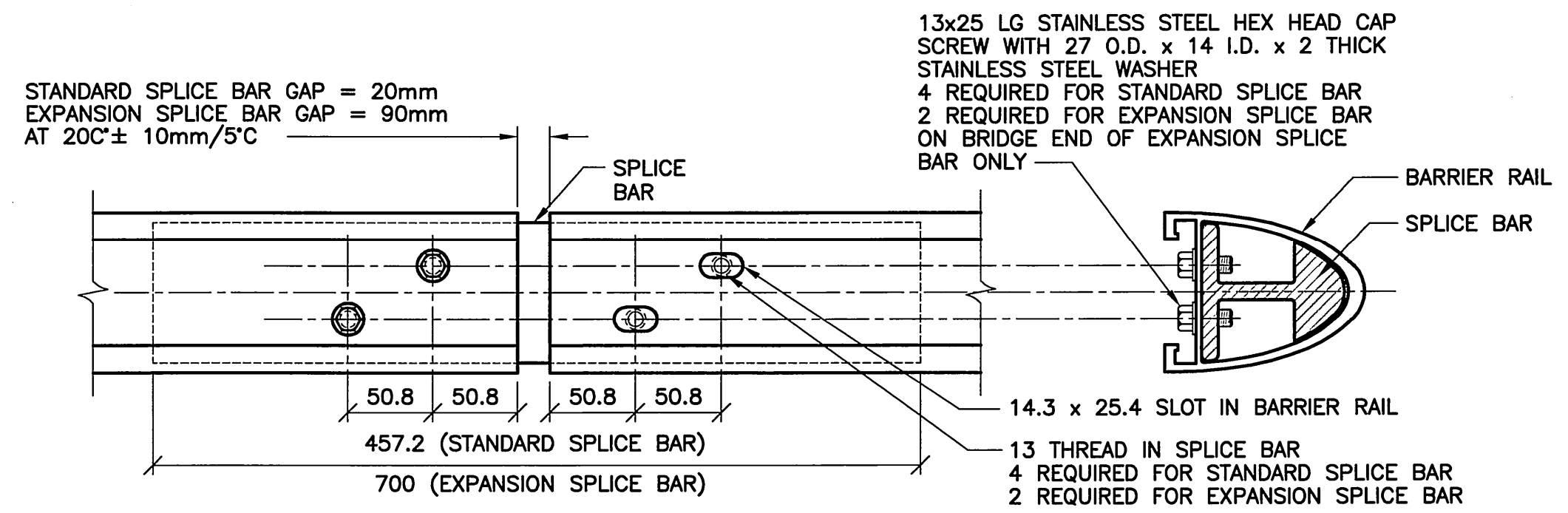
6 DETAIL - RAIL END PLATE
1 : 5



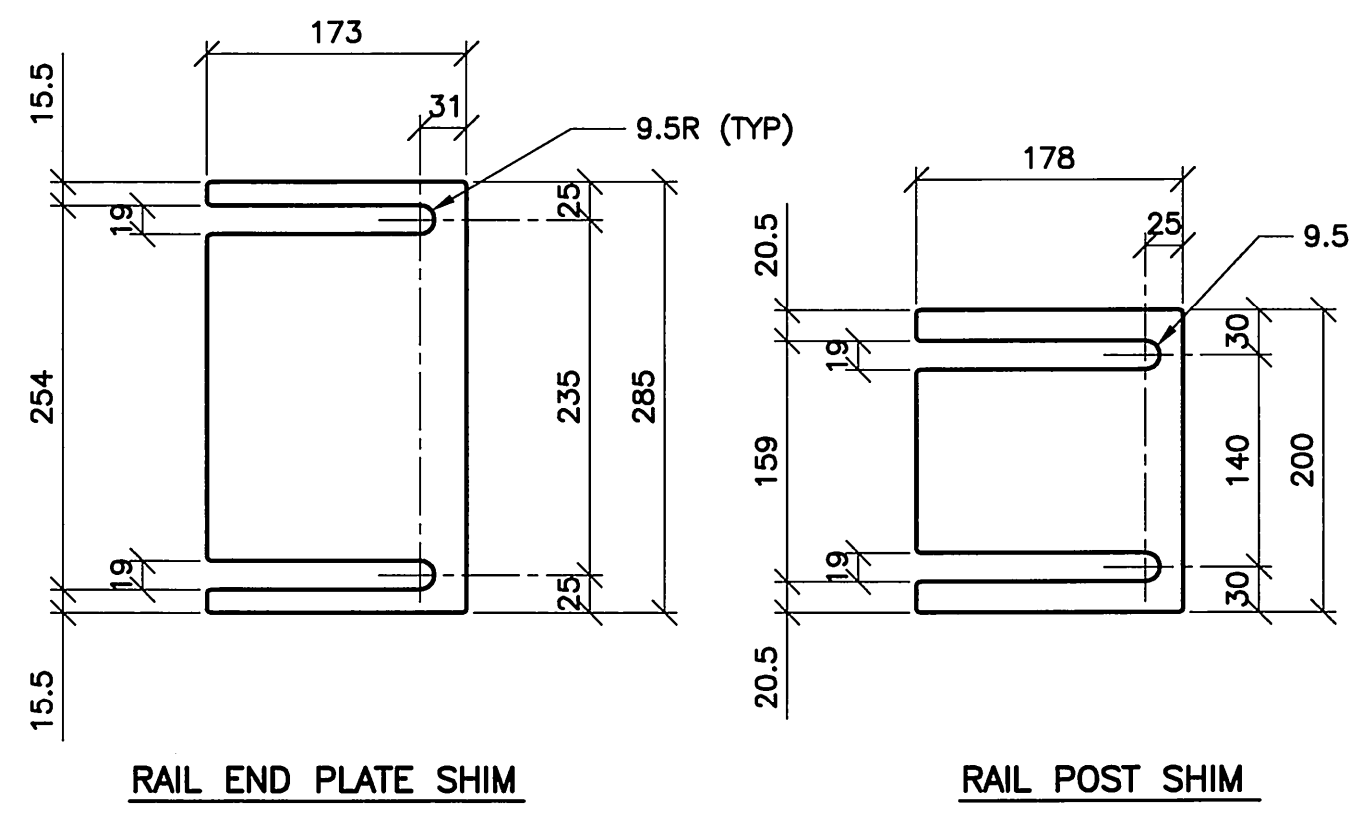
2 DETAIL - BRIDGE RAIL POST BR1 TYPE "C" (WELDED ALUMINUM)
1 : 5
- ALSO SHOWING RAIL TO POST ASSEMBLY DETAIL



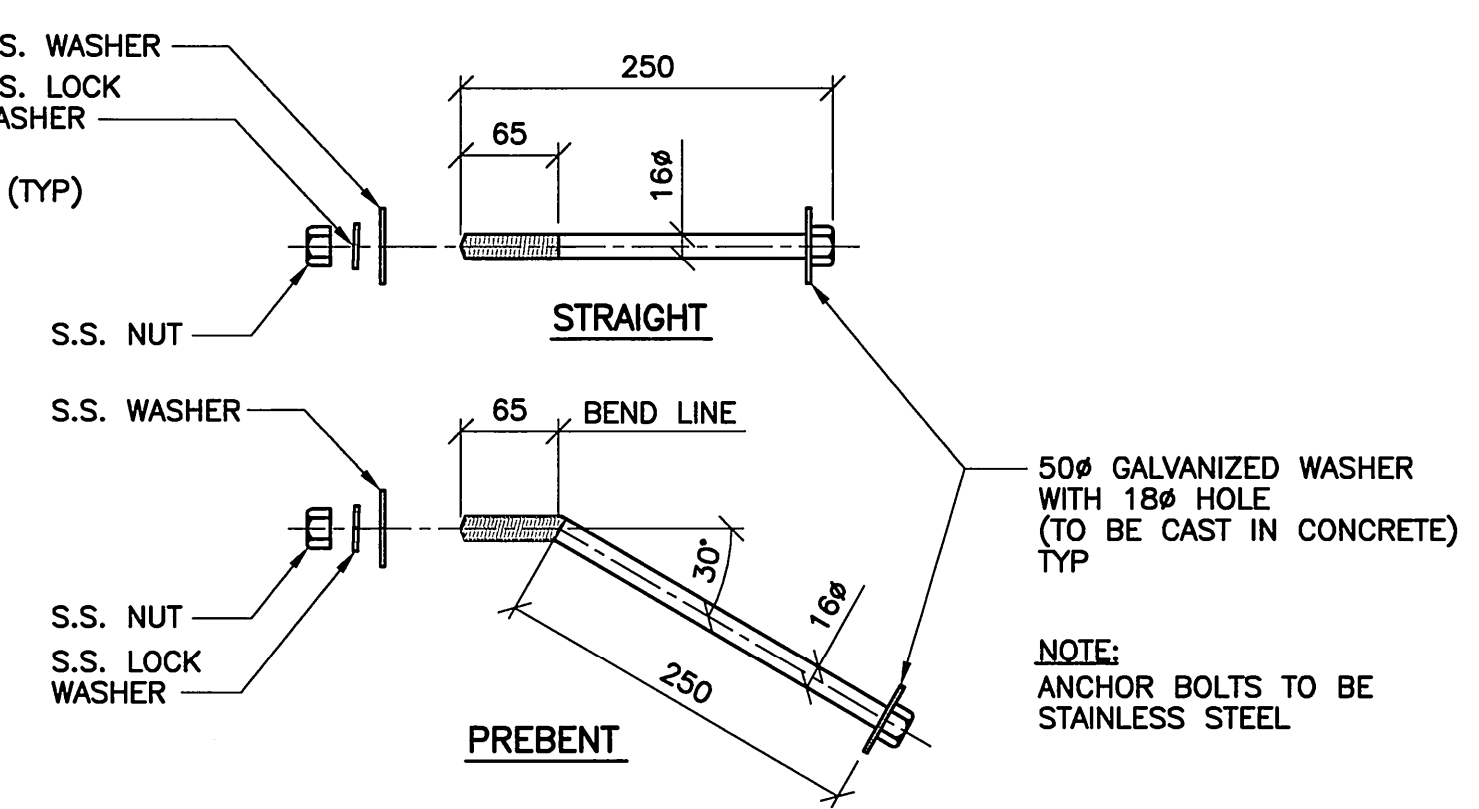
7 DETAIL - RAIL CLAMP BAR
N.T.S.
- EXISTING CLAMP BAR TO BE USED (SHOWN FOR REFERENCE ONLY)



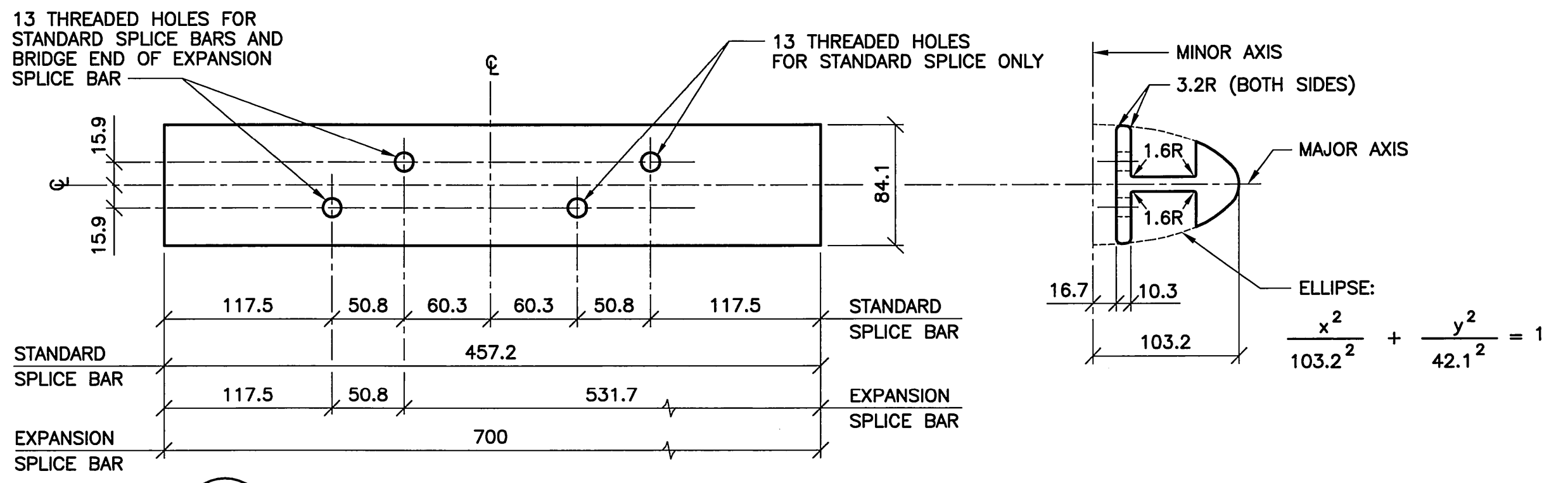
8 SPLICE BAR TO RAIL ASSEMBLY DETAIL
N.T.S.



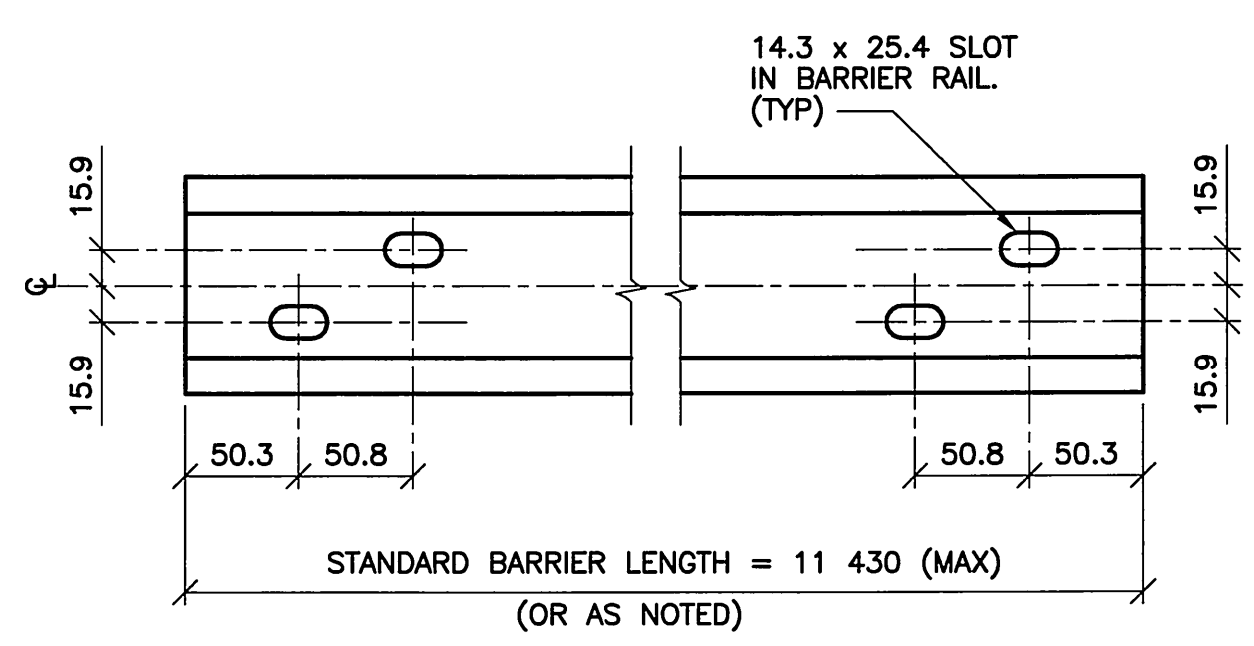
3 DETAIL - ALUMINUM SHIM
1 : 5
- ALUMINUM SHIMS IN 1.5, 3.0 & 6.0mm THICKNESSES. MIN SHIM OF 3.0mm AT EACH RAIL POST OR RAIL END PLATE



4 DETAIL - ANCHOR BOLT
1 : 5
- FOR RAIL POST AND RAIL END PLATES



9 DETAIL - SPLICE BAR
N.T.S.



5 DETAIL - BARRIER RAIL
N.T.S.



B.M. ELEV.	F.B.	DESIGNED BY	CHECKED BY
		E.F.S.	
		DRAWN BY	APPROVED BY
		P.S.	
		HOR. SCALE: AS NOTED	ACCEPTED BY DATE
		VERTICAL:	
00	ISSUED FOR TENDER	08.02.05	
NO.	REVISIONS	DATE	BY
		08.02.05	

WARDROP Engineering Inc.

DESIGNED BY E.F.S. CHECKED BY
DRAWN BY P.S. APPROVED BY
HOR. SCALE: AS NOTED ACCEPTED BY DATE
VERTICAL: DATE 08.02.05

PROVINCE OF MANITOBA
E.F.G. SHEHATA
Member
23439
REGISTERED PROFESSIONAL ENGINEER

CONSULTANT DRAWING NO. 0600070700-DWG-S1134-00

THE CITY OF WINNIPEG
PUBLIC WORKS DEPARTMENT
TRANSPORTATION ENGINEERING DIVISION

Winnipeg

FORT GARRY TWIN BRIDGES
WESTBOUND STRUCTURE REHABILITATION
AND ASSOCIATED ROADWORKS

CITY DRAWING NUMBER
B173-08-034W
SHEET OF 34 54

ALUMINUM TRAFFIC BARRIER
SECTIONS AND DETAILS

34