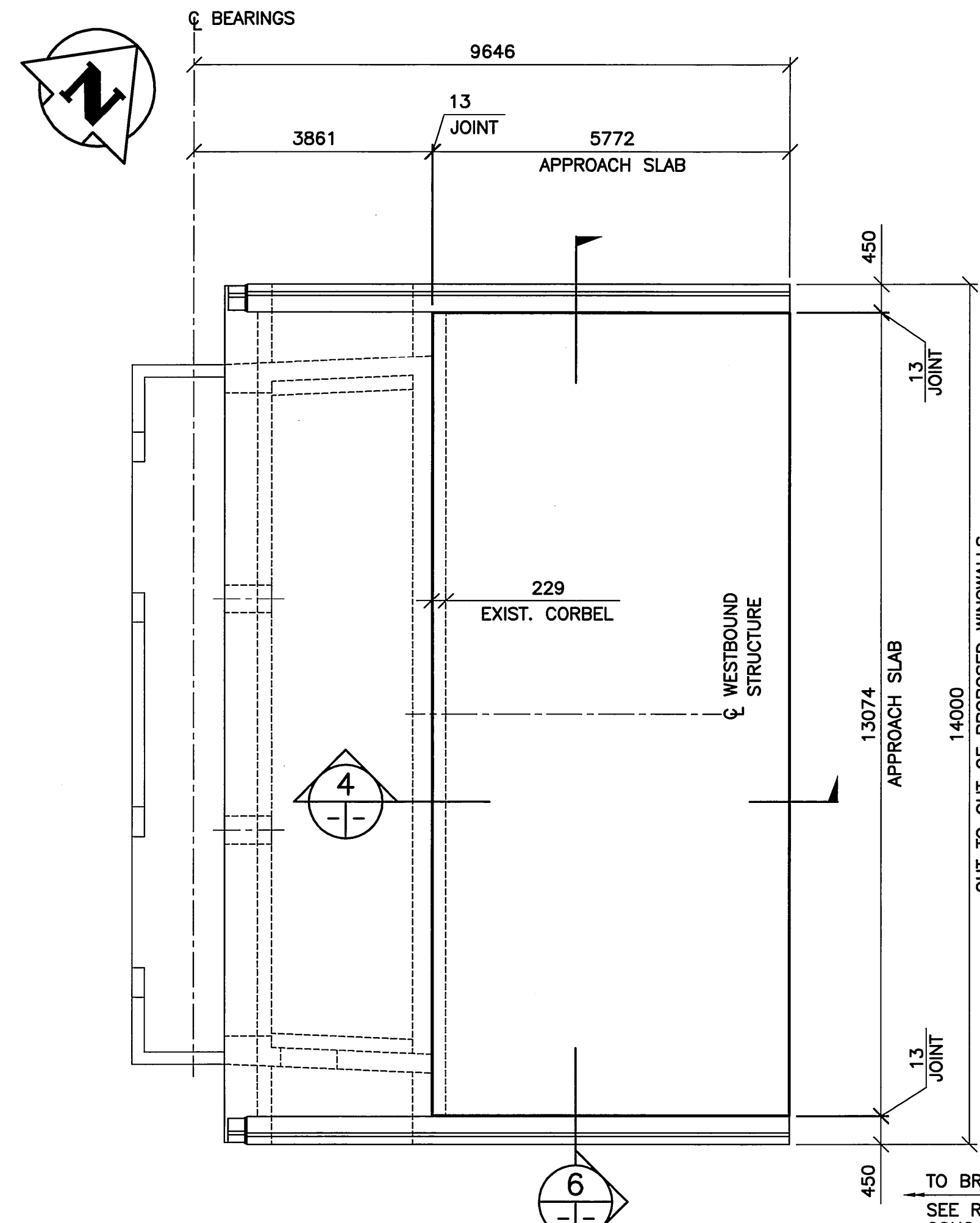
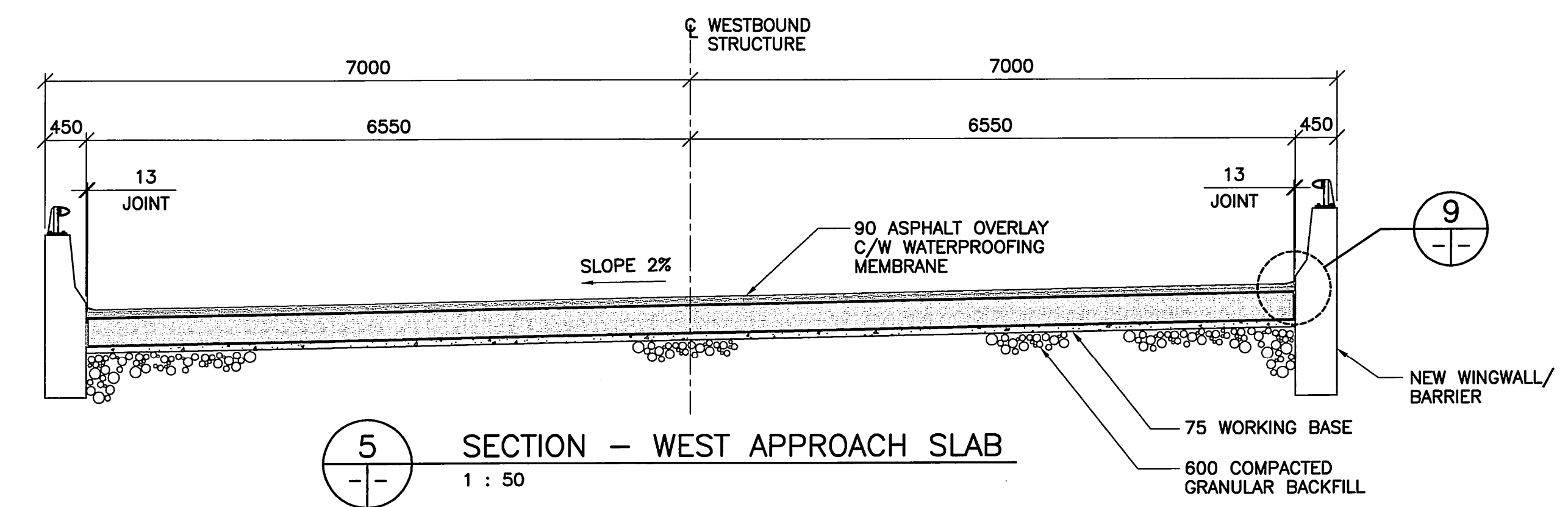


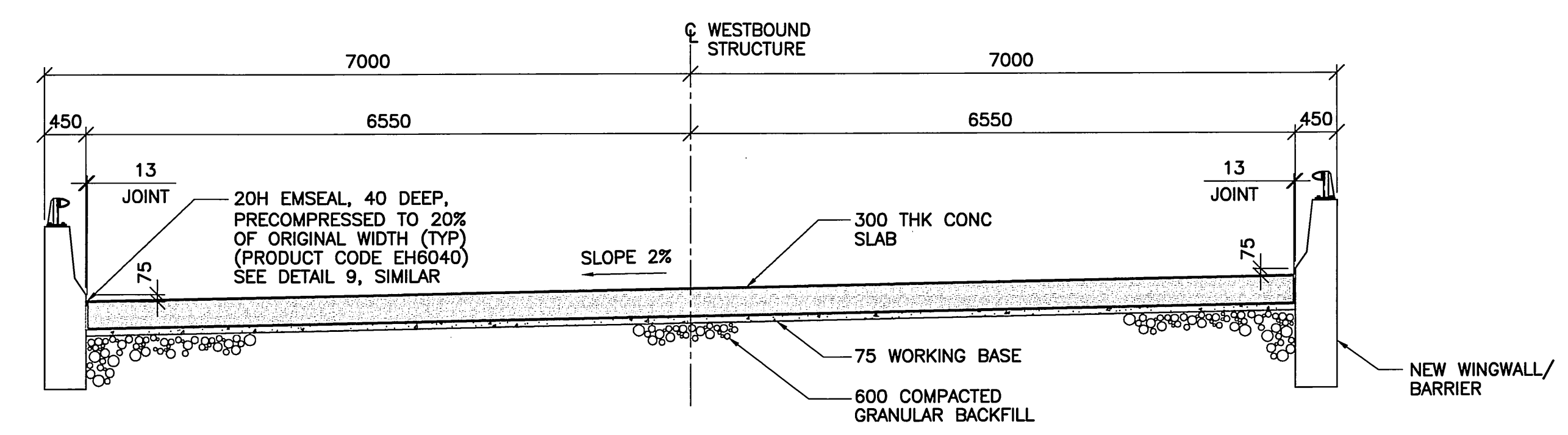
1 WEST APPROACH SLAB
1 : 75



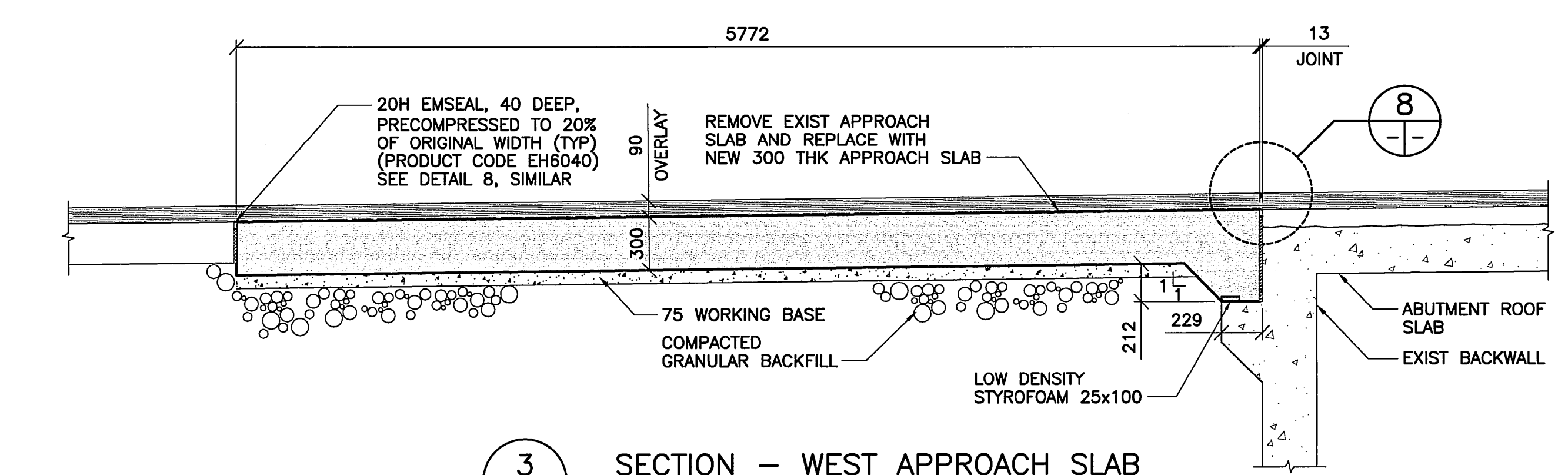
2 EAST APPROACH SLAB
1 : 75



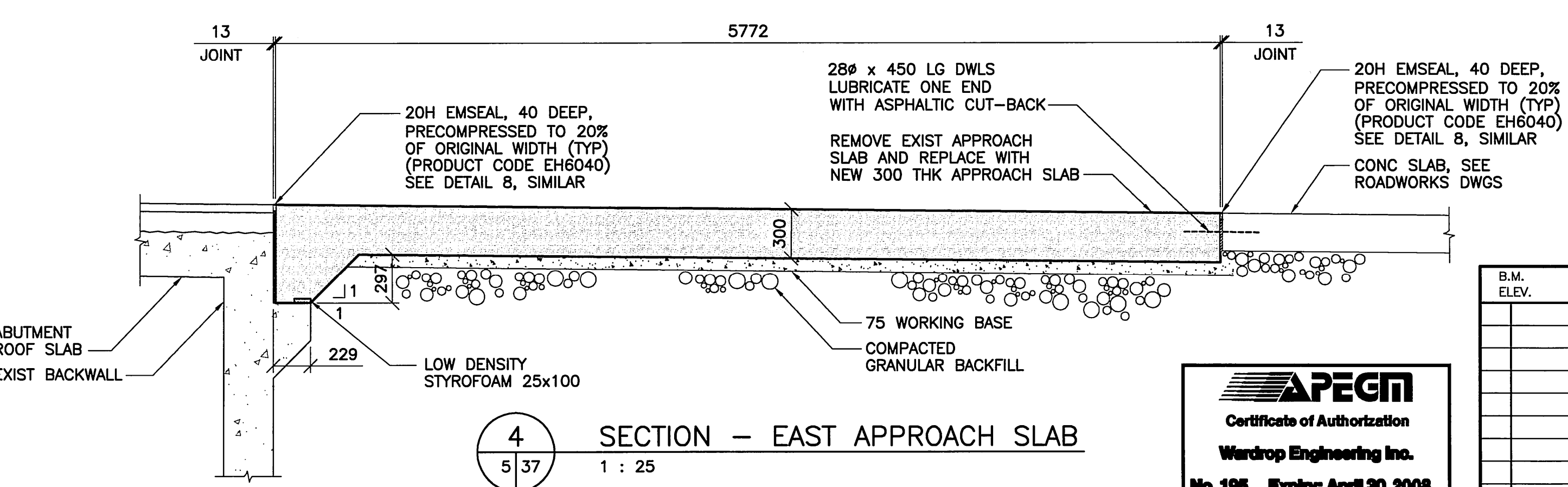
5 SECTION - WEST APPROACH SLAB
1 : 50



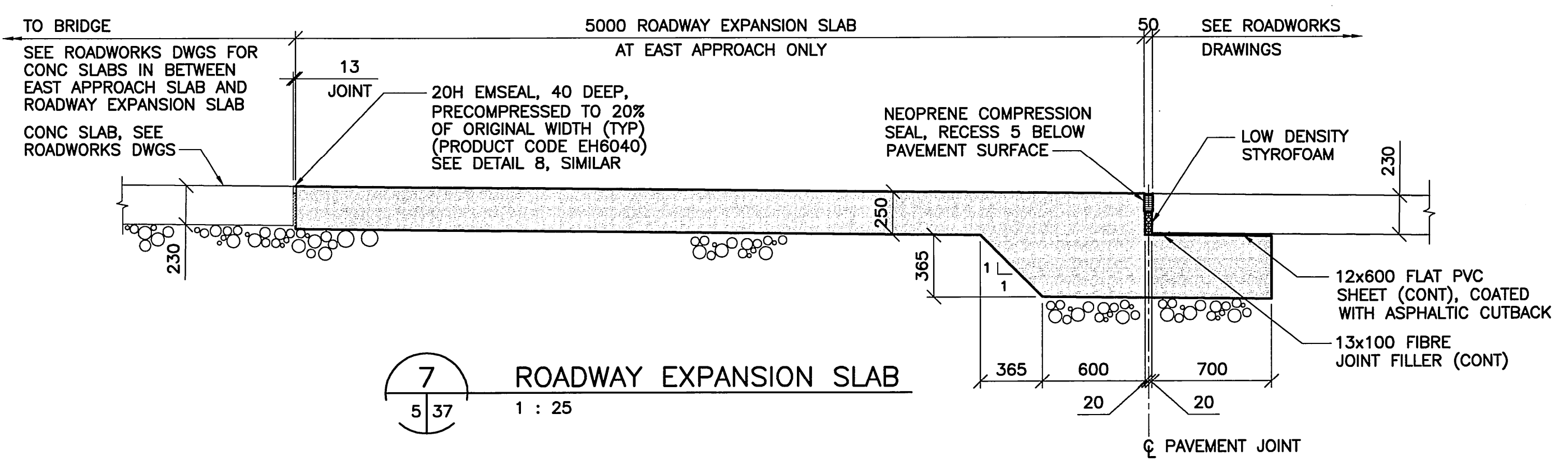
6 SECTION - EAST APPROACH SLAB
1 : 50



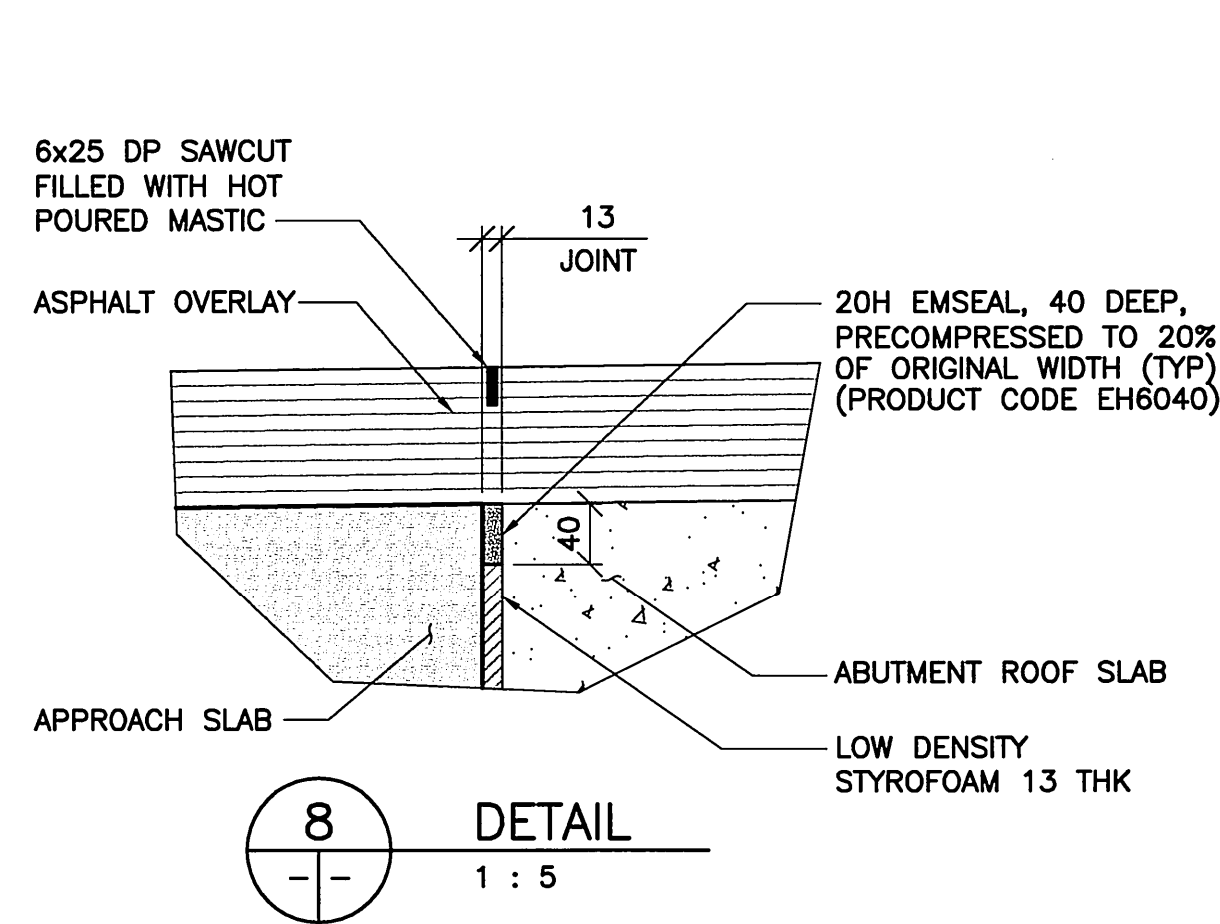
3 SECTION - WEST APPROACH SLAB
1 : 25



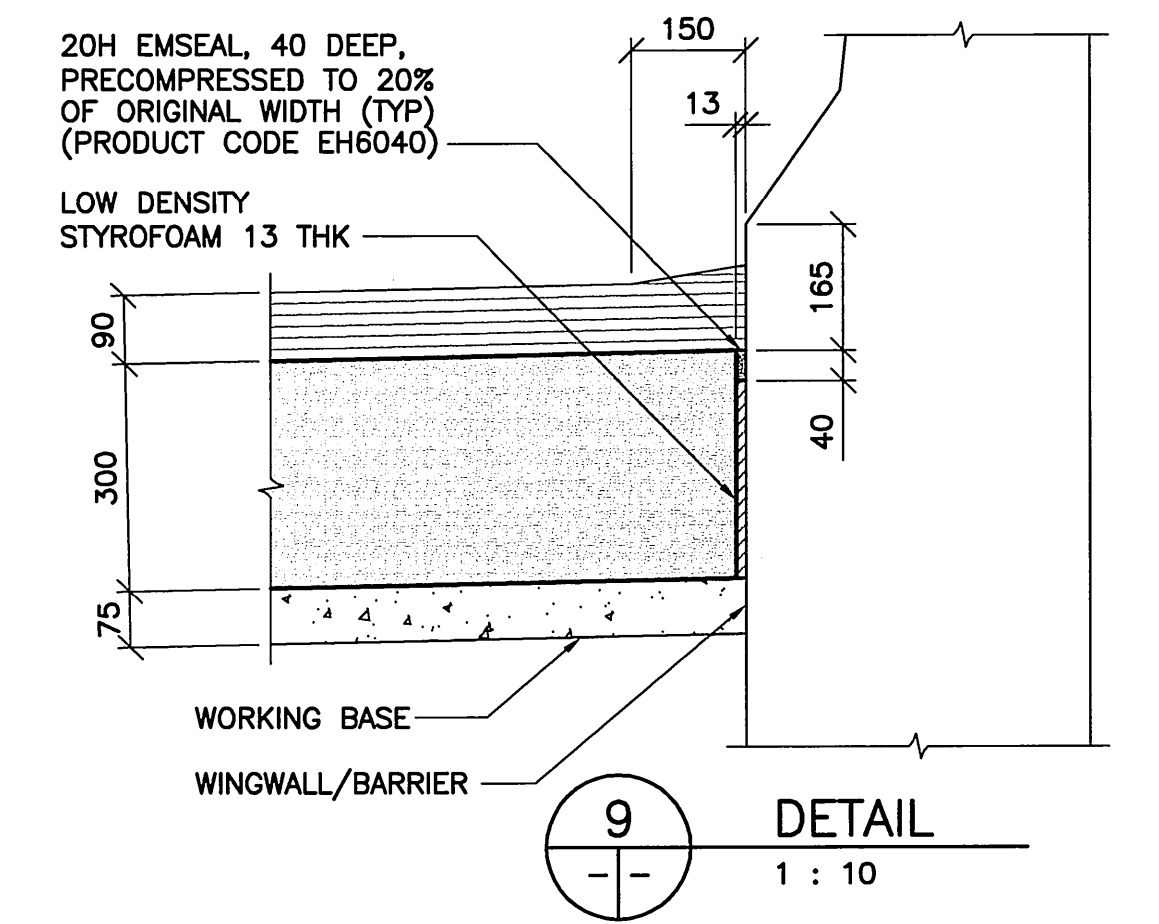
4 SECTION - EAST APPROACH SLAB
1 : 25



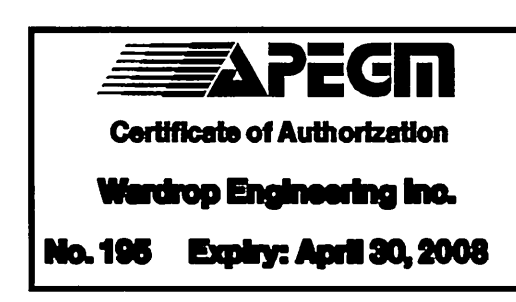
7 ROADWAY EXPANSION SLAB
1 : 25



8 DETAIL
1 : 5



9 DETAIL
1 : 10



B.M. ELEV.	F.B.	WARDROP Engineering Inc.			THE CITY OF WINNIPEG PUBLIC WORKS DEPARTMENT TRANSPORTATION ENGINEERING DIVISION		
		DESIGNED BY E.F.S.	CHECKED BY			FORT GARRY TWIN BRIDGES WESTBOUND STRUCTURE REHABILITATION AND ROADWORKS	CITY DRAWING NUMBER B173-08-037W
		DRAWN BY G.I.	APPROVED BY				SHEET 37 OF 54
		HOR. SCALE: AS NOTED	ACCEPTED BY DATE			EAST AND WEST APPROACH SLABS CONCRETE DETAILS	
00 ISSUED FOR TENDER	08.02.05	VERTICAL: AS NOTED	DATE 08.02.05	CONSULTANT DRAWING NO. 0600070700-DWG-S1137-00	37		