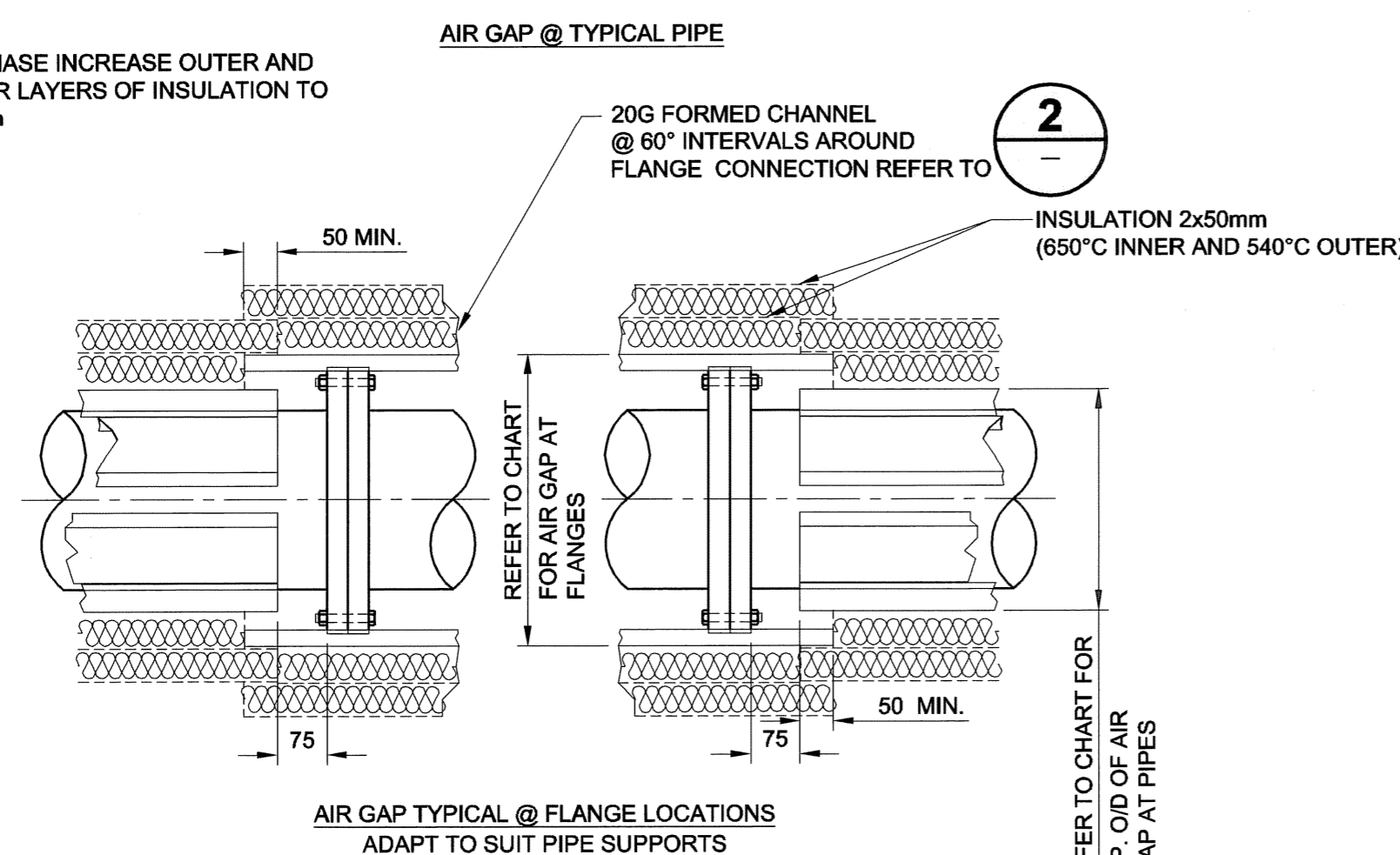
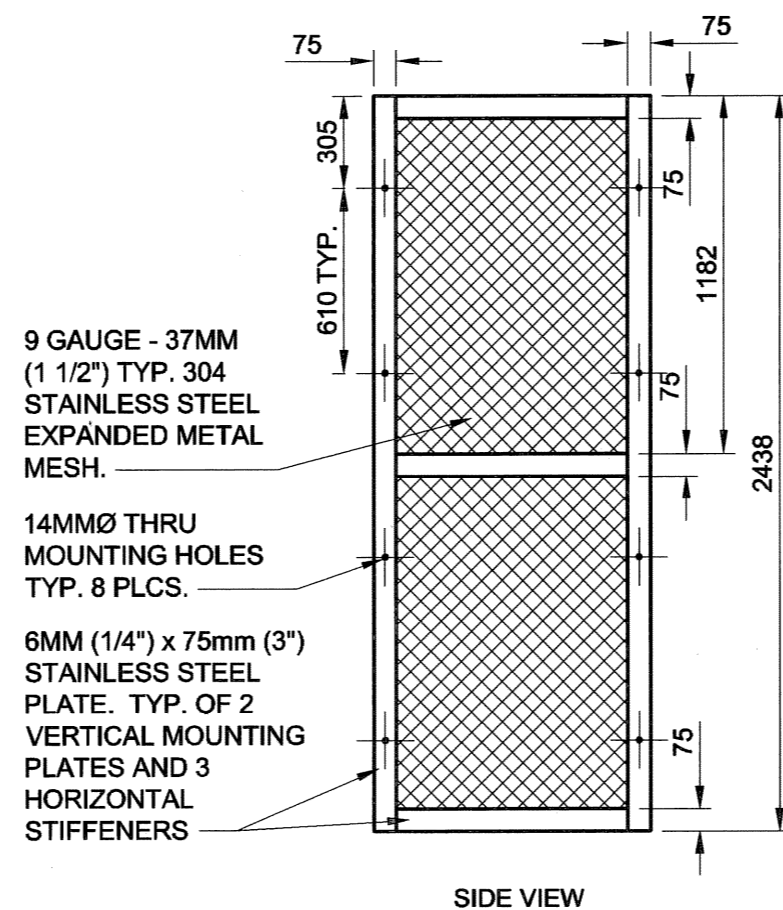
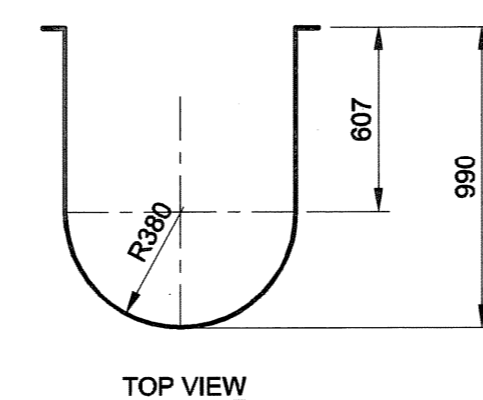
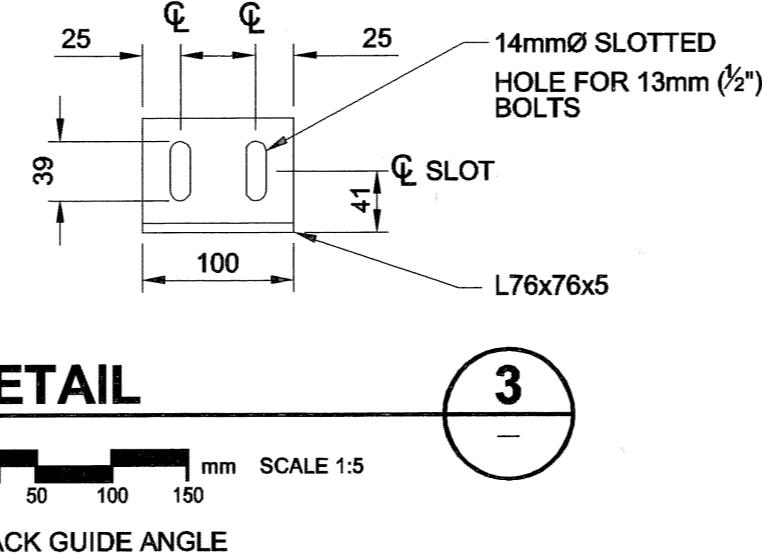
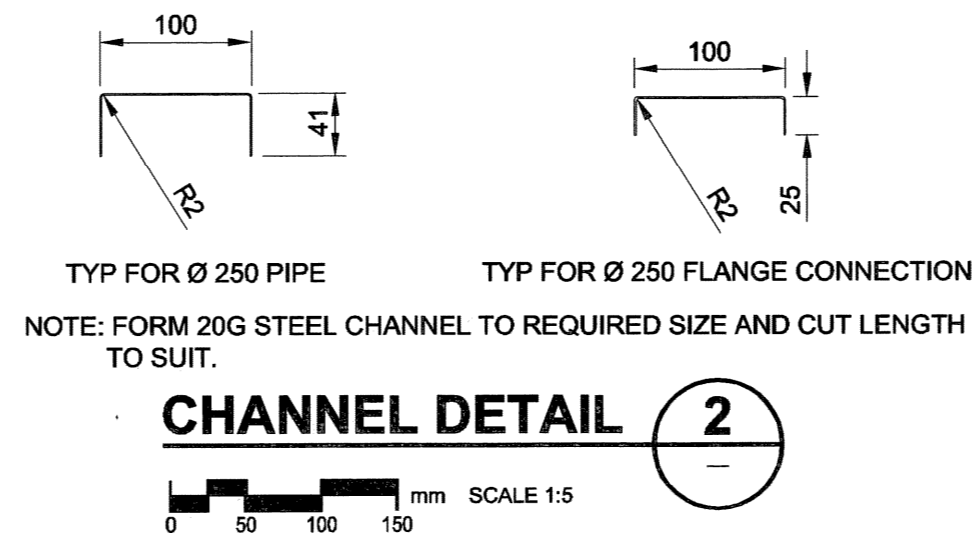


NOTE: IN CHASE INCREASE OUTER AND INNER LAYERS OF INSULATION TO 75mm

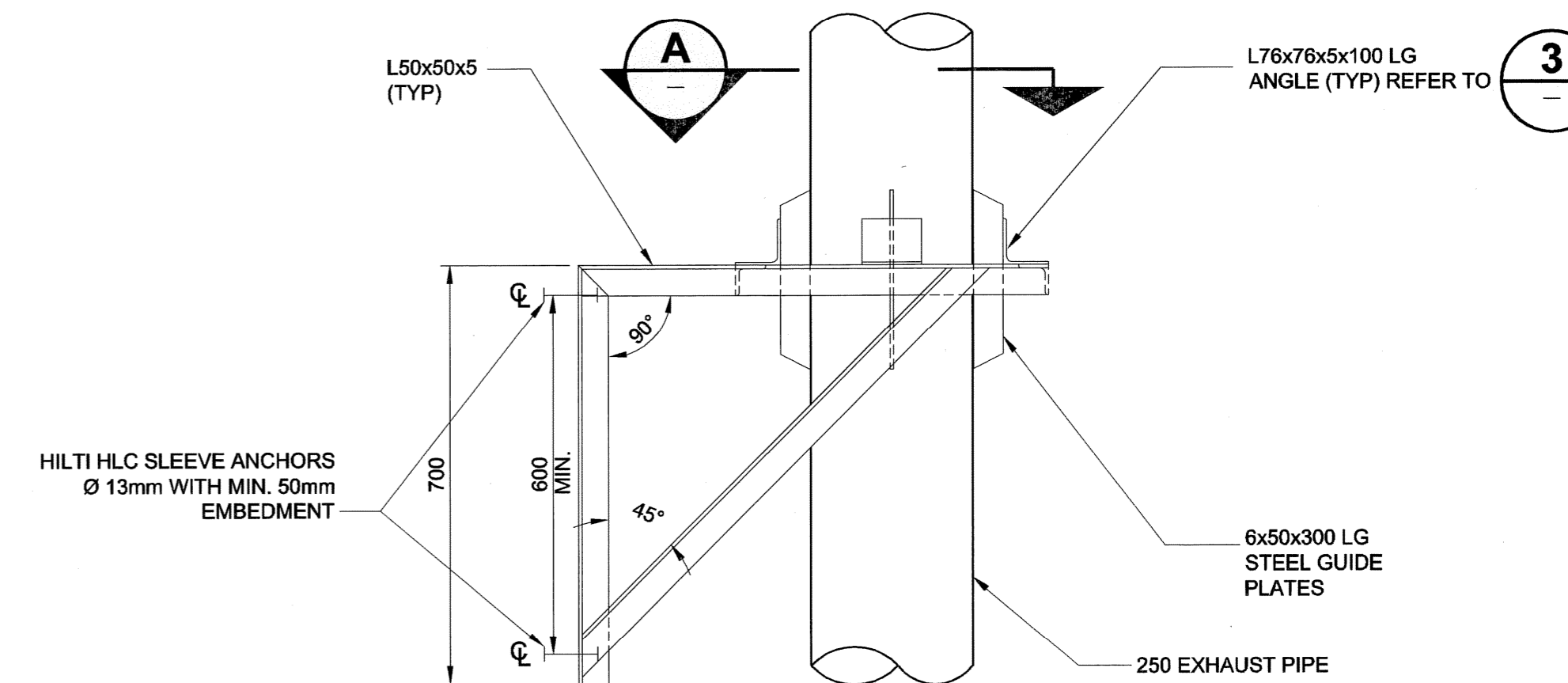


AIR GAP DETAILS 1
SCALE 1:10

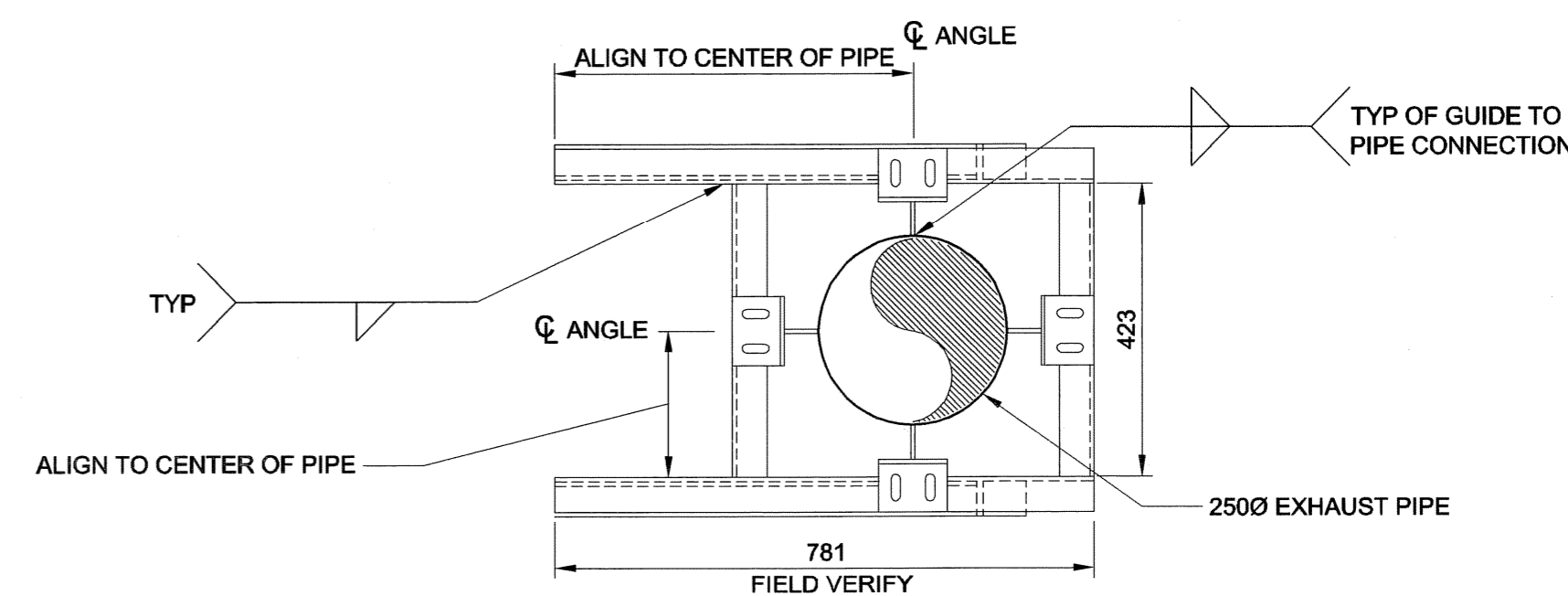
AIR GAP CHART (O.D.)			
PIPE		FLANGE	
NOMINAL Ø	AIR GAP	SIZE O.D.	AIR GAP
250mm	325mm	400mm	460mm



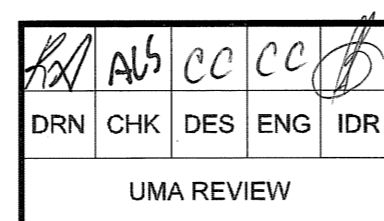
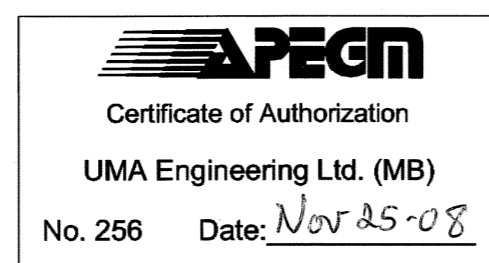
DETAIL 3
SCALE 1:25
NEW GUARD



GUIDE FRAME DETAIL 4
SCALE 1:10

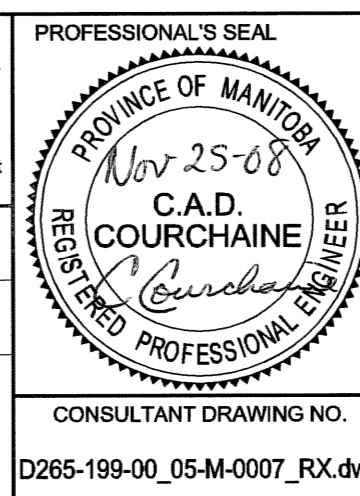


SECTION A
SCALE 1:10



NO.	REVISIONS	DATE	BY
B	ISSUED FOR BID	08/11/21	RS
A	ISSUED FOR REVIEW	08/10/28	RS
Y	MM/DD		

DESIGNED BY	CC	CHECKED BY	
DRAWN BY	RS	APPROVED BY	
HOR. SCALE	AS NOTED	RELEASED FOR CONSTRUCTION	
VERT. SCALE	AS NOTED		
DATE		DATE	



THE CITY OF WINNIPEG WATER AND WASTE DEPARTMENT

G. C. MACLEAN PUMPING STATION P-26 ENGINE REPLACEMENT MECHANICAL PIPE INSULATION AND GUIDE BRACKETS DETAILS AND SECTION

SHEET 1 OF 1
CITY DRAWING NUMBER 1-0630M-M0007-001
REV B

© 2008 UMA Engineering Ltd. All Rights Reserved. This document is protected by copyright law and may not be used, reproduced or modified in any manner or for any purpose except with the written permission of UMA Engineering Ltd. or a party to which its copyright has been assigned. UMA accepts no responsibility, and denies any liability whatsoever, to any party that uses, reproduces, modifies, or relies on this document without UMA's express written consent.

CONSULTANT DRAWING NO. D265-199-00_05-M-0007_RX.dwg