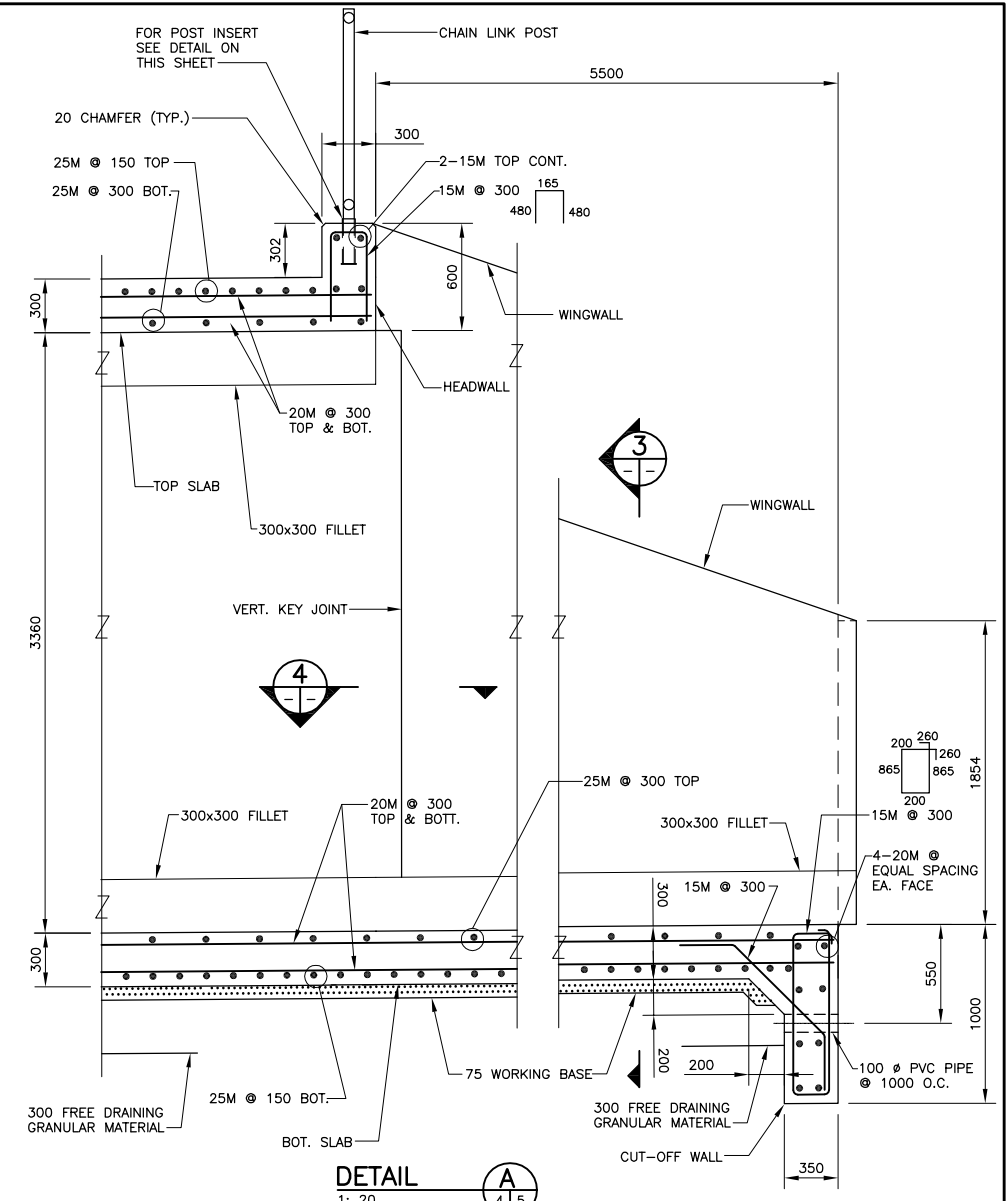
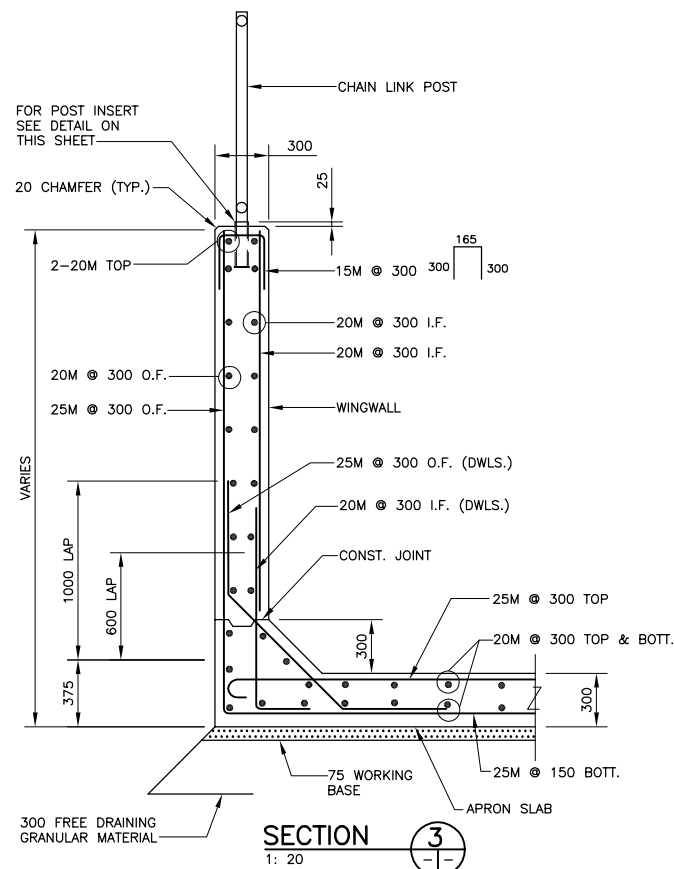


TYPICAL BOX CULVERT SECTION

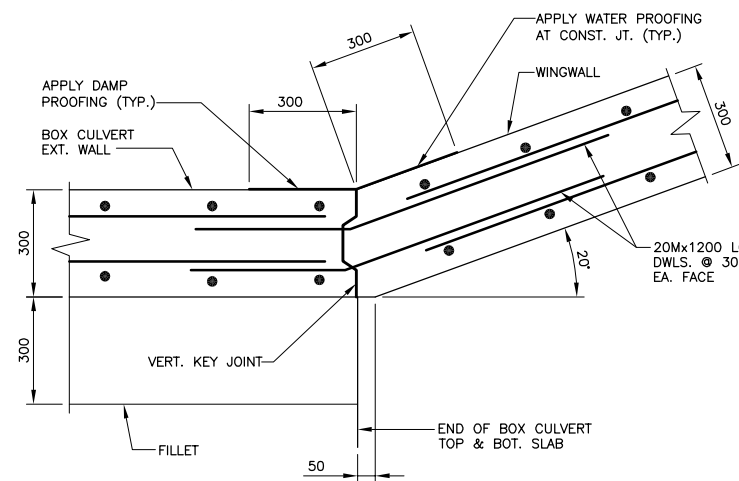
SECTION 2  
1: 20



DETAIL A  
1: 20

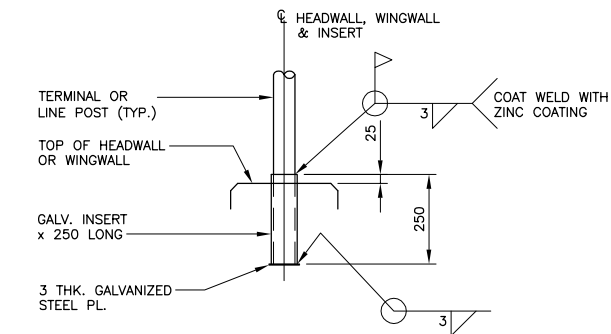


SECTION 3  
1: 20



BOX CULVERT EXTERIOR WALL/WINGWALL  
TYPICAL CONSTRUCTION JOINT AT 4 LOCATIONS

SECTION 4  
1: 10



TYPICAL POST INSERT DETAIL  
1: 10 (FOR CHAIN LINK FENCE)

40DILLON ACAD FILE: G:\CAD\043330\Drawn\Current\5-BOX\_CULVERT\_DETAIL1.dwg 9/25/2008

B.M. ELEV.	DESIGNED BY J.S.B.
	DRAWN BY N.B.G.
	CHECKED BY S.S.R.
	APPROVED BY
2 ISSUED FOR TENDER 12/08/08 N.B.G.	HOR. SCALE AS SHOWN
1 ISSUED FOR CITY REVIEW 11/21/08 N.B.G.	VERTICAL AS SHOWN
NO. REVISIONS	DATE BY DATE NOV. 21, 2008

**DILLON CONSULTING**

RELEASED FOR CONSTRUCTION  
ORIGINAL SIGNED BY B.A. NEIRNICK  
DATE DECEMBER 10, 2008

ENGINEER'S SEAL  
PROVINCE OF MANITOBA  
REGISTERED PROFESSIONAL ENGINEER  
J.S. BETKE  
DEC. 10, 2008  
Member 22412

CONSULTANT PROJECT NO.  
04-3330-2000

**THE CITY OF WINNIPEG**  
PUBLIC WORKS DEPARTMENT

Winnipeg

**OMAND'S CREEK CULVERT THROUGH SARGENT AVENUE**

CITY DRAWING NUMBER  
C316-08-05  
SHEET 5 OF 10

CONCRETE BOX CULVERT DETAILS  
1 OF 2

BID OPPORTUNITY  
859-2008