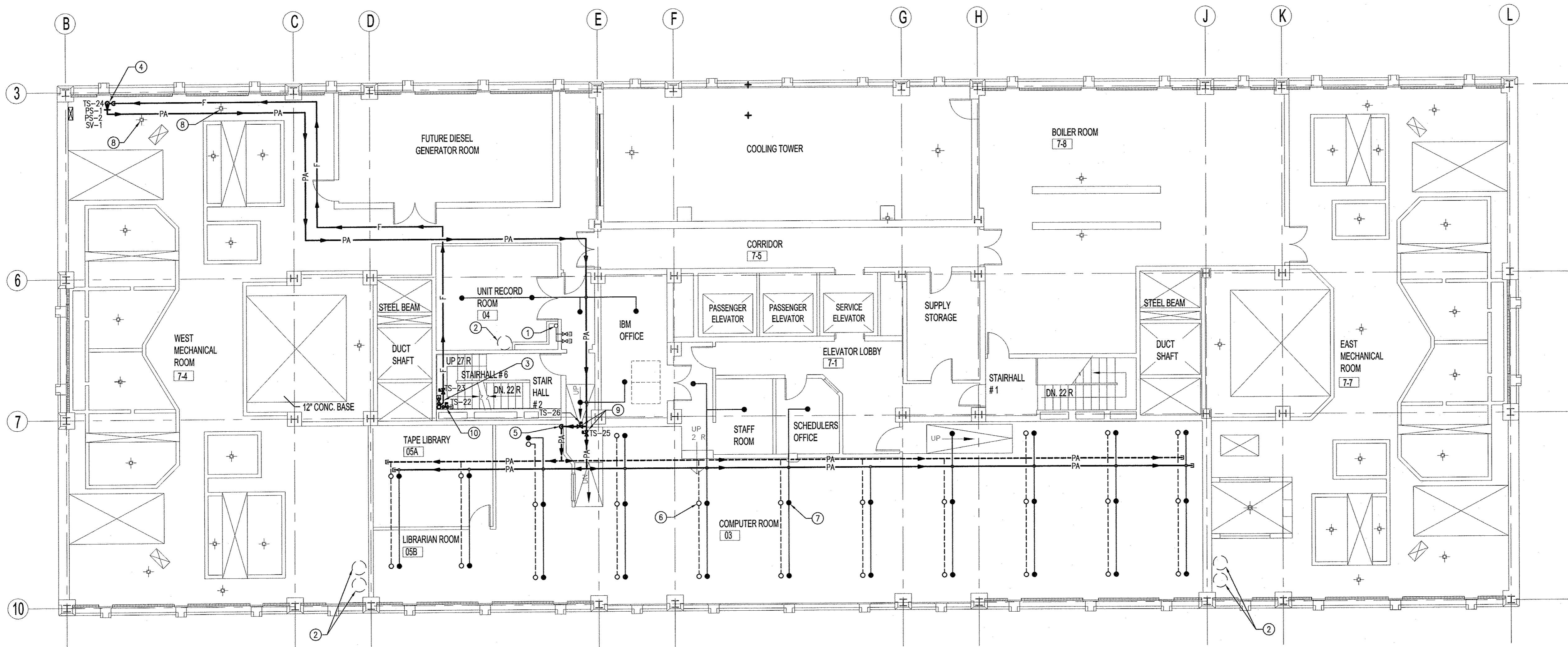


FILE NAME: 071760-FP-1.dwg
 DATE:
 DESCRIPTION: SEVENTH FLOOR PLAN - HALON REPLACEMENT
 PROJECT No.: 07-176-02
 ADDRESS: 510 MAIN STREET

NOTES:

DRAWING NOTES

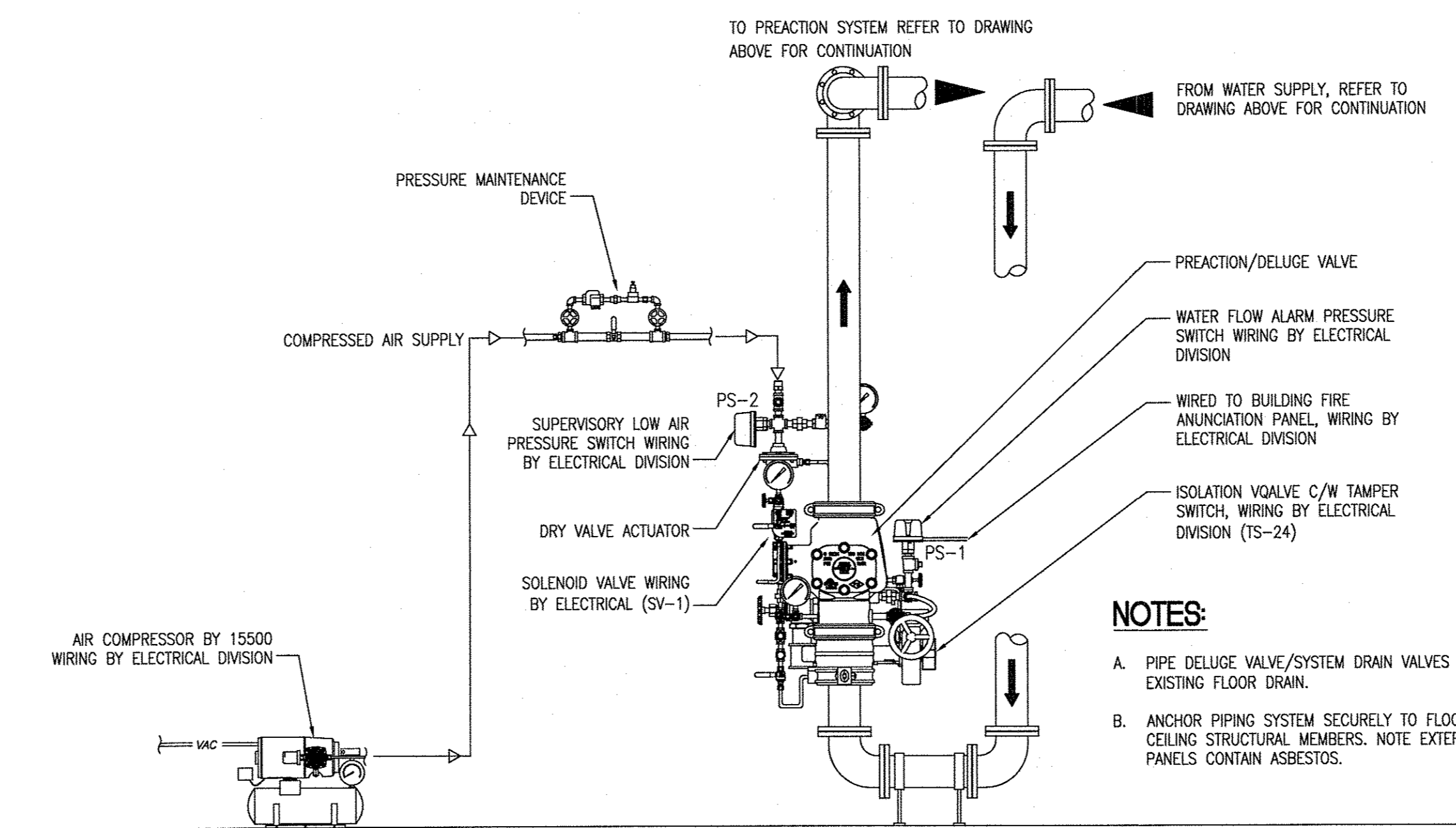
- EXISTING 150mm FIRE STANDPIPE C/W 2-65mm HOSE VALVES.
- REMOVE AND DISPOSE OF EXISTING HALON CYLINDER, ACCESSORIES, PIPING, ETC. WIRING, CONTROLS AND DETECTION SYSTEM TO BE REMOVED BY ELECTRICAL DIVISION. TO BE DONE AFTER THE NEW PREACTION SYSTEM IS INSTALLED AND COMMISSIONED.
- CONNECT NEW FIRE LINE TO NEW 150mm FIRE STANDPIPE AND PROVIDE ISOLATION VALVE C/W TAMPER SWITCH. WIRING BY ELECTRICAL DIVISION.
- COMPUTER ROOM PREACTION SYSTEM PREACTION VALVE C/W ISOLATION VALVE WITH TAMPER SWITCH. WIRING BY ELECTRICAL DIVISION. REFER TO PHOTO #1 FOR PROPOSED LOCATION.
- PREACTION SPRINKLER MAIN DOWN BELOW RAISED FLOOR.
- UPRIGHT TYPE SPRINKLER HEAD (TYPICAL). BELOW RAISED FLOOR.
- CONCEALED PENDENT TYPE SPRINKLER HEAD (TYPICAL).
- EXISTING FLOOR DRAIN.
- EXISTING BUILDING SUPPLY AIR FAN #1.
- EXISTING FAN #1 VARIABLE SPEED DRIVE.
- EXISTING HUMIDIFIER.
- ISOLATION VALVE C/W TAMPER SWITCH. WIRING BY ELECTRICAL DIVISION.
- 100mm CONTROL VALVE C/W TAMPER SWITCH AND CAP FOR FUTURE SPRINKLER SYSTEM CONNECTION TYPICAL FROM MAIN FLOOR TO SEVENTH FLOOR. WIRING BY ELECTRICAL DIVISION.



1 PART 7TH FLOOR PLAN - NEW COMPUTER ROOM PREACTION SPRINKLER SYSTEM
 SCALE: 1:100



2 PHOTO #1
 SCALE: NTS



3 SCHEMATIC OF DOUBLE INTERLOCK PREACTION SYSTEM ZONE CONTROL STATION
 SCALE: NTS

- NOTES:**
- PIPE DELUGE VALVE/SYSTEM DRAIN VALVES OVER EXISTING FLOOR DRAIN.
 - ANCHOR PIPING SYSTEM SECURELY TO FLOOR AND CEILING STRUCTURAL MEMBERS. NOTE EXTERIOR WALL PANELS CONTAIN ASBESTOS.

1	ISSUED FOR BID OPPORTUNITY	SW	1/29/09
NO.	REVISION/DESCRIPTION	BY	DATE
SEALS			

DRAWN BY: RRNS
 CHECKED BY: GO
 APPROVED: VSW
 DATE: 2008.01.16
 USER APPROVAL

CITY OF WINNIPEG
 PLANNING, PROPERTY &
 DEVELOPMENT DEPARTMENT
 CIVIC ACCOMMODATIONS DIVISION
 300 - 65 GARRY ST. R3C 4K4

PROJECT
 CITY OF WINNIPEG
 HALON SYSTEM REPLACEMENT
 510 MAIN STREET
 510 MAIN STREET

SHEET TITLE
 PART SEVENTH FLOOR PLAN - NEW
 COMPUTER ROOM PREACTION SPRINKLER
 SYSTEM

SMS ENGINEERING

SMS Engineering Ltd. Consulting Engineers
 770 Bradford Street Winnipeg MB Canada R9H 0N3
 Telephone: 204.775.0291 Fax: 204.772.2193
 sms@smseng.com

SCALE: 1:100
 PROJECT NO.: 07-176-02
 SHEET NO.: FP-2

DRAWING SHEET SIZE: A1 (841mm x 594mm) PLOT 1:1