

| DOOR SCHEDULE | | | | | | | | | | |
|---------------------|------|------------------------|--------|-----------|----------|--------|------|--------|----------------|-------|
| DOOR NO. | DOOR | | | | FRAME | | | RATING | HARDWARE GROUP | NOTES |
| | TYPE | WIDTH | HEIGHT | THICKNESS | MATERIAL | FINISH | TYPE | | | |
| MAIN FLOOR | | | | | | | | | | |
| D110 | A | 3'-0" x 7'-0" x 1 3/4" | H.M. | PT. | A | P.S. | PT. | | 1 | |
| D111 | A | 3'-0" x 7'-0" x 1 3/4" | H.M. | PT. | A | P.S. | PT. | | 2 | |
| D112 | A | 3'-0" x 7'-0" x 1 3/4" | H.M. | PT. | A | P.S. | PT. | | 1 | |
| D113 | A | 3'-0" x 7'-0" x 1 3/4" | H.M. | PT. | A | P.S. | PT. | | 2 | |
| SECOND FLOOR | | | | | | | | | | |
| D203 | A | 3'-0" x 7'-0" x 1 3/4" | H.M. | PT. | A | P.S. | PT. | | 1 | |
| D204 | A | 3'-0" x 7'-0" x 1 3/4" | H.M. | PT. | A | P.S. | PT. | | 2 | |
| D205 | A | 3'-0" x 7'-0" x 1 3/4" | H.M. | PT. | A | P.S. | PT. | | 1 | |
| D206 | A | 3'-0" x 7'-0" x 1 3/4" | H.M. | PT. | A | P.S. | PT. | | 2 | |

DOOR ABBREVIATIONS H.M. - HOLLOW METAL P.S. - PRESSED STEEL PT. - PAINT

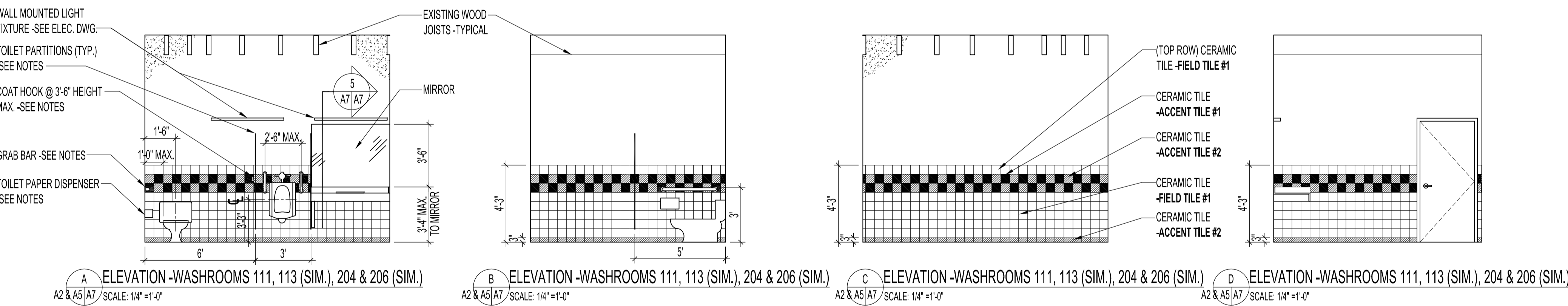
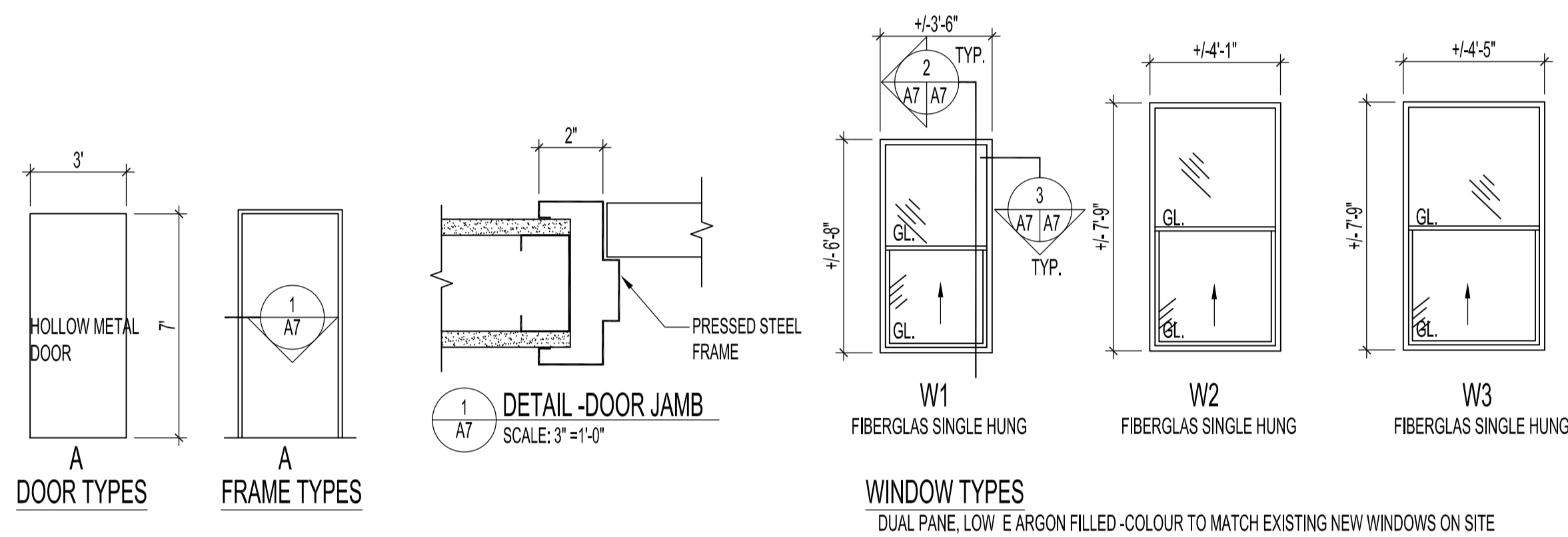
| HARDWARE GROUPS | |
|-----------------|----------------------|
| #1 | 1A-2A-4A-5A-6A |
| #2 | 1A-3A-3B-4A-5A-6A |
| #3 | 1A-2A-4A-5A-6A-7A-7B |

HARDWARE CODES:

- 1A HINGES - MCKINNEY TA 714 4 1/2" x 4" STANDARD WEIGHT BEARING - STEEL 626 FINISH
- 2A -SCHLAGE S-SERIES STANDARD DUTY COMMERCIAL LOCK - JUPITER 626 FINISH LOCKABLE SET - S80 PD F86
- 3A PUSH PLATE - K13 PUSH PLATE HALF ROUND STANDARD METAL
- 3B PULL W/ PLATE - STAINLESS STEEL 2412B 630 SATIN IN STAINLESS STEEL 3/4" x 12" PULL / 062 PLATE
- 4A CLOSER - LCN 1461 SERIES SLIM LINE COVER INCLUDED NON-HANDED
- 5A FLOOR STOP - STANDARD METAL 626
- 6A KICKPLATE K10A 12 x 34 626 FINISH
- 7A DOOR SWEEP - W13S 689
- 7B SMOKE SEAL - W21BLACK

| ROOM FINISH SCHEDULE | | | | | | | | | | |
|----------------------|-----------------------|---------|-----------|------------|------------|-----------|-----------|---------|----------------|---------------------------------------|
| ROOM NO. | ROOM NAME | FLOOR | BASEBOARD | NORTH WALL | SOUTH WALL | EAST WALL | WEST WALL | CEILING | CEILING HEIGHT | NOTES |
| 110 | WIRING CLOSET | VCT | HWDD | PT | PT | PT | PT | | 10'-10" | |
| 111 | MENS WASHROOM | VCT | | CT & PT | CT & PT | CT & PT | CT & PT | | | SEE NOTES FOR VCT & CT TYPES |
| 112 | JANITOR'S ROOM | VCT | HWDD | PT | PT | PT | PT | | | |
| 113 | WOMEN'S WASHROOM | VCT | | CT & PT | CT & PT | CT & PT | CT & PT | | | |
| 114 | FUTURE EAST STAIRWELL | UF | HWDD | | | | PT | | | PT #1 - DEMOLISHED CLNG. ONLY |
| 115 | STORAGE | UF & CP | HWDD & CP | | PT | | | PT #1 | | SEE FLOOR FINISH PLAN FOR CARPET TYPE |
| 116 | STORAGE | CP | CP | PT | PT | PT | PT | PT #1 | | |
| 117 | STORAGE | CP | CP | PT | PT | PT | PT | PT #1 | | |
| 118 | STORAGE | CP | CP | PT | PT | PT | PT | PT #1 | | |
| 119 | STORAGE | CP | CP | PT | PT | PT | PT | PT #1 | | |
| 120 | STORAGE | CP | CP | PT | PT | PT | PT | PT #1 | | |
| 121 | VAULT | CP | | | | | | | | |
| 122 | STORAGE | CP | CP | PT | PT | PT | PT | PT | | |
| 203 | WIRING CLOSET | VCT | HWDD | PT #1 | PT | PT | PT #1 | PT #1 | 9'-9" | |
| 204 | MENS WASHROOM | VCT | | CT & PT | CT & PT | CT & PT | CT & PT | PT #1 | | SEE NOTES FOR VCT & CT TYPES |
| 205 | JANITOR'S ROOM | VCT | HWDD | PT | PT | PT | PT | PT #1 | | |
| 206 | WOMEN'S WASHROOM | VCT | | CT & PT | CT & PT | CT & PT | CT & PT | PT #1 | | |
| 207 | FUTURE EAST STAIRWELL | PT | HWDD | PT | PT | PT | PT | PT #1 | | |
| 208 | STORAGE AREA 2 | PT | | | | | | | | |
| 210B | STORAGE AREA 3 | PT | | | | | | | | |

ABBREVIATIONS VCT - VINYL COMPOSITE TILE CP - CARPET UF - URETHANE FINISH PT - PAINT PT #1 - PAINT TO MATCH EXISTING - SEE NOTES CT - 6" x 6" CERAMIC TILE HWDD - HARDWOOD



NOTES:
GENERAL NOTES:

-ALL ACCESSORIES, PLUMBING FIXTURES IN BARRIER FREE WASHROOMS TO BE INSTALLED TO THE LATEST MANITOBA BUILDING CODE STANDARDS FOR BARRIER-FREE ACCESS.

ALL PAINT COLOURS TO BE DETERMINED BY CONTRACT ADMINISTRATOR AT A LATER DATE.

WASHROOMS 111, 113, 204, 206
BOBRICK ACCESSORIES
ROLL PAPER TOWEL DISPENSER B-72860
MATRIX SERIES WASTE RECEPTACLE B-5277
CLASSIC SERIES SOAP DISPENSER B-40
CLASSIC SERIES TOILET PARTITIONS 1540 - COLOUR 1500N GREY
CLASSIC SERIES TWIN JUMBO-ROLL TOILET TISSUE DISPENSER B-2892
MATRIX SERIES SANITARY NAPKIN DISPOSAL B-5270
GRAB BARS - SERIES B-5806.99 x 36"
CLOTHES HOOK B-233
PULLS - PROVIDE PULL HANDLES ON B/S OF BARRIER FREE CUBICLE DOOR
SIGNAGE - PROVIDE ONE EACH BARRIER-FREE WASHROOM SIGN FOR THE WOMEN'S & MEN'S WASHROOM. REQUIREMENTS ARE TO FOLLOW CODES NOTED ABOVE.

PAINT #1 - MAIN FLOOR STORAGE AREAS: CEILINGS TO BE FINISHED IN ONE COAT OIL BASED PRIMER & 2 COATS OF 100 PERCENT ACRYLIC PAINT UNLESS NOTED OTHERWISE.

PAINT #1 SECOND FLOOR STORAGE AREA #2 208 & #3 210B: CEILINGS, COLUMNS, WALLS & EXISTING WINDOW FRAMES TO BE FINISHED IN ONE COAT OIL BASED PRIMER & 2 COATS OF 100 PERCENT ACRYLIC PAINT UNLESS NOTED OTHERWISE.

FIELD TILE #1 - 6" x 6" OLYMPIA TILE 'NEW EXCELLENCE SERIES'
GLOSS WHITE

ACCENT TILE #1 - 6" x 6" OLYMPIA TILE 'NEW EXCELLENCE SERIES'
MUSTARD GLOSS

ACCENT TILE #2 - 6" x 6" OLYMPIA TILE 'NEW EXCELLENCE SERIES'
BLACK GLOSS - BASE TILE IS 3" HIGH. CUT 6" TILE & INSTALL W/ FINISHED EDGE UP.

VCT (VINYL COMPOSITE TILE) - AMTICO PRESTIGE COLLECTION,
HERITAGE STONE CHS-16

PLASTIC LAMINATE (LABORATORY COUNTERS) - NEVAMAR RED HOT
ALLUSION ALR003T

ORIGINAL STAMPED BY: R.K.FOK LI Arch.
DATE: 2008.12.02

1 - SEE ADDENDUM 1 BID OPPORTUNITY 878-2008 MMK 2008.12.05
-DELETE 3/4 HR RATING & DELETE HARDWARE GROUP #3 FOR DOORS D112 & D205 & CHANGE TO HARDWARE GROUP #1

| NO. | REVISION/DESCRIPTION | BY | DATE |
|-------|----------------------|----|------|
| SEALS | | | |

DRAWN BY: MMK **CHECKED BY:** USER **APPROVED:** USER
DATE: 2008.11.25

CITY OF WINNIPEG
PLANNING, PROPERTY AND DEVELOPMENT DEPARTMENT
CIVIC ACCOMMODATIONS DIVISION
300 - 65 GARRY ST. R3C 4K4

PROJECT:
SURPLUS STORAGE FACILITY
MAIN & SECOND FLOOR RENOVATION

311 ROSS AVENUE
SHEET TITLE:

WASHROOM & JANITOR ELEVATIONS
DOOR & ROOM FINISH SCHEDULES,
DETAILS & FINISHES

SCALE: AS SHOWN **PROJECT NO.:** 2008-016-02 **SHEET NO.:** A7R1