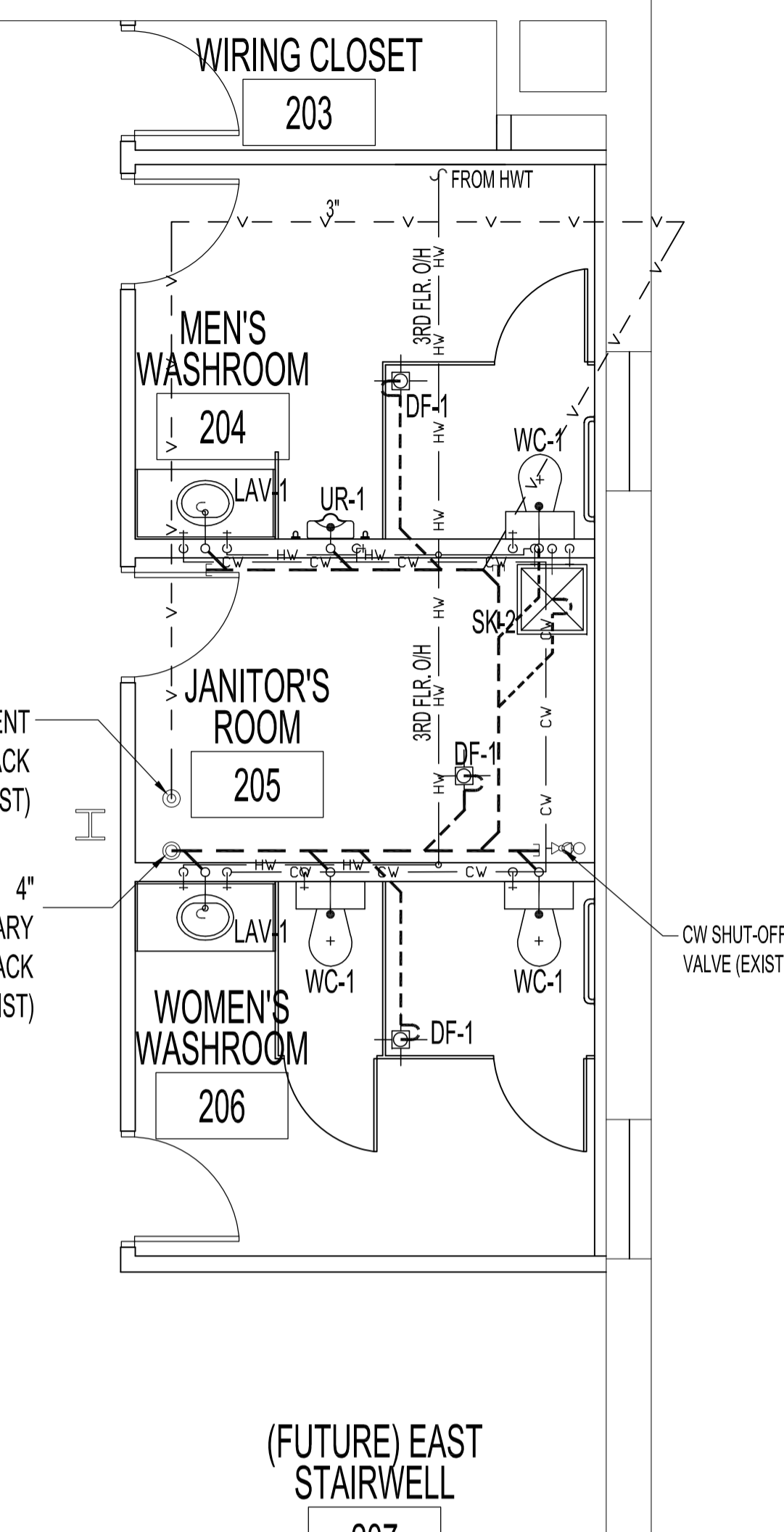
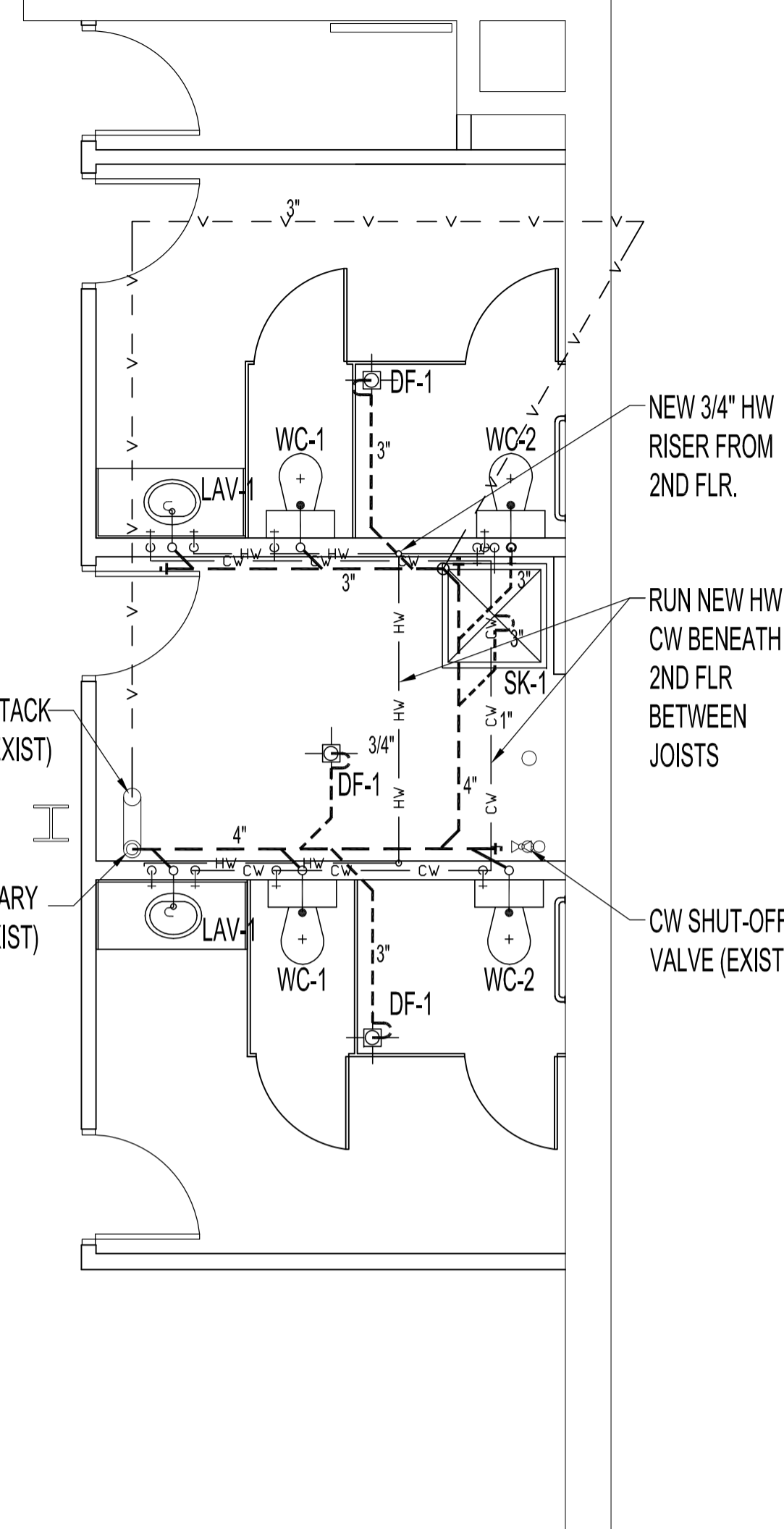
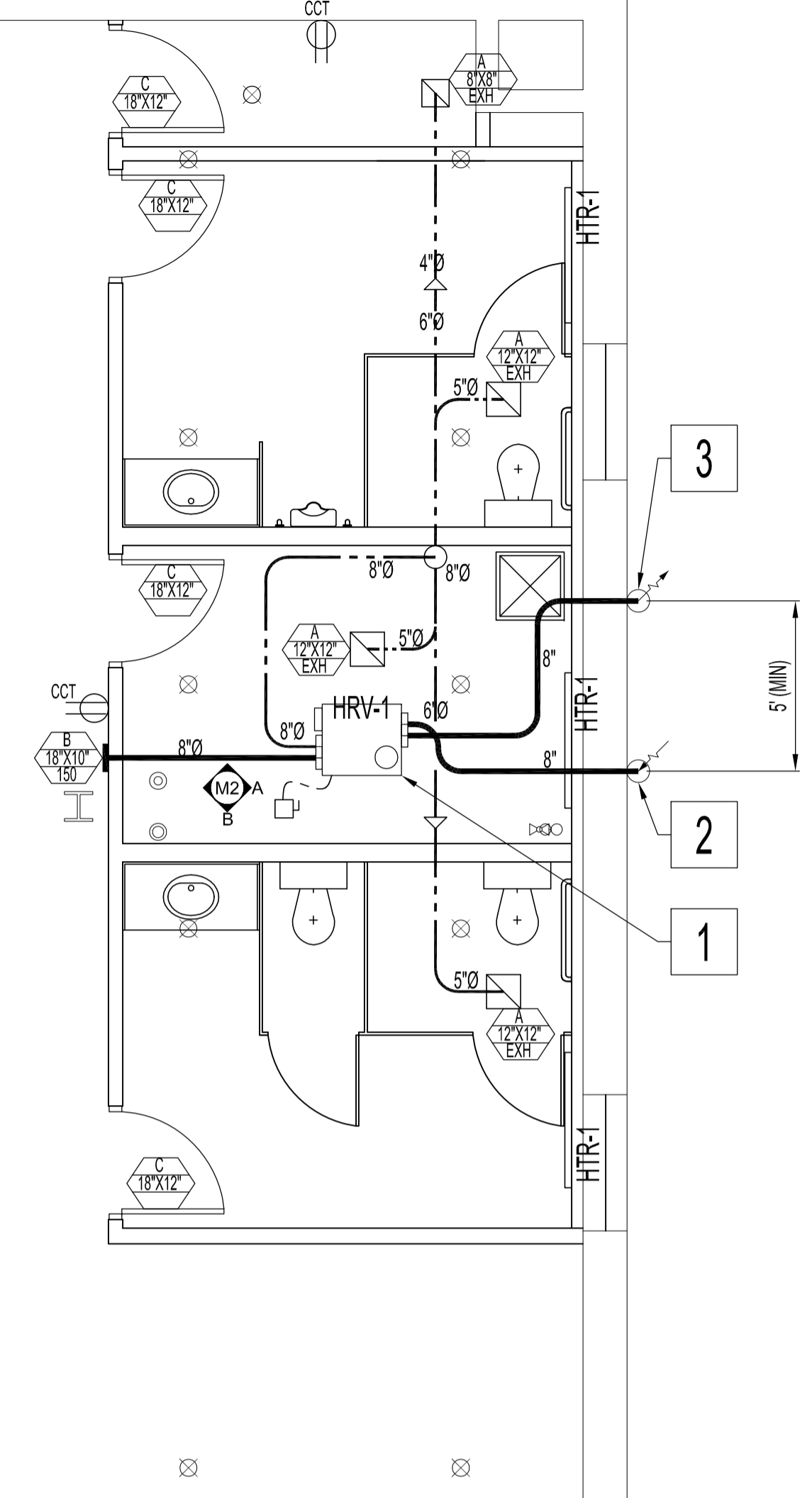
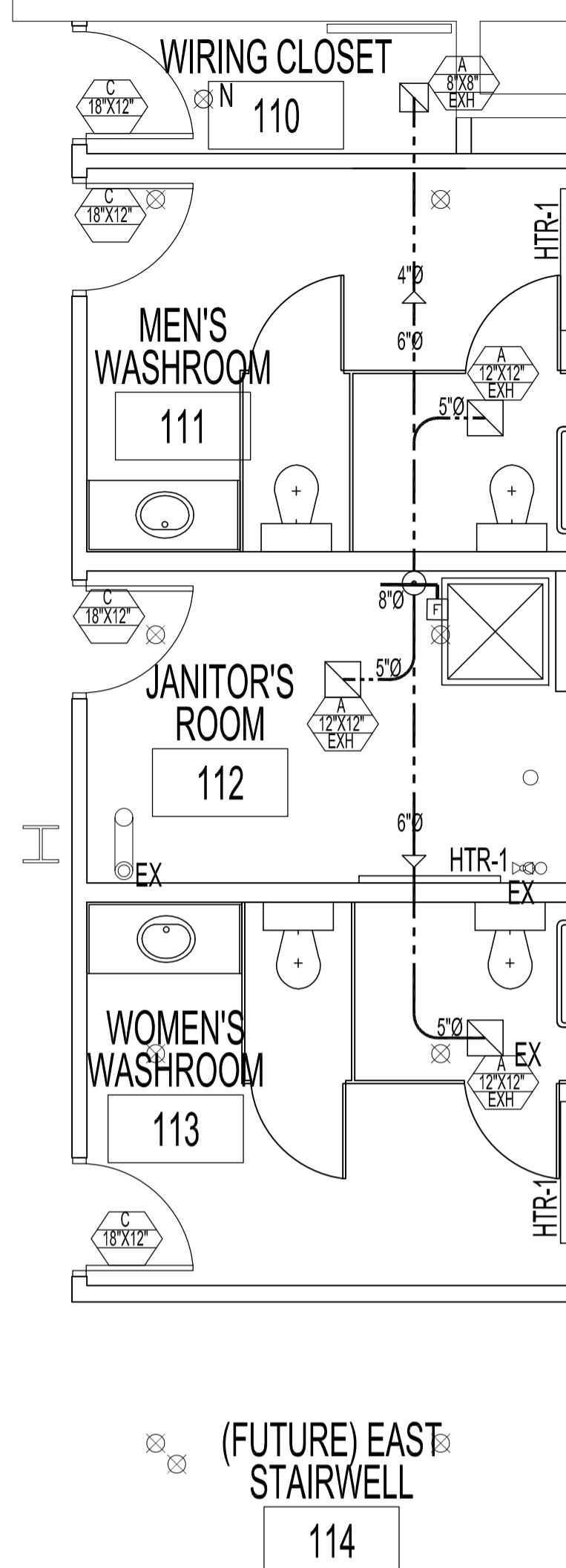


NOTES :
SEE SHEET ME1 NOTES.

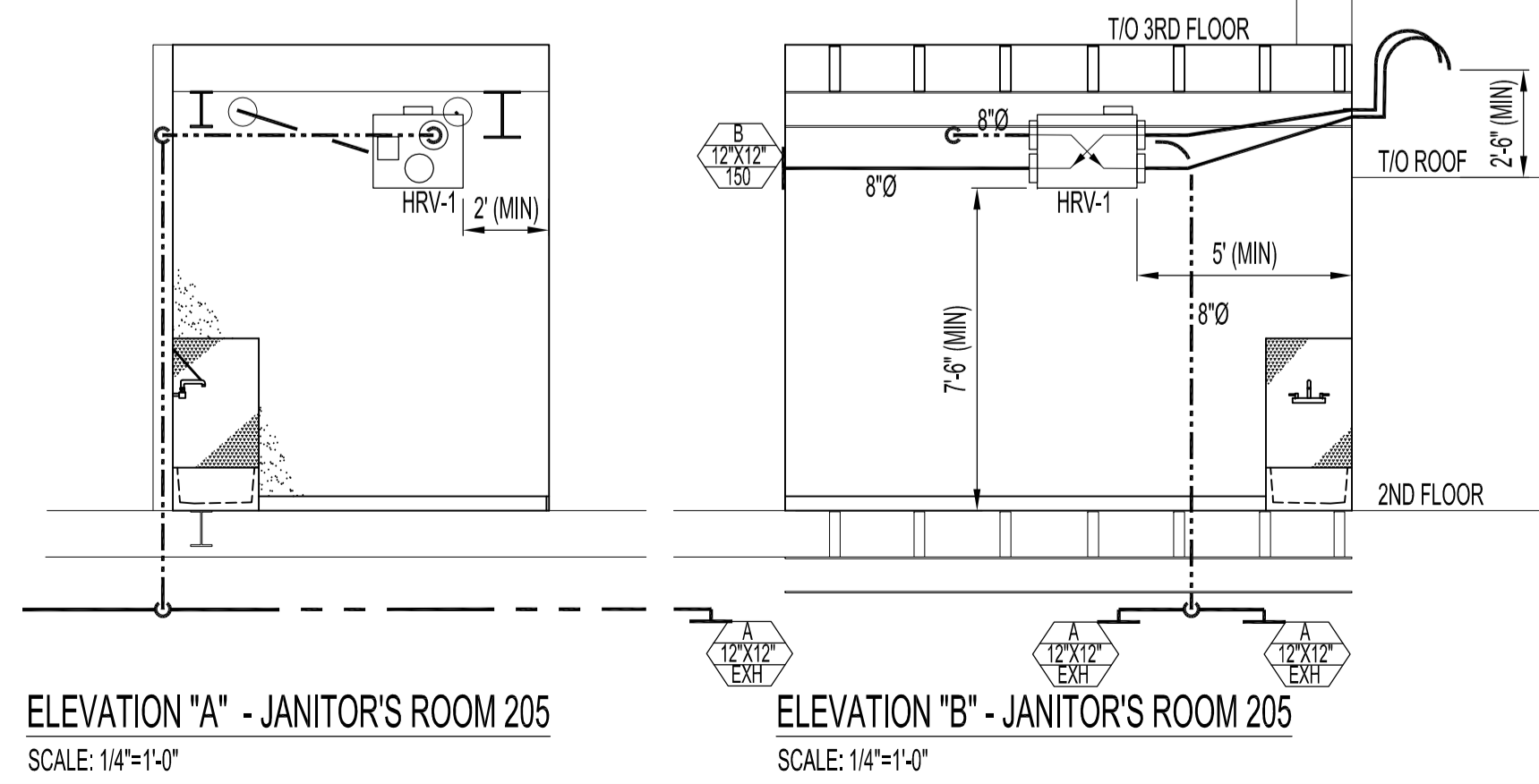


PARTIAL MAIN FLOOR PLAN - RENOVATION
SCALE: 1/4"=1'-0"
1

PARTIAL SECOND FLOOR PLAN - RENOVATION
SCALE: 1/4"=1'-0"
1

PARTIAL MAIN FLOOR PLAN - PLUMBING RENOVATION
SCALE: 1/4"=1'-0"
1

PARTIAL SECOND FLOOR PLAN - PLUMBING RENOVATION
SCALE: 1/4"=1'-0"
1



PLUMBING SCHEDULE (SUPPLY & INSTALL)				
TAG	TYPE	DESCRIPTION	REMARK	
WC-1	WC	CAROMA, CARAVELLE 270, DUAL FLUSH (8/3) LITRES, VITREOUS CHINA, CW TOILET SEAT, RAISED PUSH-BUTTON OPTION, CAROMA SCREWFIXING KIT CODE No.601150, COLOR: WHITE, CLOSET SUPPLIES.DELTA.47T1316SD.		
WC-2	WC	CAROMA, CARAVELLE 270 ADA, DUAL FLUSH (8/3) LITRES, VITREOUS CHINA, CW TOILET SEAT, RAISED PUSH-BUTTON OPTION, CAROMA SCREWFIXING KIT CODE No.601150, COLOR: WHITE, CLOSET SUPPLIES.DELTA.47T1316SD.		
UR-1	UR	AMERICAN STANDARD 'WASHBROOK' #6501.010 'LOW CONSUMPTION' URINAL, WALL HUNG FOR FLUSH VALVE, VITREOUS CHINA, WASH OUT FLUSH ACTION 0.84 GAL. (3.8L) FLUSH, EXTENDED SIDES FOR PRIVACY, INTEGRAL FLUSH SPREADER, 3/4" (19MM) TOP SPUD, WALL HANGERS, OPEN TRAP, #47068-0070A STRAINER, REMOVABLE STAINLESS STEEL, 2" (50MM) OUTLET, CONNECTING FLANGE WITH GASKET AND BOLTS. SLOWAN REGAL' #186-1-AL FLUSH VALVE, C.P. LOW CONSUMPTION FACTORY SET FLOW, QUIET ACTION DIAPHRAGM TYPE WITH NON-HOLD OPEN FEATURE, VACUUM BREAKER AND BACK CHECK ANGLE STOP, SMITH SERIES #304-1615 URINAL WALL ACCESS CLEANOUT, WITH ROUND STAINLESS STEEL FACE AND V.P. SCREW, SMITH SERIES #6037 CARRIER, WITH STEEL PIPE LEGS, BLOCK BASE FEET SUPPORTS AND BEARING PLATES.		
LAV-1	LAV	AMERICAN STANDARD 'CADET UNIVERSAL ACCESS' #9494.001 BASIN, 4" CENTERS, 21" X 17-1/2" X 5-1/4" - 6-7/8" DEEP, COUNTER MOUNTED, VITREOUS CHINA, REAR OVERFLOW, SELF-RIMMING WITH SEALANT, SYMONS #5-20-1ST FAUCET, C.P. 4" C.C. BRASS LEAD-FREE WATERWAYS BODY, CERAMIC DISC VALVE CARTRIDGE, WITH 1.84 GPM FLOW AERATOR OUTLET, SINGLE CONTROL METAL LEVER HANDLE, AND 3/8" SUPPLY TUBES, MCGUIRE #155WC DRAIN, C.P. OFFSET OPEN GRID, MCGUIRE #170BVRB SUPPLIES, C.P., POLISHED, SHORT RIGID HORIZONTAL INTEGRAL SWEAT TUBES WITH V.P. COMBINATION WHEEL HANDLE/LOOSE KEY BALL VALVE ANGLE STOPS, AND ESCUTCHEONS, LESS BRAIDED FLEXIBLE RISERS, MCGUIRE #8872C-1TT 'P' TRAP, C.P. 17 GAUGE, 1-1/4" AND ESCUTCHEON, ATS SPEC #BF-1 'SANITARY SAFETY-COVERS' TO EXPOSED PIPING AS PER LOCAL CODES.		
SK-1	SK	STERN-WILLIAMS MODEL HL-2010 MOP SERVICE BASIN, 36" X 36" X 12" DEEP, 6" FRONT DROP IN STAINLESS STEEL, CAP ALL SIDES, DRAIN SHALL BE CAST BRASS WITH STAINLESS STEEL STRAINER CAST INTEGRAL, AND SHALL PROVIDE FOR A CALKED LEAD CONNECTION NOT LESS THAN 1" DEEP TO A 3" PIPE, RECEPTOR COMPOSED OF PEARL, GRAY MARBLE CHIPS AND WHITE PORTLAND CEMENT GROUND SMOOTH, GROUTED AND SEALED TO RESISTED STAINS, STAINLESS STEEL CAP OF ONE-PIECE 20 GA. 302 STAINLESS STEEL INTEGRAL ON THRESHOLD, STERN-WILLIAMS #1-0-4 FAUCET, C.P. 8" C.C. WALL MOUNTED, SOLID CAST BRASS BODY, WITH CAST METAL HANDLES, VACUUM BREAKER, INTEGRAL STOPS, #1-35 S.S. BRACKET, 3/8" HOSE WITH C.P. COUPLING, #1-40 S.S. MOP (TRIPLE) HANGER, 'P' TRAP, 3".		

PLUMBING SCHEDULE (SUPPLY & INSTALL)				
TAG	TYPE	DESCRIPTION	REMARK	
SK-2	SK	STERN-WILLIAMS #HTS-2424 MOP SINK, 24" X 24" X 10" DEEP, FLOOR MOUNTED, PRECAST TERRAZZO AND INTEGRAL DRAIN WITH STRAINER, STERN-WILLIAMS #T-10-VB FAUCET, C.P. 8" C.C. WALL MOUNTED, SOLID CAST BRASS BODY, WITH CAST METAL HANDLES, VACUUM BREAKER, INTEGRAL STOPS, #1-35 S.S. BRACKET, 3/8" HOSE WITH C.P. COUPLING, #1-40 S.S. MOP (TRIPLE) HANGER, 'P' TRAP, 3".		
DF-1	DF	SMITH SERIES 2055A FLOOR DRAIN, ALL DUCCO COATED CAST IRON BODY, REVERSIBLE FLASHING CLAMP WITH SEEPAGE OPENINGS AND ADJUSTABLE 5" DIAMETER NICKEL BRONZE 1/4" THICK STRAINER, SECURED WITH S.S. SCREWS, 4" THROAT ON STRAINER, IN QUARRY OR MOSAIC TILED AREAS, PROVIDE 8" - 5" X 5" SQUARE NICKEL BRONZE STRAINER, (WHERE REQUIRED BY LOCAL CODE PROVIDE TRAP PRIMER CONNECTION 'P').		

- MECHANICAL/PLUMBING RENOVATION NOTES:**
- SUPPLY & INSTALL HEAT RECOVERY VENTILATOR, HRV-1, AS SHOWN IN COMPLIANCE WITH MANUFACTURER'S INSTALLATION INSTRUCTIONS & MECHANICAL & ELECTRICAL SPECIFICATIONS. HRV-1 SHALL OPERATE CONTINUOUSLY ON LOW-SPEED, ANY LIGHT SWITCHES ENERGIZED FROM NEW WIRING CLOSETS, JANITOR'S ROOM, & WASHROOMS SHALL ACTIVATE HRV-1 TO HIGH-SPEED THEN TO LOW-SPEED (10 MINUTES MINIMUM) WHEN LIGHT SWITCH IS TURNED OFF. DIRECT DRAIN TO NEW FLOOR DRAIN, MOUNT DISCONNECT SWITCH ON CEILING, SUPPLY & INSTALL FIRE DAMPER (SEE GRILLE SCHEDULE) AT FLOOR PENETRATION.
 - SUPPLY & INSTALL INSULATED 8" DIAMETER RIGID GALVANIZED DUCT FROM HRV-1 TO EXTERIOR WALL, SUPPLY & INSTALL 8" DIAMETER RIGID GALVANIZED GOOSE NECK DUCT WITH BIRD SCREEN FOR NEW 8" DIAMETER INTAKE, INTAKE OPENING SHALL BE 30 INCH (MINIMUM) FROM TOP OF FINISH ROOF & 5 FEET (MINIMUM) FROM HRV-1 EXHAUST, AS SHOWN.
 - SUPPLY & INSTALL INSULATED 8" DIAMETER RIGID GALVANIZED DUCT FROM HRV-1 TO EXTERIOR WALL, SUPPLY & INSTALL 8" DIAMETER RIGID GALVANIZED GOOSE NECK DUCT WITH BACKDRAFT DAMPER FOR NEW 8" DIAMETER EXHAUST, EXHAUST OPENING SHALL BE 30 INCH (MINIMUM) FROM TOP OF FINISH ROOF, AS SHOWN.

1 MEN'S WASHROOM 111 - WATER CLOSET BESIDE LAVATORY WAS DTA 2008
AN URINAL, ADDED TRANSFER/DOOR GRILLES. 1205

NO.	REVISION/DESCRIPTION	BY	DATE
1			

DRAWN BY	DTA	CHECKED BY	APPROVED
DATE	2008.12.01	USER	APPROVAL

CITY OF WINNIPEG
PLANNING, PROPERTY AND
DEVELOPMENT DEPARTMENT
CIVIC ACCOMMODATIONS DIVISION
300 - 65 GARRY ST. R3C 4K4

PROJECT
SURPLUS STORAGE FACILITY
MAIN & SECOND FLOOR RENOVATION

311 ROSS AVENUE
SHEET TITLE

PARTIAL FLOOR PLANS & ELEVATIONS
RENOVATION
MECHANICAL/PLUMBING

SCALE	PROJECT NO.	SHEET NO.
AS SHOWN	2008-016-02	M2R1